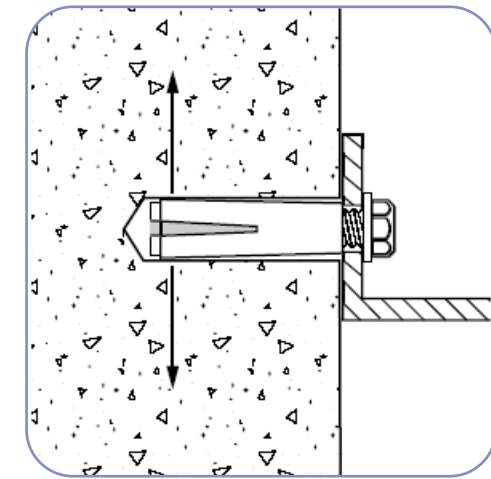
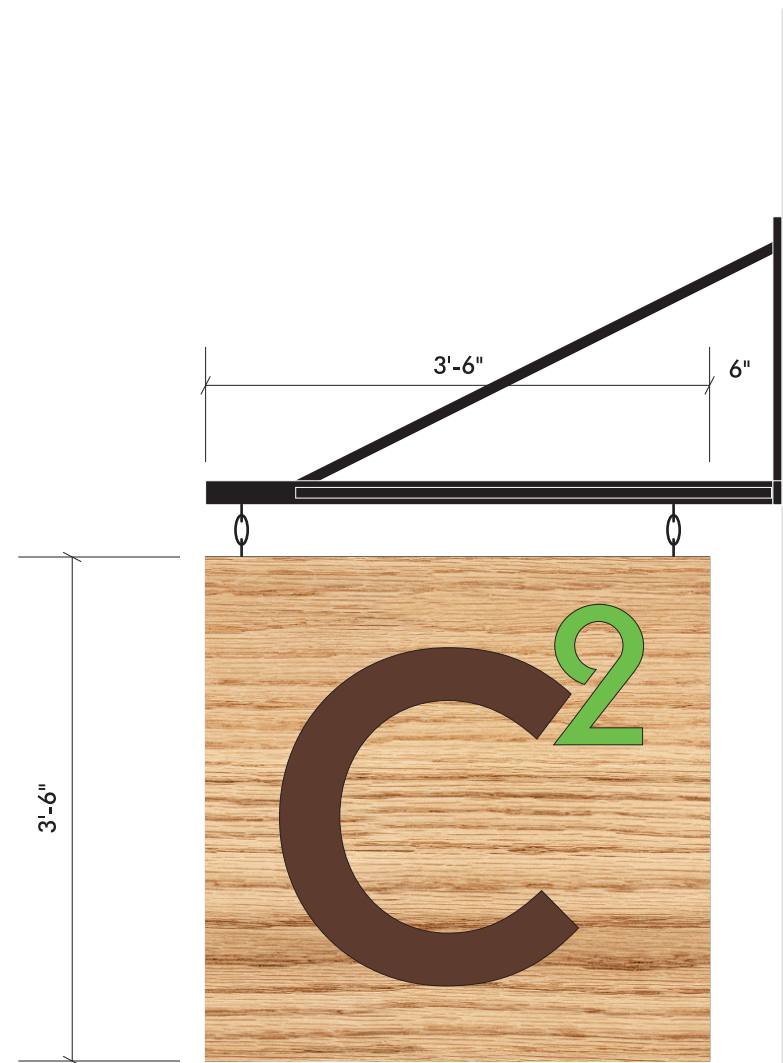


TOP VIEW



LOK-BOLT™ ANCHORING SYSTEM AS MFG BY POWERS FASTENERS, NEW ROCHELLE, NY OR EQUAL:

A PRE-ASSEMBLED SINGLE UNIT SLEEVE ANCHOR FOR ANCHORING INTO SOLID AND HOLLOW CONCRETE AND MASONRY SUBSTRATES

PATENTED COMPRESSION RING PULLS FIXTURE FLUSH TO THE WORK SURFACE

AVAILABLE IN CARBON STEEL AND TYPE 304 STAINLESS STEEL; SEVERAL HEAD STYLES

SIZE RANGE: 1/4" DIA. x 5/8" TO 3/4" DIA. x 7 1/2"

SLEEVE-ANCHOR MOUNTING DETAIL  
NOT TO SCALE



PHOTO COMPOSITE  
NOT TO SCALE

CEDAR WOOD BACKGROUND 1 3/4" DEEP, CLEAR FINISH,  
INLAID GRAPHICS:  
'C' - .080" ALUMINUM PAINTED BROWN PMS4625C  
'2' - .080" ALUMINUM PAINTED GREEN PMS363C  
D/A TAPE MOUNTING IN RECESS

SIGN HANGS ON S-HOOKS/EYE BOLTS ON 2" ALUMINUM  
SQUARE TUBE MAST ARM WITH WELDED MOUNTING PLATE  
AND SUPPORTS, PAINTED BLACK  
SECURED TO WALL, MOUNTING HARDWARE AS NEEDED

DOUBLE FACE NON-LIT PROJECTING SIGN  
SCALE: 3/4" = 1'-0" (1) REQUIRED

**Eastland Park Hotel  
17641**

**PERMIT DRAWING**

Location: 157 High Street  
Portland, Maine  
Drawing No.: 1 of 3  
Drawn by: PFAT Rep.: RS  
Date: 11.27.2013  
Lead No.: HL020410  
Gen Ref.:



Neokraft Signs Inc. <http://www.neokraft.com>  
686 Main Street T:207.782.9654 F:782.0009  
Lewiston, Maine 04240 1.800.339.2258  
© COPYRIGHT 2013, BY NEOKRAFT SIGNS, INC.