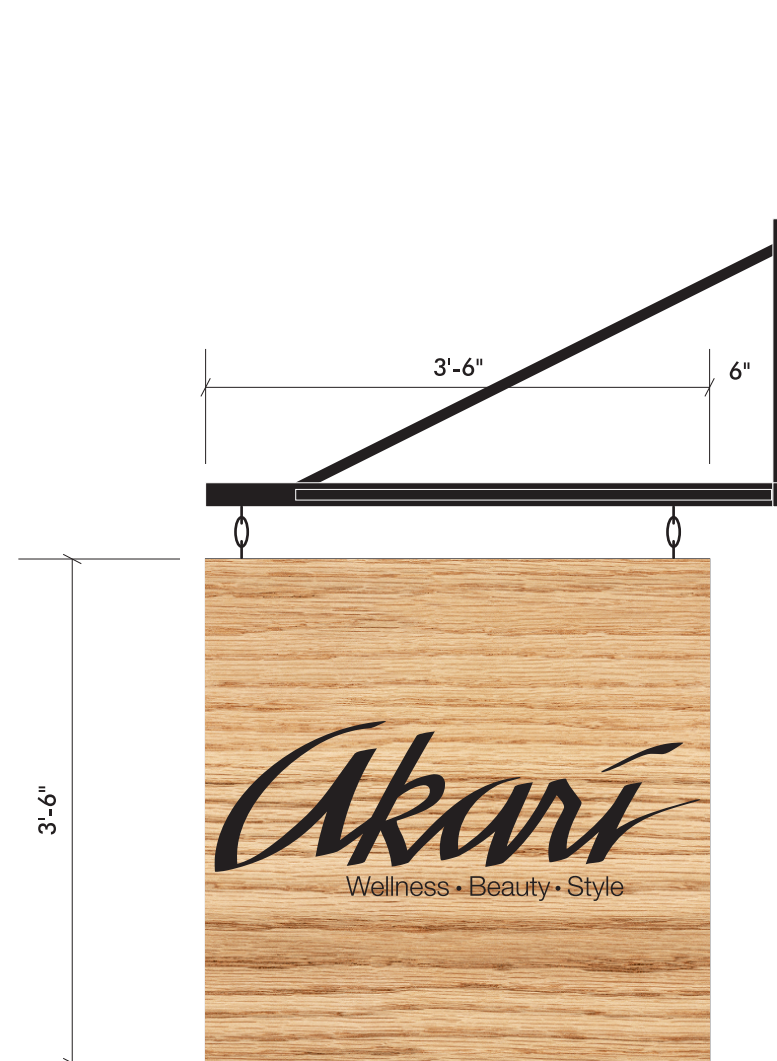


TOP VIEW



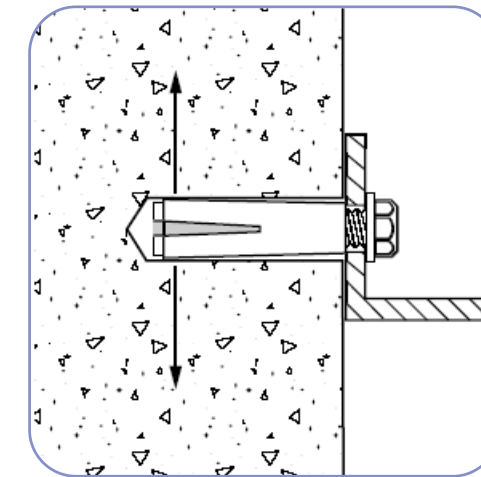
PHOTO COMPOSITE
NOT TO SCALE



CEDAR WOOD BACKGROUND 1 3/4" DEEP, CLEAR FINISH,
INLAID GRAPHICS:
'C' - .080" ALUMINUM PAINTED BROWN PMS4625C
'2' - .080" ALUMINUM PAINTED GREEN PMS363C
D/A TAPE MOUNTING IN RECESS

SIGN HANGS ON S-HOOKS/EYE BOLTS ON 2" ALUMINUM
SQUARE TUBE MAST ARM WITH WELDED MOUNTING PLATE
AND SUPPORTS, PAINTED BLACK
SECURED TO WALL, MOUNTING HARDWARE AS NEEDED

DOUBLE FACE NON-LIT PROJECTING SIGN
SCALE: 3/4" = 1'-0" (1) REQUIRED



LOK-BOLT™ ANCHORING SYSTEM AS MFG BY POWERS
FASTENERS, NEW ROCHELLE, NY OR EQUAL:

A PRE-ASSEMBLED SINGLE UNIT SLEEVE ANCHOR FOR
ANCHORING INTO SOLID AND HOLLOW CONCRETE AND
MASONRY SUBSTRATES

PATENTED COMPRESSION RING PULLS FIXTURE FLUSH TO
THE WORK SURFACE

AVAILABLE IN CARBON STEEL AND TYPE 304 STAINLESS
STEEL; SEVERAL HEAD STYLES

SIZE RANGE: 1/4" DIA. x 5/8" TO 3/4" DIA. x 7 1/2"

SLEEVE-ANCHOR MOUNTING DETAIL
NOT TO SCALE

Eastland Park Hotel
17641

PERMIT DRAWING

Location: 157 High Street

Portland, Maine

Drawing No.: 2 of 3

Drawn by: PFAT Rep.: RS

Date: 11.27.2013

Lead No.: HL020410

Gen Ref.:



Neokraft Signs Inc. <http://www.neokraft.com>
686 Main Street T:207.782.9654 F:782.0009
Lewiston, Maine 04240 1.800.339.2258

© COPYRIGHT 2013, BY NEOKRAFT SIGNS, INC.