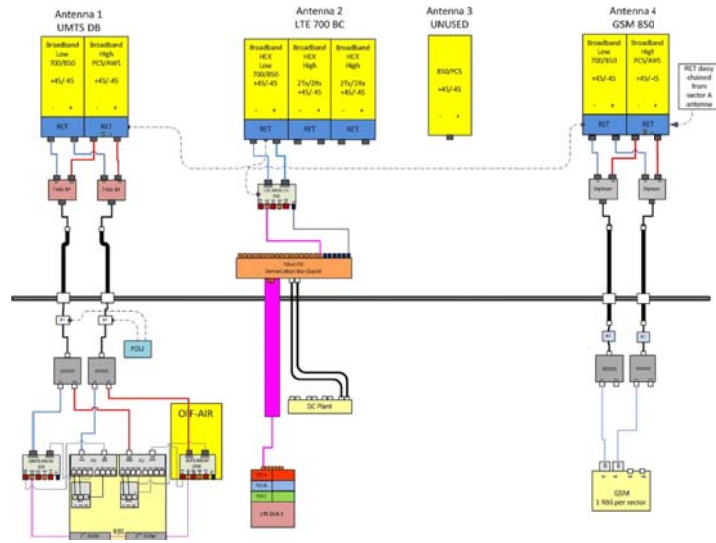
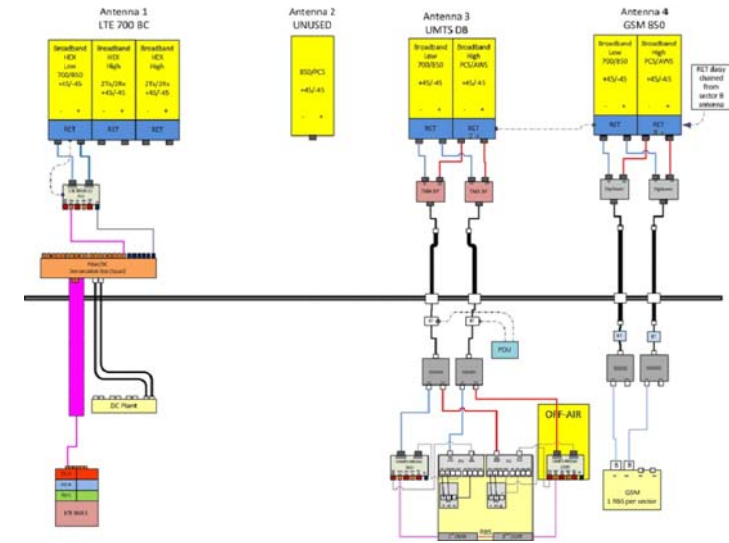


**ALPHA PLUMBING DIAGRAM** 1  
SCALE: N.T.S. RF-1



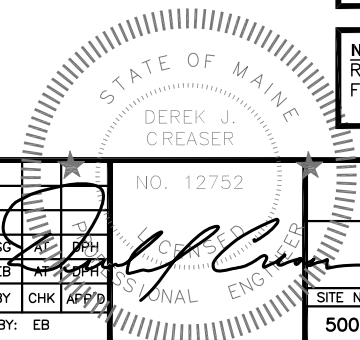
**BETA PLUMBING DIAGRAM** 2  
SCALE: N.T.S. RF-1



**GAMMA PLUMBING DIAGRAM** 3  
SCALE: N.T.S. RF-1

**NOTE:**  
1. CONTRACTOR TO CONFIRM ALL PARTS.  
2. INSTALL ALL EQUIPMENT TO MANUFACTURER'S RECOMMENDATIONS

**NOTE:**  
REFER TO THE FINAL RF DATA SHEET FOR FINAL ANTENNA SETTINGS.



**Hudson Design Group LLC**  
1600 OSGOOD STREET  
BUILDING 20 NORTH, SUITE 3090  
N. ANDOVER, MA 01845  
TEL: (978) 557-5553  
FAX: (978) 336-5586

**SAI**  
27 NORTHWESTERN DR.  
SALEM, NH 03079

**SITE NUMBER: ME5001**  
**SITE NAME: SONESTA**  
157 HIGH STREET  
PORTLAND, ME 04101  
CUMBERLAND COUNTY

**at&t**  
550 COCHITUATE ROAD  
FRAMINGHAM, MA 01701

NO.	DATE	REVISIONS	BY	CHK	APP'D
1	06/01/16	ISSUED FOR CONSTRUCTION	SC	AT	EB
A	04/19/16	ISSUED FOR REVIEW	EB	AT	PH
SCALE: AS SHOWN		DESIGNED BY: AT	DRAWN BY: EB		

NO. 12752  
STATE OF MAINE  
DEREK J. CREASER  
PROFESSIONAL ENGINEER

**AT&T**  
**RF PLUMBING DIAGRAM (LTE)**  
SITE NUMBER: 5001.00  
DRAWING NUMBER: RF-1  
REV: 1