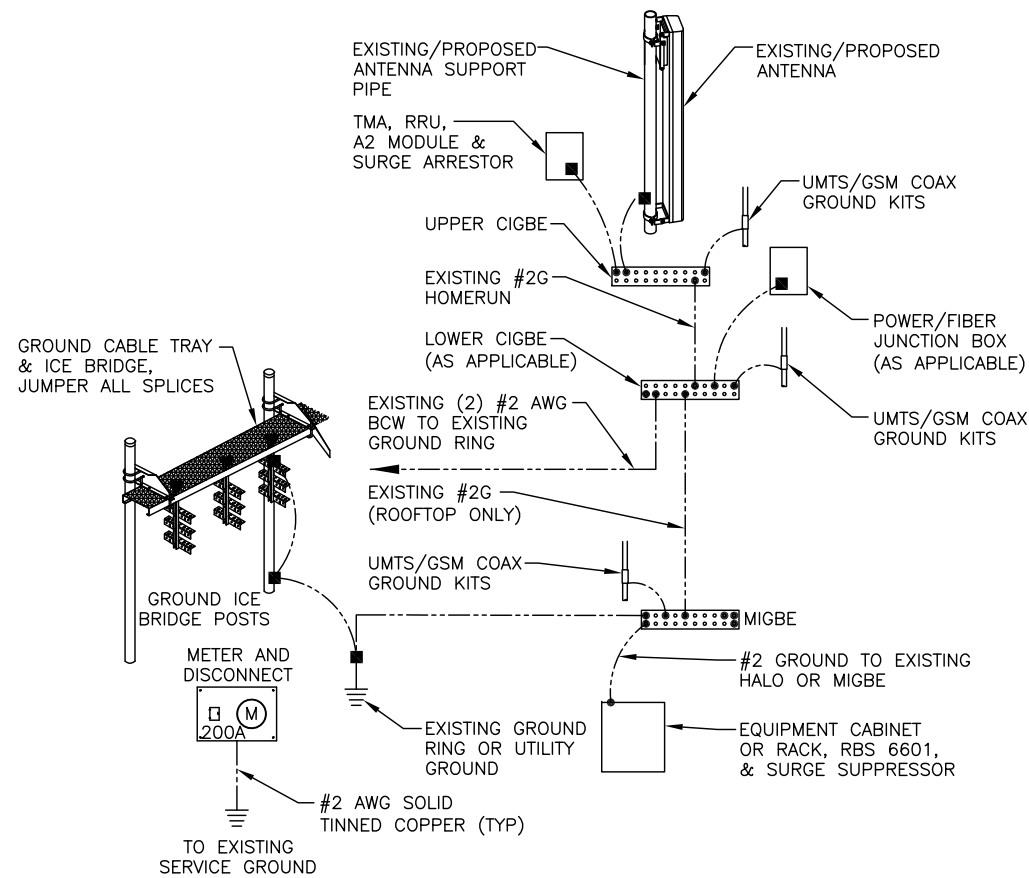


GROUND WIRE TO GROUND BAR CONNECTION DETAIL

SCALE: N.T.S

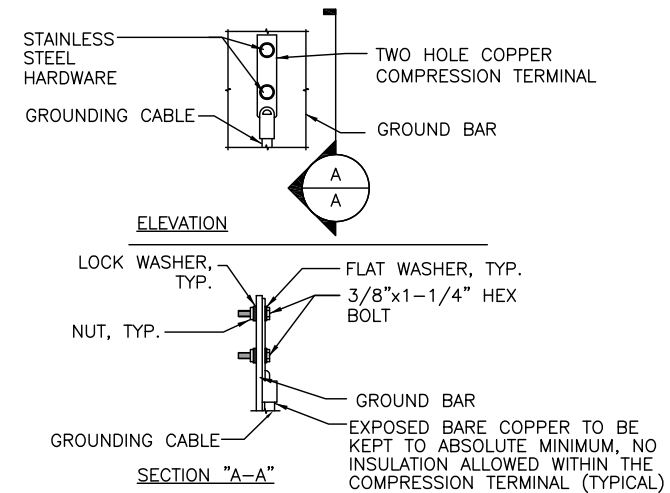
1
G-1



GROUNDING RISER DIAGRAM

SCALE: N.T.S

2
G-1



NOTE:

- "DOUBLING UP" OR "STACKING" OF CONNECTION IS NOT PERMITTED.
- OXIDE INHIBITING COMPOUND TO BE USED AT ALL LOCATION.
- CADWELD DOWNLEADS FROM UPPER EGB, LOWER EGB, AND MGB

TYPICAL GROUND BAR CONNECTION DETAIL

SCALE: N.T.S

3
G-1

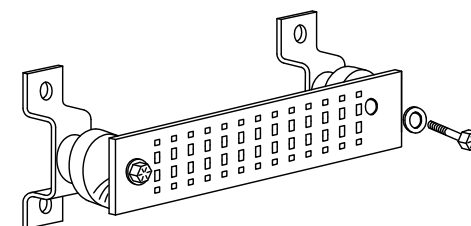
EACH GROUND CONDUCTOR TERMINATING ON ANY GROUND BAR SHALL HAVE AN IDENTIFICATION TAG ATTACHED AT EACH END THAT WILL IDENTIFY ITS ORIGIN AND DESTINATION.

SECTION "P" - SURGE PRODUCERS

- CABLE ENTRY PORTS (HATCH PLATES) (#2)
- GENERATOR FRAMEWORK (IF AVAILABLE) (#2)
- TELCO GROUND BAR
- COMMERCIAL POWER COMMON NEUTRAL/GROUND BOND (#2)
- +24V POWER SUPPLY RETURN BAR (#2)
- 48V POWER SUPPLY RETURN BAR (#2)
- RECTIFIER FRAMES.

SECTION "A" - SURGE ABSORBERS

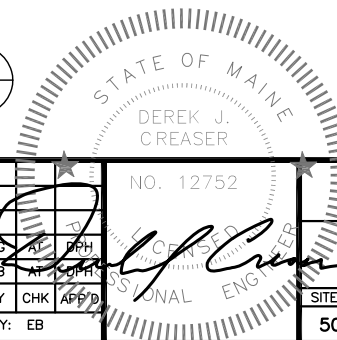
- INTERIOR GROUND RING (#2)
- EXTERNAL EARTH GROUND FIELD (BURIED GROUND RING) (#2)
- METALLIC COLD WATER PIPE (IF AVAILABLE) (#2)
- BUILDING STEEL (IF AVAILABLE) (#2)



GROUND BAR - DETAIL

SCALE: N.T.S

4
G-1



NO.	DATE	REVISIONS	BY	CHK	APP'D
1	06/01/16	ISSUED FOR CONSTRUCTION	SC	AT	EB
A	04/19/16	ISSUED FOR REVIEW	EB	AT	PH

SCALE: AS SHOWN DESIGNED BY: AT DRAWN BY: EB

SITE NUMBER	5001.00
DRAWING NUMBER	G-1
REV	1

AT&T	
GROUNDING DETAILS (LTE)	
SITE NUMBER	5001.00
DRAWING NUMBER	G-1
REV	1