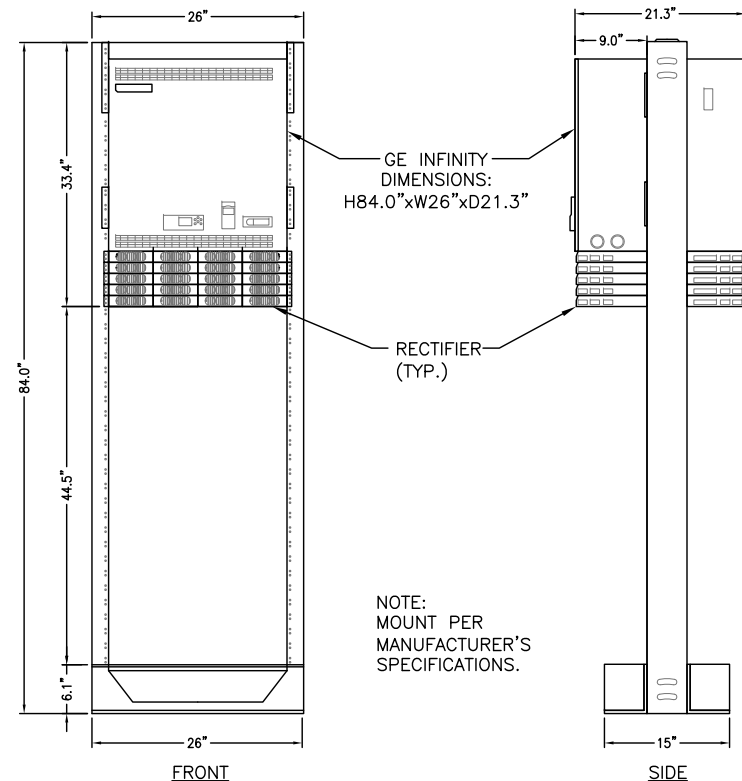


EXISTING ANTENNA SCHEDULE				PROPOSED ANTENNA SCHEDULE			
SECTOR	MAKE	MODEL#	SIZE (INCHES)	SECTOR	MAKE	MODEL#	SIZE (INCHES)
ALPHA:	POWERWAVE	7770	55X11X5	ALPHA:	POWERWAVE	7770	55X11X5
	POWERWAVE	7733	53X11X5		POWERWAVE	7770	55X11X5
	POWERWAVE	7733	53X11X5		POWERWAVE	7733	53X11X5
	POWERWAVE	7770	55X11X5		ANDREW	SBNHH-1D65A	55X11.9X7.1
ALPHA:	POWERWAVE	7770	55X11X5	BETA:	POWERWAVE	7770	55X11X5
	POWERWAVE	7733	53X11X5		ANDREW	SBNHH-1D65A	55X11.9X7.1
	POWERWAVE	7733	53X11X5		POWERWAVE	7733	53X11X5
	POWERWAVE	7770	55X11X5		POWERWAVE	7770	55X11X5
ALPHA:	POWERWAVE	7770	55X11X5	GAMMA:	ANDREW	SBNHH-1D65A	55X11.9X7.1
	POWERWAVE	7733	53X11X5		POWERWAVE	7733	53X11X5
	POWERWAVE	7733	53X11X5		POWERWAVE	7770	55X11X5
	POWERWAVE	7770	55X11X5		POWERWAVE	7770	55X11X5



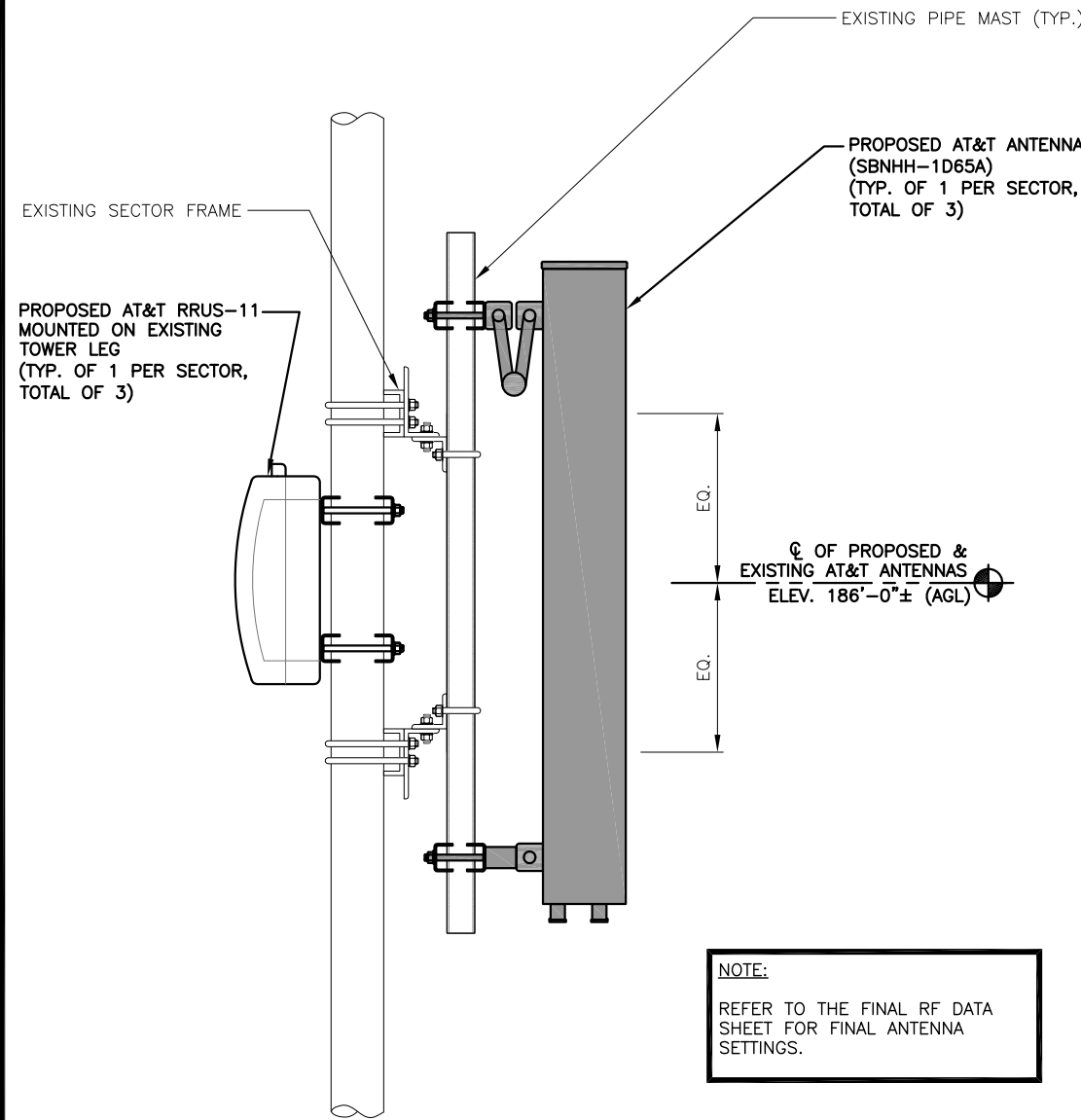
GE INFINITY POWER PLANT 5
SCALE: N.T.S. A-4

NOTE:
AN ASSESSMENT FOR THE CAPACITY OF THE EXISTING ANTENNA MOUNT TO SUPPORT THE PROPOSED LOADING HAS BEEN COMPLETED BY: HUDSON DESIGN GROUP, LLC. DATED: MAY 05, 2016

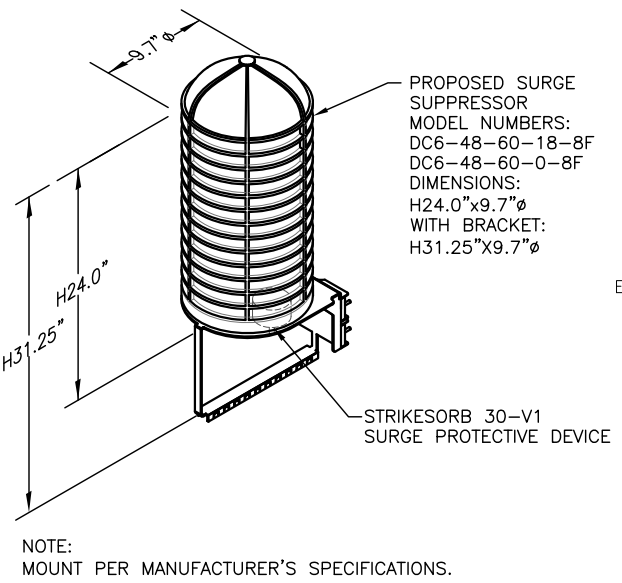
NOTE:
REFER TO STRUCTURAL ANALYSIS BY: HUDSON DESIGN GROUP, LLC, DATED: MAY 31, 2016, FOR THE CAPACITY OF THE EXISTING STRUCTURES TO SUPPORT THE PROPOSED EQUIPMENT.

NOTE:
REFER TO TOWER STRUCTURAL ANALYSIS BY: HUDSON DESIGN GROUP, LLC, DATED: APRIL 26, 2016, FOR THE CAPACITY OF THE EXISTING STRUCTURES TO SUPPORT THE PROPOSED EQUIPMENT.

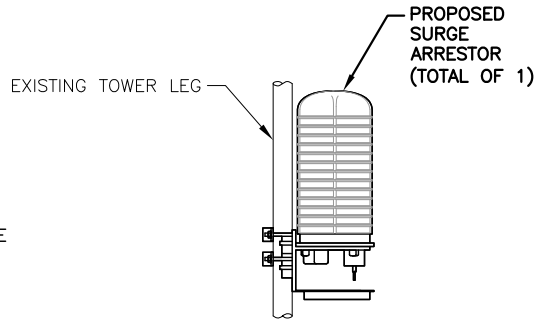
NOTE:
REFER TO THE FINAL RF DATA SHEET FOR FINAL ANTENNA SETTINGS.



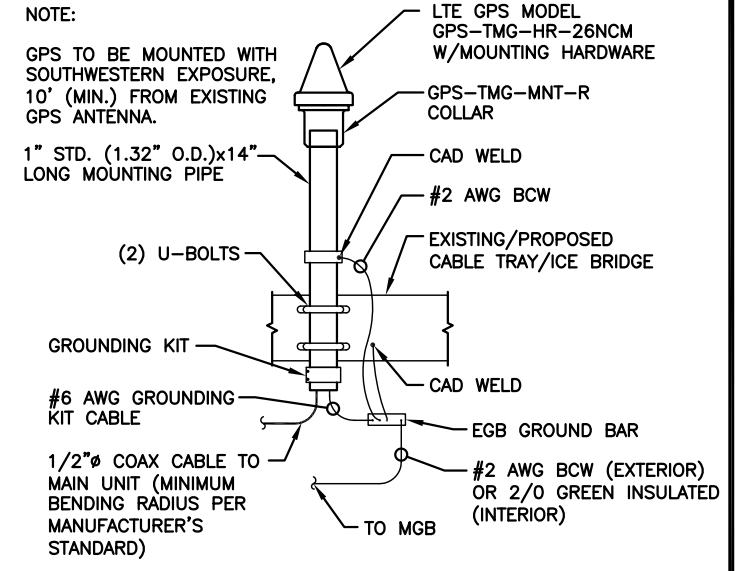
PROPOSED ANTENNA & RRU MOUNTING DETAIL 1
22x34 SCALE: 1-1/2"=1'-0"
11x17 SCALE: 3/4"=1'-0"
SCALE: N.T.S. A-4



DC SURGE SUPPRESSOR DETAIL 2
SCALE: N.T.S. A-4



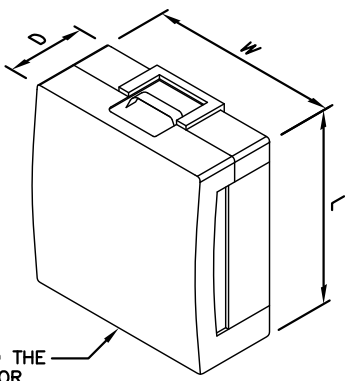
PROPOSED SURGE ARRESTOR MOUNTING DETAIL 3
SCALE: N.T.S. A-4



GPS MOUNTING DETAIL 6
SCALE: N.T.S. A-4

RRU CHART				
QUANTITY	MODEL	L	W	D
3 (P)	RRUS-11	19.7"	17.0"	7.2"
-	RRUS-12	20.4"	18.5"	7.5"
-	RRUS-32	27.2"	12.1"	7.0"
-	RRUS-E2	20.4"	18.5"	7.5"
-	LTE-A2	16.4"	15.2"	3.4"

NOTE:
MOUNT PER MANUFACTURER'S SPECIFICATIONS



RRU DETAIL 4
SCALE: N.T.S. A-4

PROPOSED RRU REFER TO THE FINAL RFDS AND CHART FOR QUANTITY, MODEL AND DIMENSIONS

Hudson Design Group LLC
1600 OSGOOD STREET
BUILDING 20 NORTH, SUITE 3090
N. ANDOVER, MA 01845
TEL: (978) 557-5553
FAX: (978) 336-5586

SAI
27 NORTHWESTERN DR.
SALEM, NH 03079

SITE NUMBER: ME5001
SITE NAME: SONESTA
157 HIGH STREET
PORTLAND, ME 04101
CUMBERLAND COUNTY

at&t
550 COCHITUATE ROAD
FRAMINGHAM, MA 01701

NO.	DATE	REVISIONS	BY	CHK	APP'D
1	06/01/16	ISSUED FOR CONSTRUCTION	SC	AT	EB
A	04/19/16	ISSUED FOR REVIEW	EB	AT	PH

SCALE: AS SHOWN DESIGNED BY: AT DRAWN BY: EB

STATE OF MAINE
DEREK J. CREASER
PROFESSIONAL ENGINEER
NO. 12752

AT&T
DETAILS
(LTE)
SITE NUMBER: 5001.00 DRAWING NUMBER: A-4 REV: 1