

120VAC Remote Visual Signal

Applications

The GXS-120 Series is a high quality remote visual signaling appliance that offers dependable remote annunciation. The GXS-120 is ideal for applications where a dependable visual alarm is required in applications such as hotels, dormitories and apartments.

The GXS-120 Series has a constant flash rate of 1Hz. The GXS-120 Series is provided with a two position terminal block (12-18AWG).

The GXS-120 has a 177 candela strobe that meet the requirements of the ADA. GXS-120 appliances are ANSI/UL 1971 listed and are warranted for three years from the date of purchase.

Standard Features

- Nominal voltage 120VAC
- 177 candela strobe meets the requirements of NFPA 72 and meets the requirements of ADA
- Unit Dimensions: 4.5" high x 4.56" wide x 2.25" deep
- Terminal blocks (12-18 AWG)
- Flash rate 1Hz
- Wide variety of mounting options for new construction and retrofit applications
- ANSI/UL 1971 listed for fire protective service/signal for hearing impaired
- Faceplate available in red or off-white

GXS-120 Series Remote Strobe		
Model Number	Part Number	Candela (ANSI/UL 1971)
GXS-120177WR	904-0780-002	177
GXS-120177WW	904-0758-002	177
GXS-120177CR	904-0781-002	177
GXS-120177CW	904-0759-002	177

GXS-120 Series Strobe Current Ratings	
Candela	177cd
UL Max	209mA

NOTES:

Operating temperature: 32° to 120°F (0° to 49°C)
 GXS-120 Series is **not** listed for outdoor use

"W" = Wall mount "C" = Ceiling mount
 "R" = Red faceplate "W" = Off-White faceplate
 "P" = Plain (no lettering)

The plain "P" units are non-returnable.

G X S - 1 2 0 S E R I E S



Product Listings

SIGNALING



LISTED



- ANSI/UL 1971
- CSFM Listing 7125-569:114
- MEA #285-91-E
- BFP (City of Chicago)

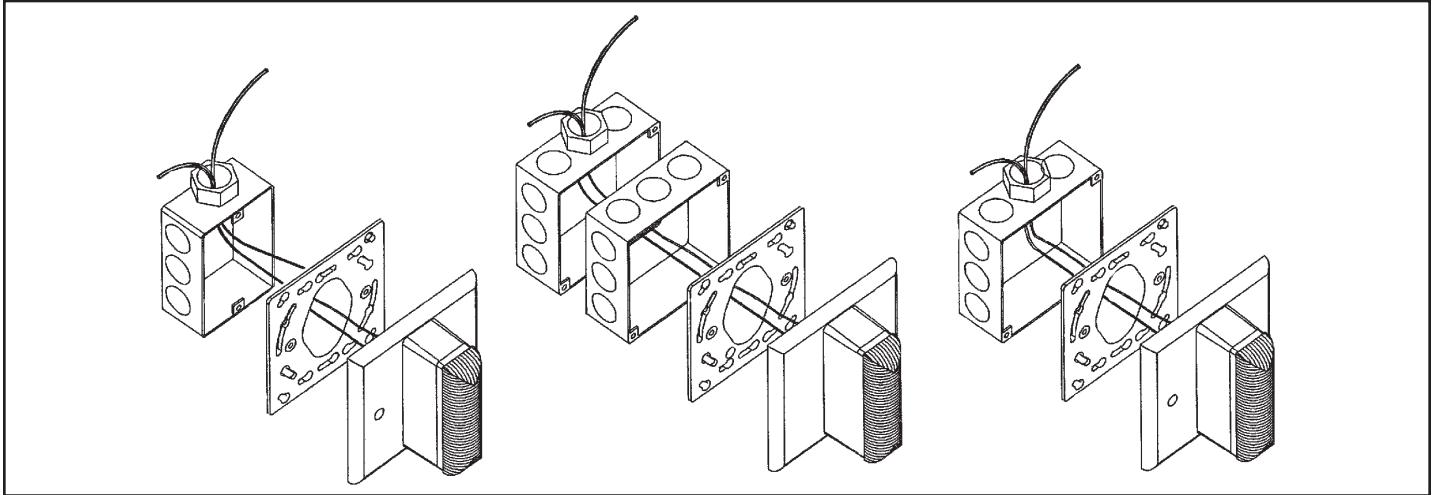
Product Compliance

- Americans with Disabilities Act (ADA)
- NFPA 72
- IBC/IFC/IRC
- Quality Management System is certified to: ISO 9001:2008

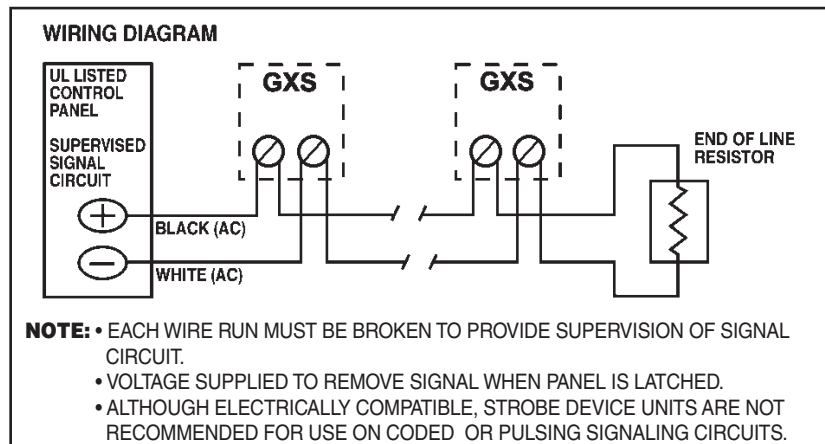


GXS-120 SERIES

Mounting Rough-in Box and Run Wiring



Wiring Diagram GXS-120



Architect & Engineering Specifications

The visual signal shall be the Gentex Model GXS-120 or approved equal. The visual appliance shall be ANSI/UL 1971 listed by Underwriters Laboratories.

The visual appliance shall be installed in accordance with the appropriate provisions of the National Fire Protection Association, American National Standards or other applicable state and local requirements.

The visual signal shall be capable of mounting to a single gang, double gang, double work box or 4" square back box. The visual signal shall have a constant flash rate of 1Hz regardless of listed input voltage.

24 units per carton
12 pounds per carton

GENTEX CORPORATION

Fire Protection Products Group • www.gentex.com
10985 Chicago Drive • Zeeland, Michigan 49464
616.392.7195 • 1.800.436.8391 • 616.392.4219 Fax

Gentex Corporation reserves the right to make changes to the product data sheet at their discretion.

Important Notice:

These materials have been prepared by Gentex Corporation ("Gentex") for informational purposes only, are necessarily summary, and are not purporting to serve as legal advice and should not be used as such. Gentex makes no representations and warranties, express or implied, that these materials are complete and accurate, up-to-date, or in compliance with all relevant local, state and federal laws, regulations and rules. The materials do not address all legal considerations as there is inevitable uncertainty regarding interpretation of laws, regulations and rules and the application of such laws, regulations and rules to particular fact patterns. Each person's activities can differently affect the obligations that exist under applicable laws, regulations or rules. Therefore, these materials should be used only for informational purposes and should not be used as a substitute for seeking professional legal advice. Gentex will not be responsible for any action or failure to act in reliance upon the information contained in this material.

551-0036-03