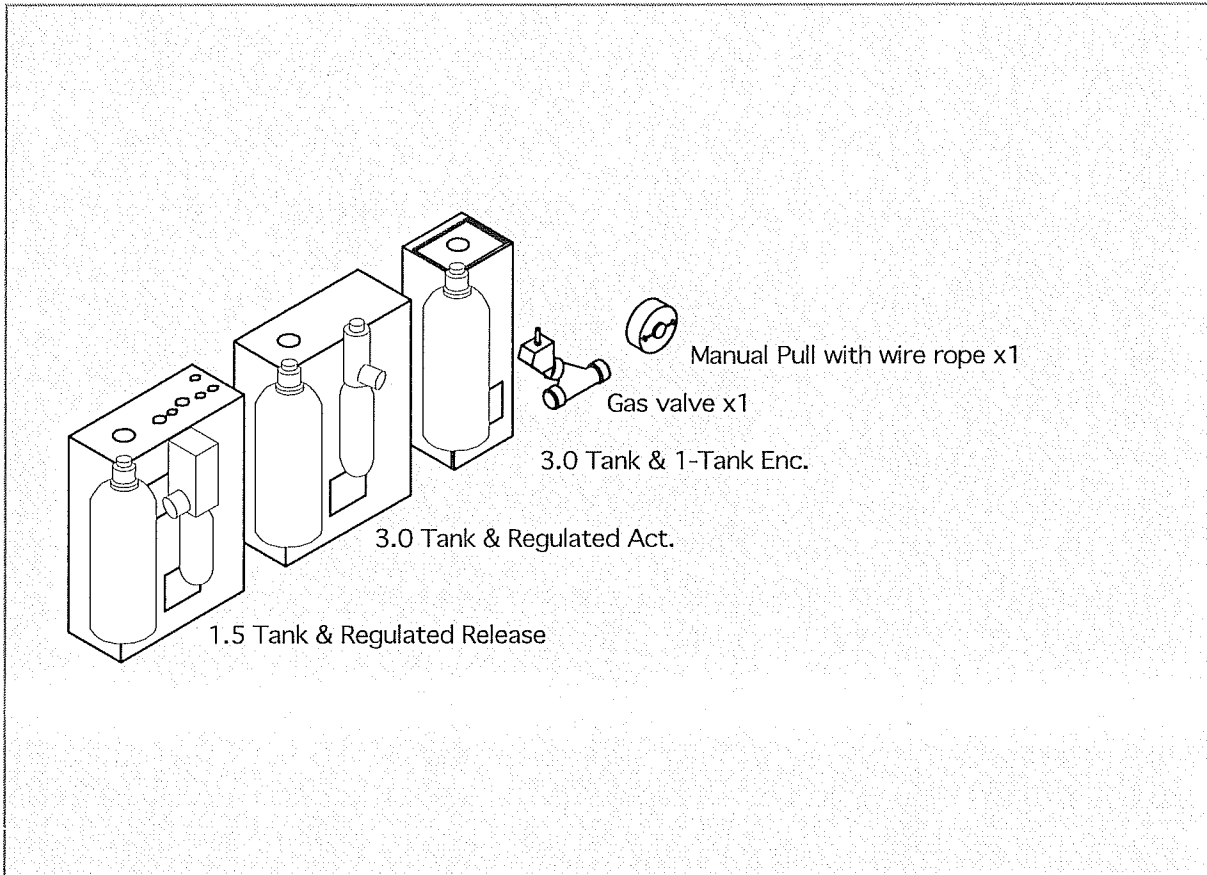




Install Date: 2013  
Westin Portland Harborside Hotel  
157 High Street  
Portland, ME 04101

All State Fire Equipment  
20C Del Carmine Street  
Wakefield, MA 01880  
Steve Keefe  
781-224-1001  
skeefe@lfpfire.com  
4612

Ansul R102 UL 300

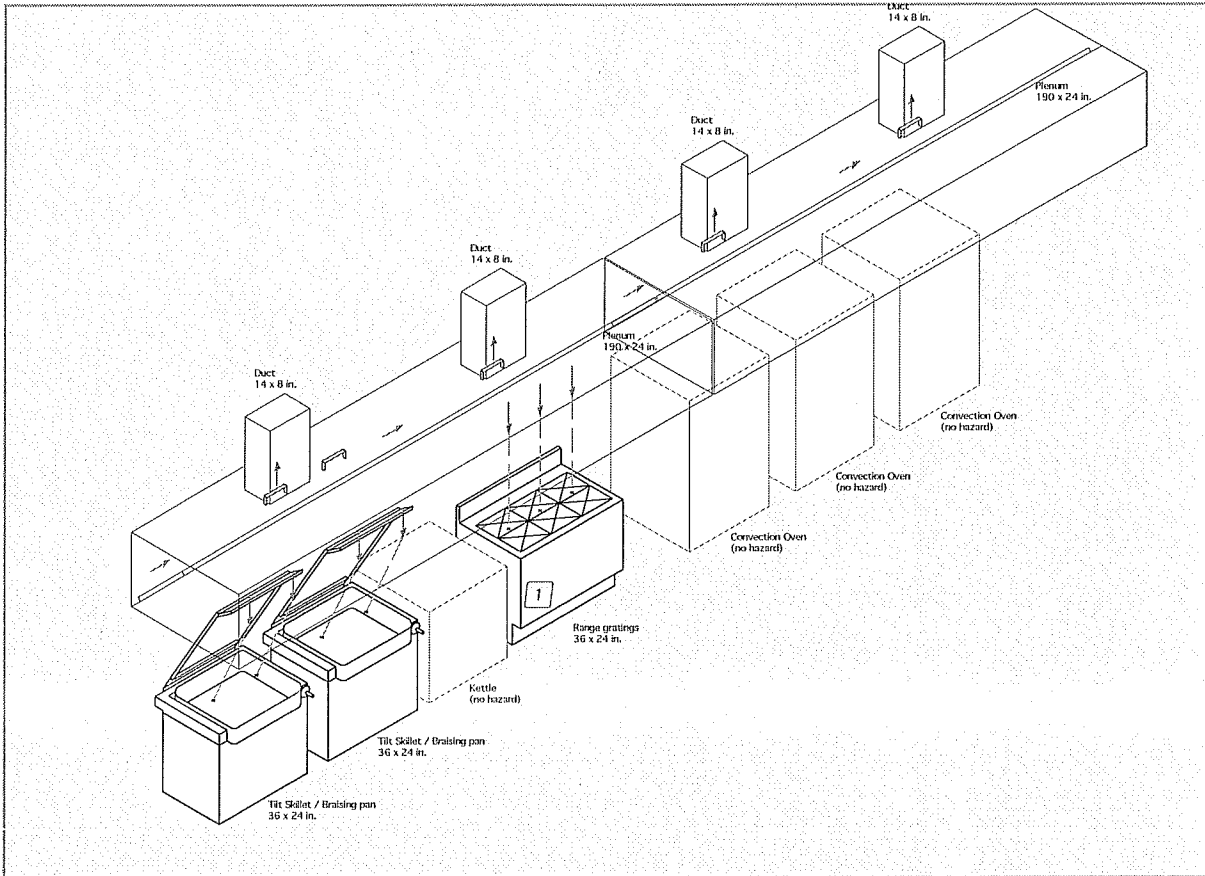




Install Date: 2013  
 Westin Portland Harborside Hotel  
 157 High Street  
 Portland, ME 04101

All State Fire Equipment  
 20C Del Carmine Street  
 Wakefield, MA 01880  
 Steve Keefe  
 781-224-1001  
 skeefe@lfpfire.com  
 4612

Ansul R102 UL 300



Flow Summary:

Coverage	Overall Dimensions	Nozzle	Flows	Nozzle Location
Hood: Single Bank	190 x 48 in.	1N x2	2	2-4 in. from filter face, center of height dimension, aimed down filter length.
Hood: Single Bank	190 x 48 in.	1N x2	2	2-4 in. from filter face, center of height dimension, aimed down filter length.
Duct: Square	14 x 8 in.	1W	1	2-8 in. into center of duct opening, aimed up
Duct: Square	14 x 8 in.	1W	1	2-8 in. into center of duct opening, aimed up
Duct: Square	14 x 8 in.	1W	1	2-8 in. into center of duct opening, aimed up
Duct: Square	14 x 8 in.	1W	1	2-8 in. into center of duct opening, aimed up
Tilt Skillet/Braising Pan	36 x 30 in.	3N x2	6	25-35 in., toward front of appliance to minimize interference, aimed at center
Tilt Skillet/Braising Pan	36 x 30 in.	3N x2	6	25-35 in., toward front of appliance to minimize interference, aimed at center
Range: 6 burners	36 x 30 in.	1N x3	3	30-40 in., 0-10 in. from each burner centerline, aimed at midpoint
Total Flow Points			23	