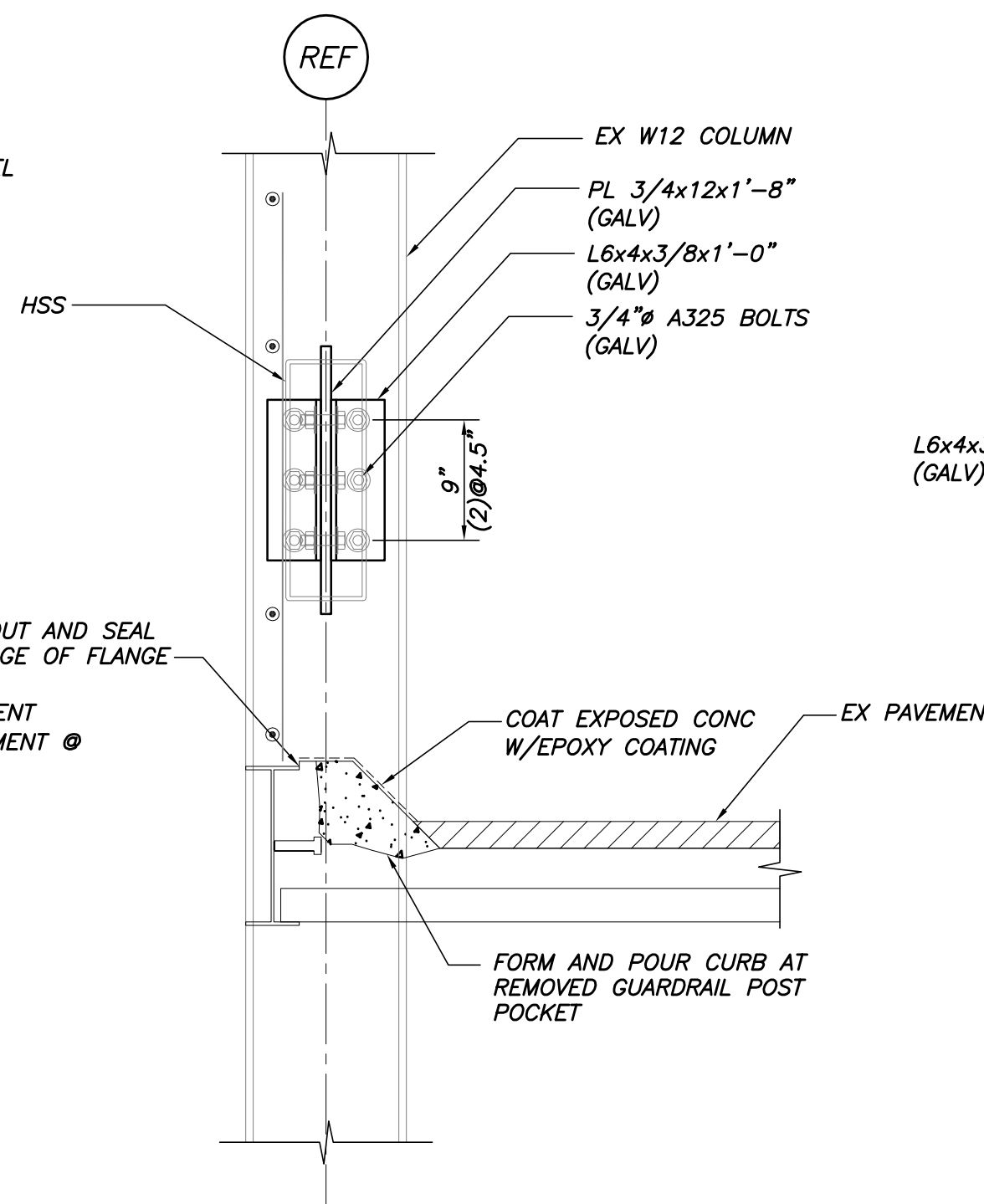
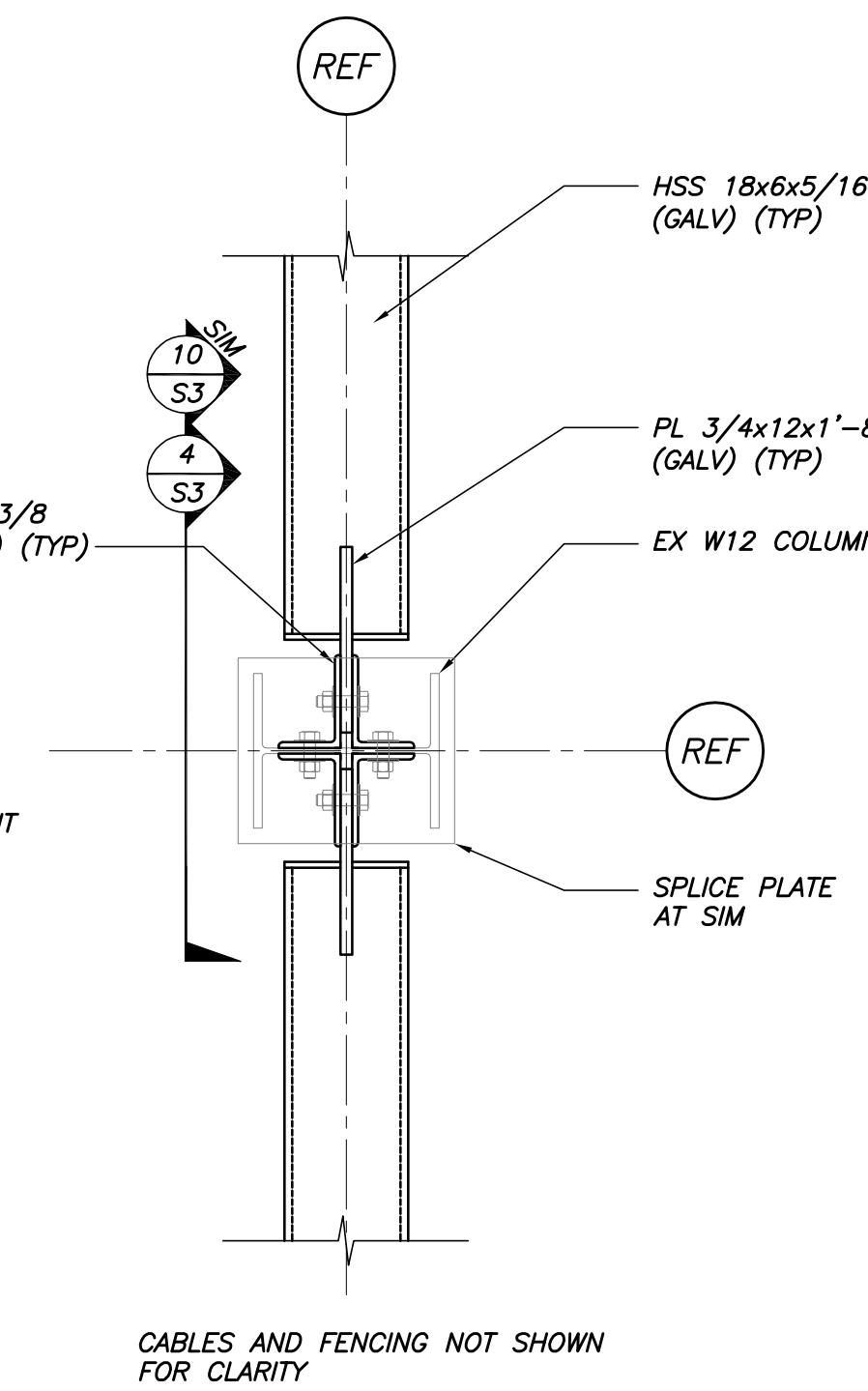


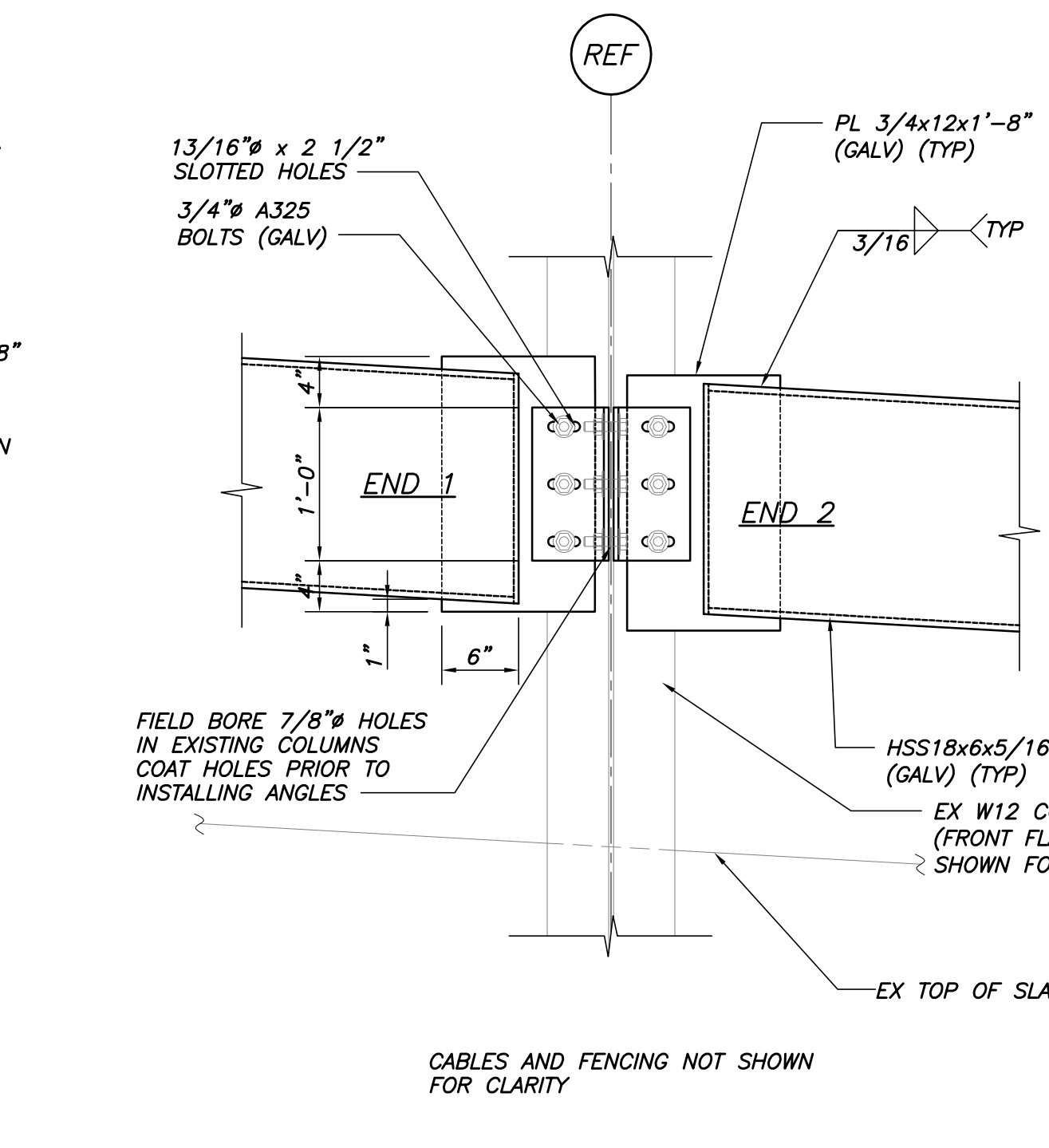
SECTION 1  
1"=1'-0"



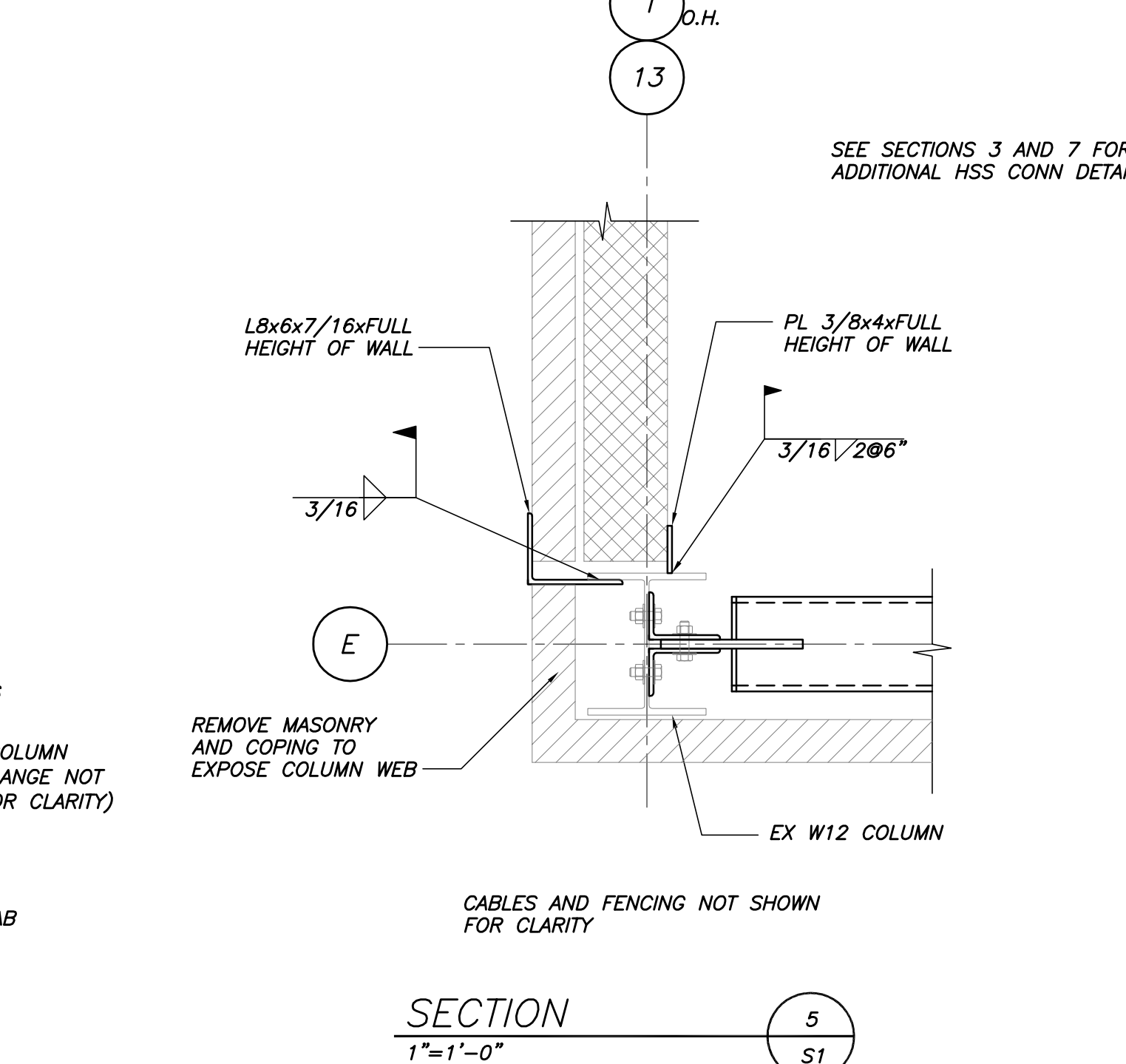
SECTION 2  
1"=1'-0"



SECTION 3  
1"=1'-0"

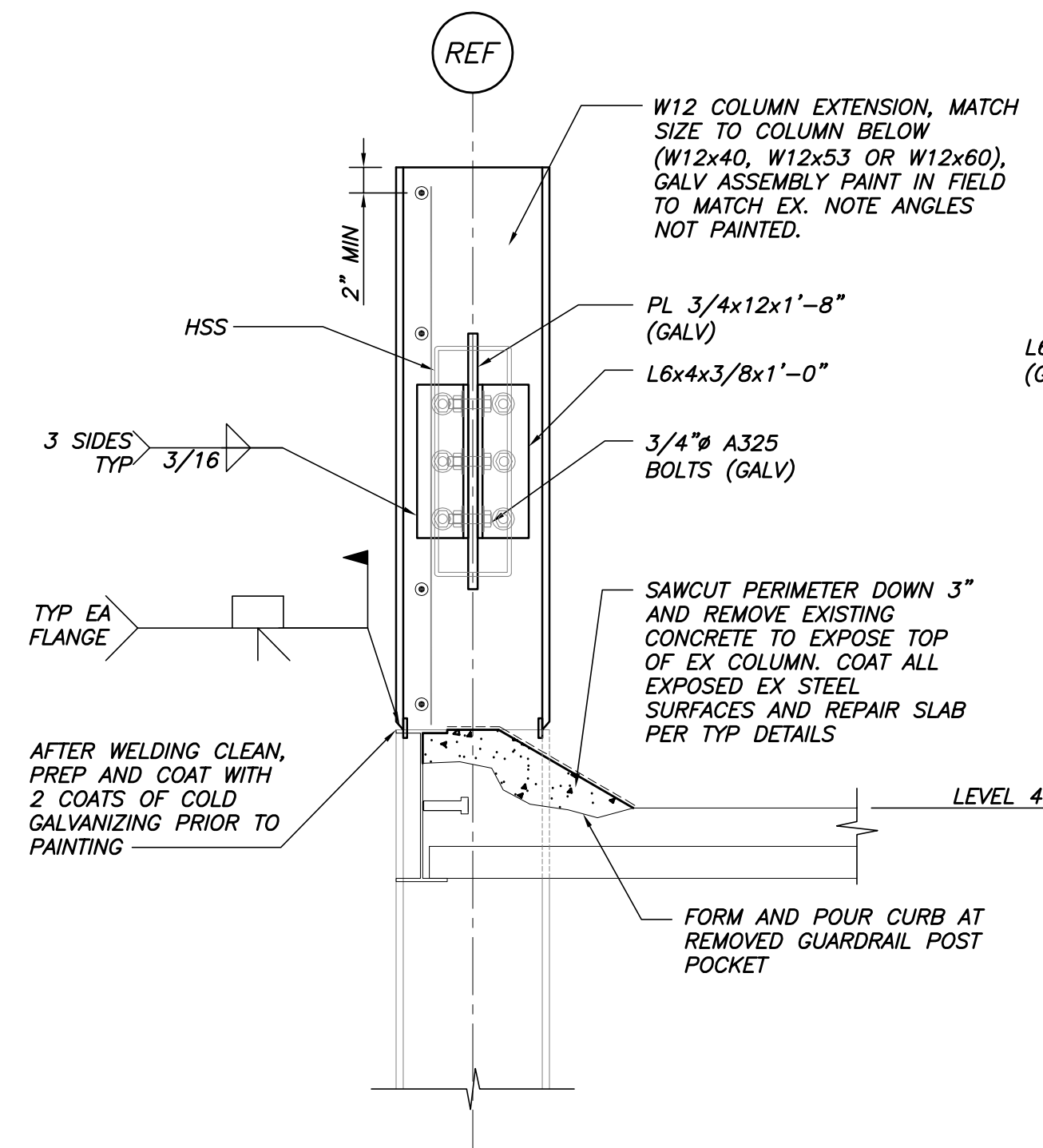


SECTION 4  
1"=1'-0"

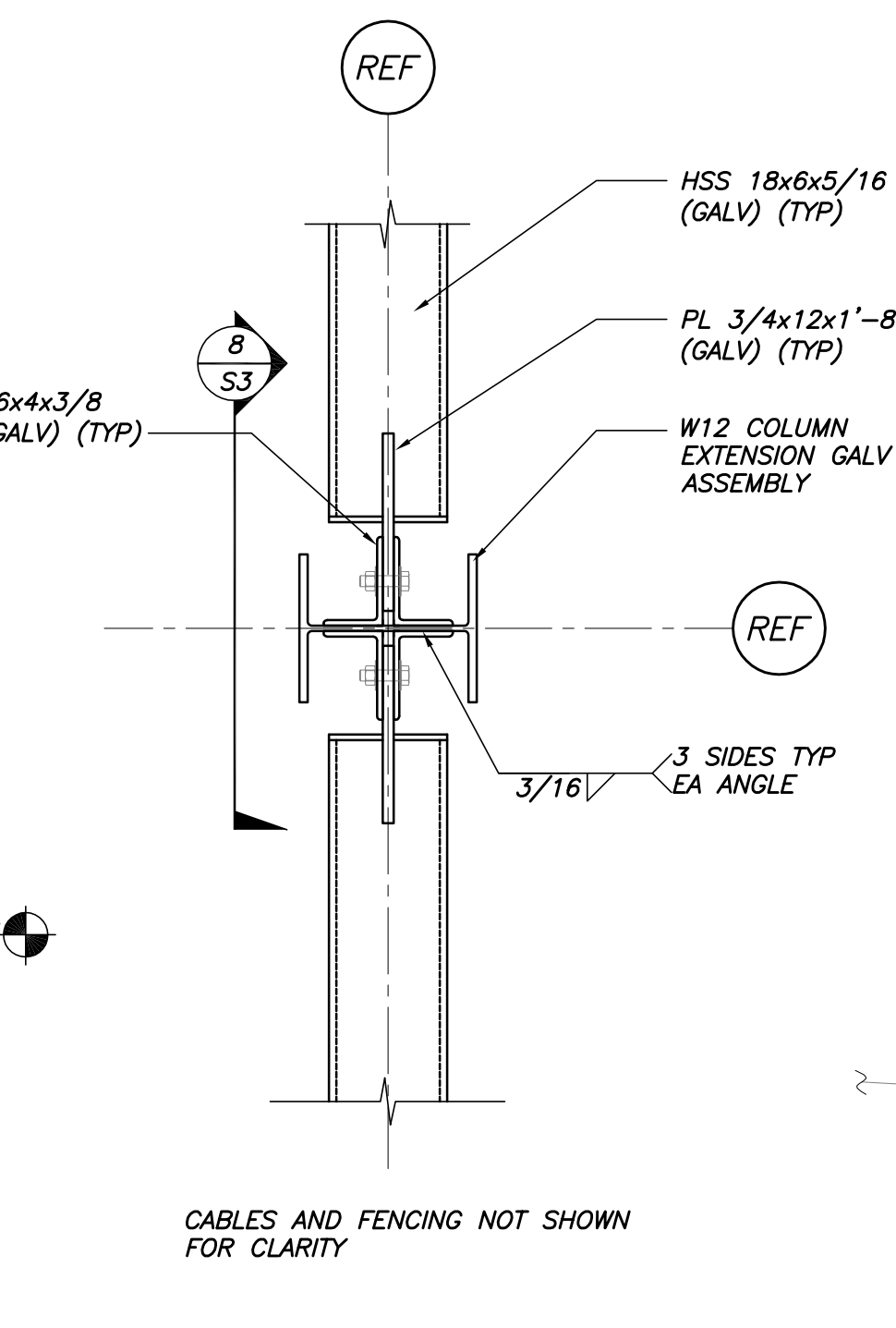


SECTION 5  
1"=1'-0"

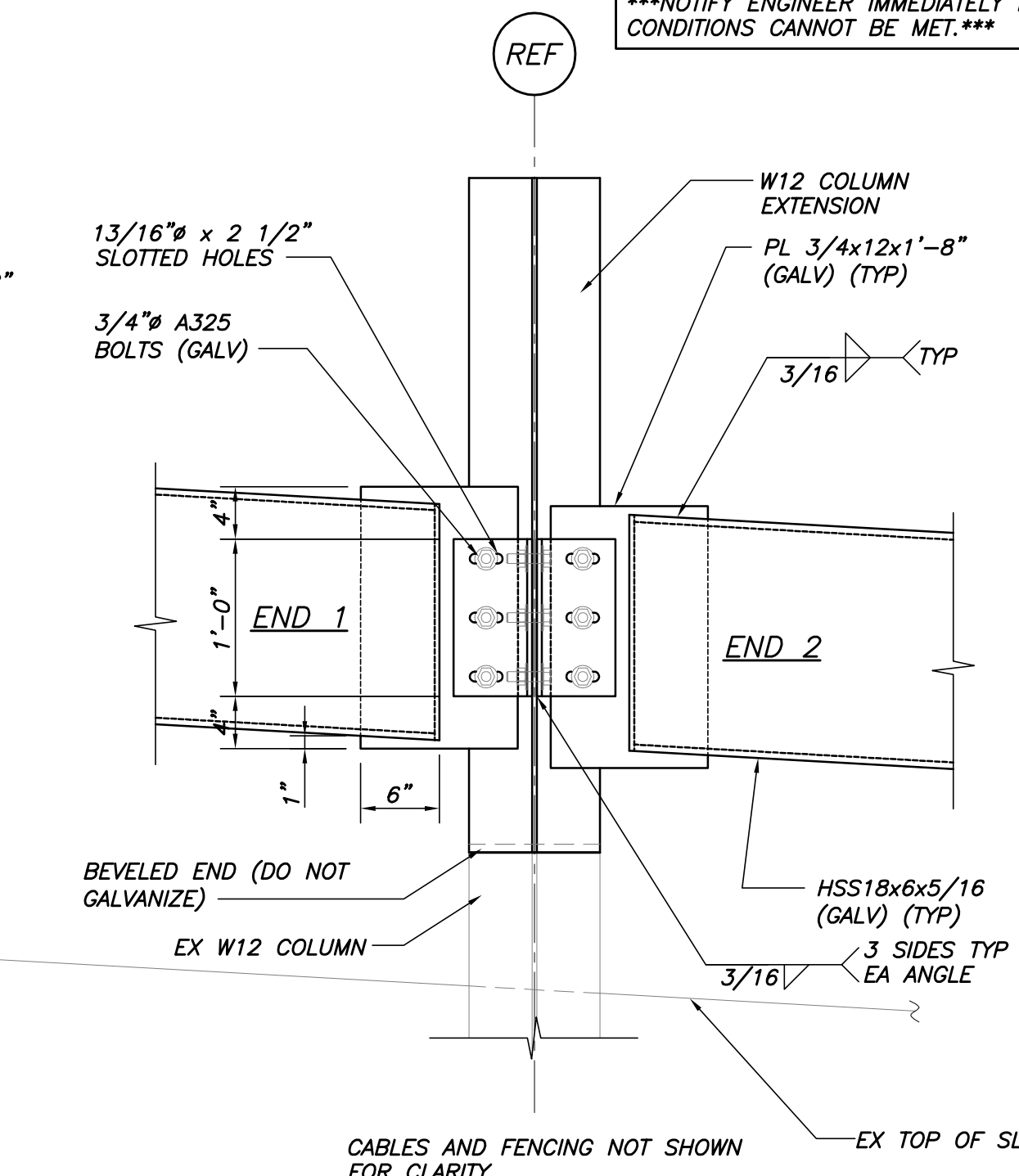
NOTE:  
THE FOLLOWING VEHICLE BARRIER AND PEDESTRIAN GUARDRAIL CONDITIONS MUST BE MET:  
A. MINIMUM PEDESTRIAN GUARDRAIL HEIGHT FROM TOP OF FENCE TO CURB IS 3'-6".  
B. MINIMUM VEHICLE BARRIER HEIGHT FROM TOP OF HSS BARRIER TO DRIVE SURFACE IS 2'-9".  
\*\*\*NOTIFY ENGINEER IMMEDIATELY IF ANY OF THESE CONDITIONS CANNOT BE MET.\*\*\*



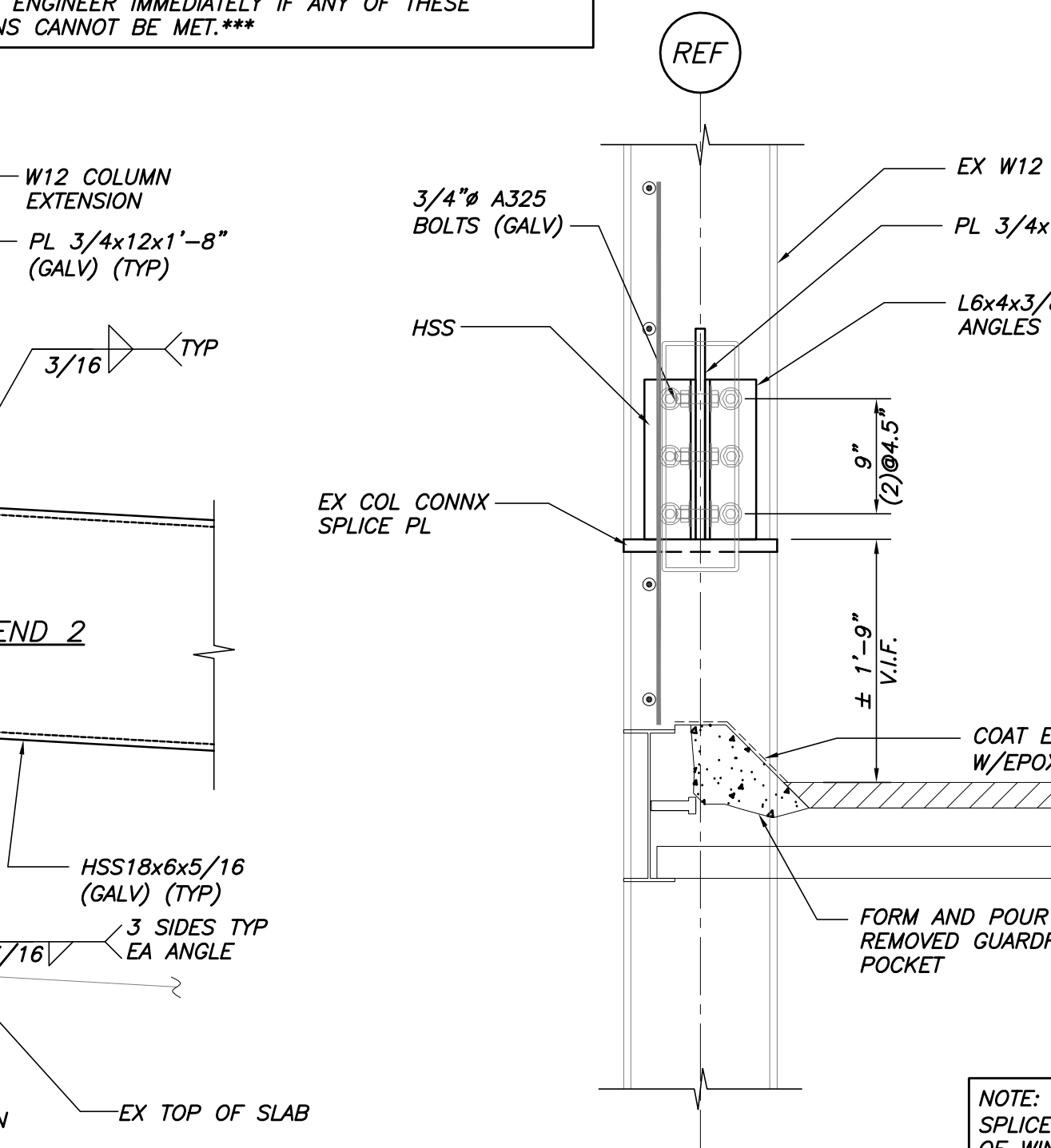
SECTION 6  
1"=1'-0"



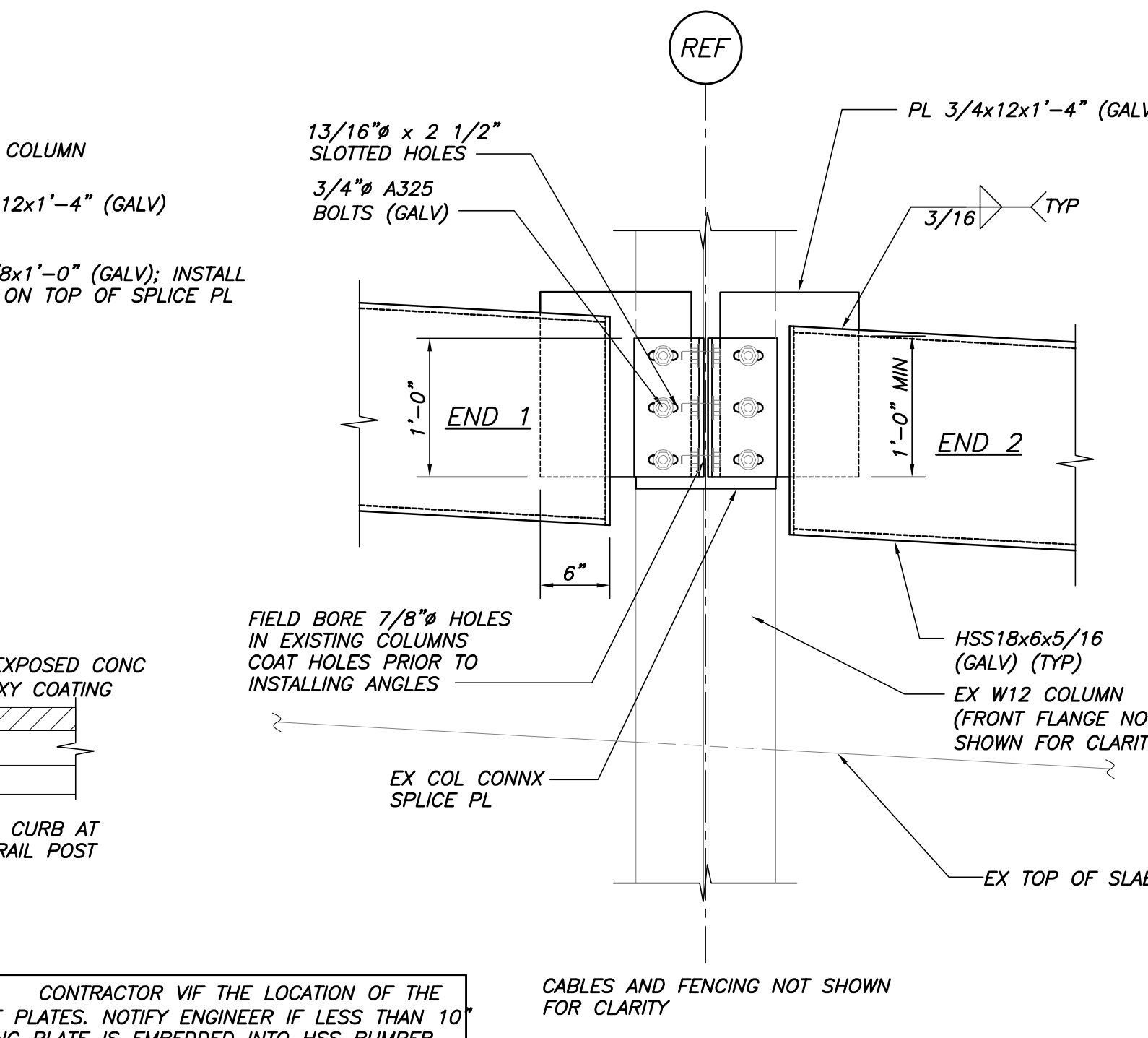
SECTION 7  
1"=1'-0"



SECTION 8  
1"=1'-0"



SECTION 9  
1"=1'-0"



SECTION 10  
1"=1'-0"

THIS DRAWING IS AN INSTRUMENT OF SERVICE AND SHALL REMAIN THE PROPERTY OF BECKER STRUCTURAL ENGINEERS, INC. IT SHALL NOT BE REPRODUCED, COPIED, LENT, OR DISPOSED OF DIRECTLY OR INDIRECTLY, NOR USED FOR ANY PURPOSE OTHER THAN FOR WHICH IT IS SPECIFICALLY FURNISHED AND MUST BE RETURNED TO BECKER STRUCTURAL ENGINEERS, INC. ON COMPLETION OF WORK, IF REQUESTED.

Issued For	FOR BID FOR PERMIT
Date	5/27/15
Rev. No	6/30/15

GATEWAY PARKING GARAGE  
PORTLAND, MAINE  
FACADE REPAIRS PHASE 1  
SECTIONS

Designed	JMM	Scale	AS NOTED
Drawn	ATS	Date	5/27/15
Checked	TMN	Becker Job Number	3521