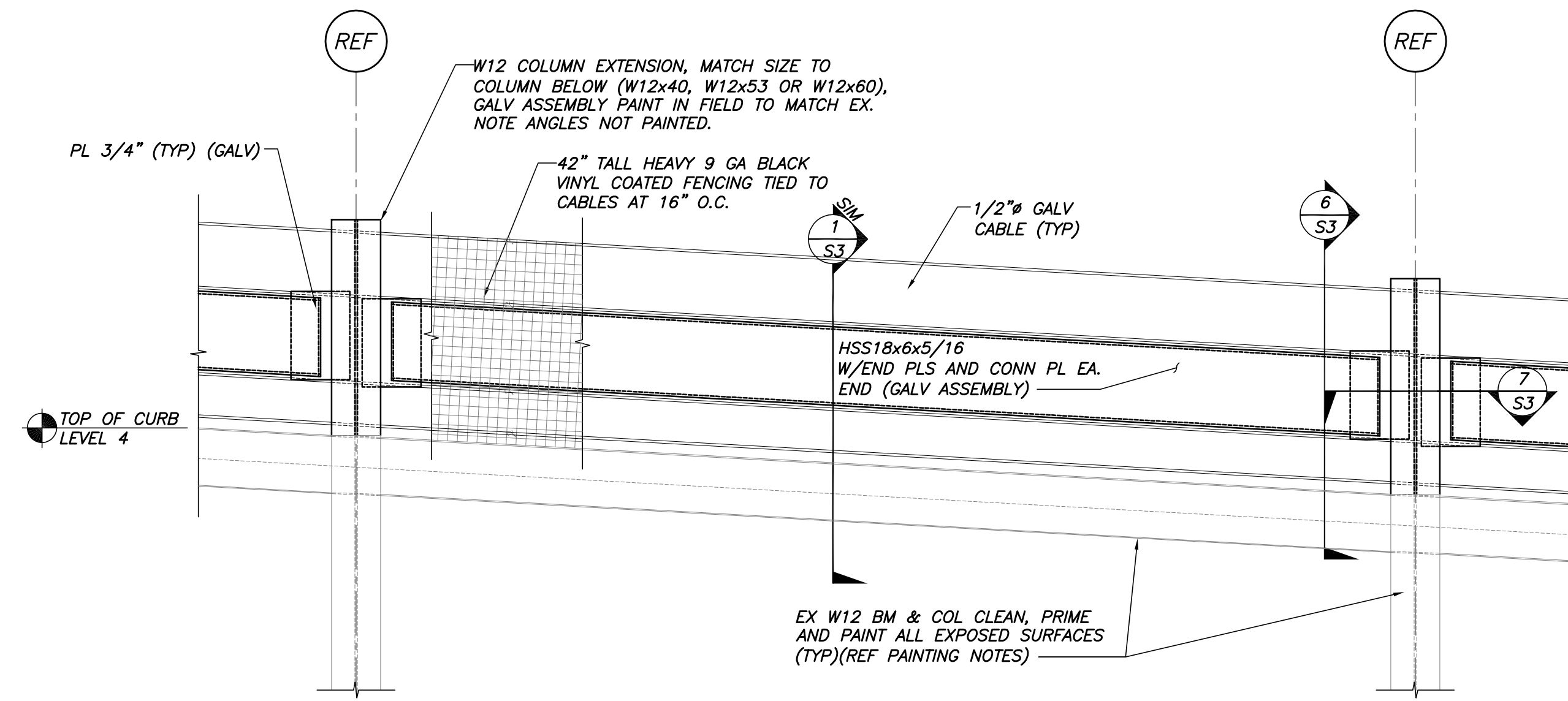
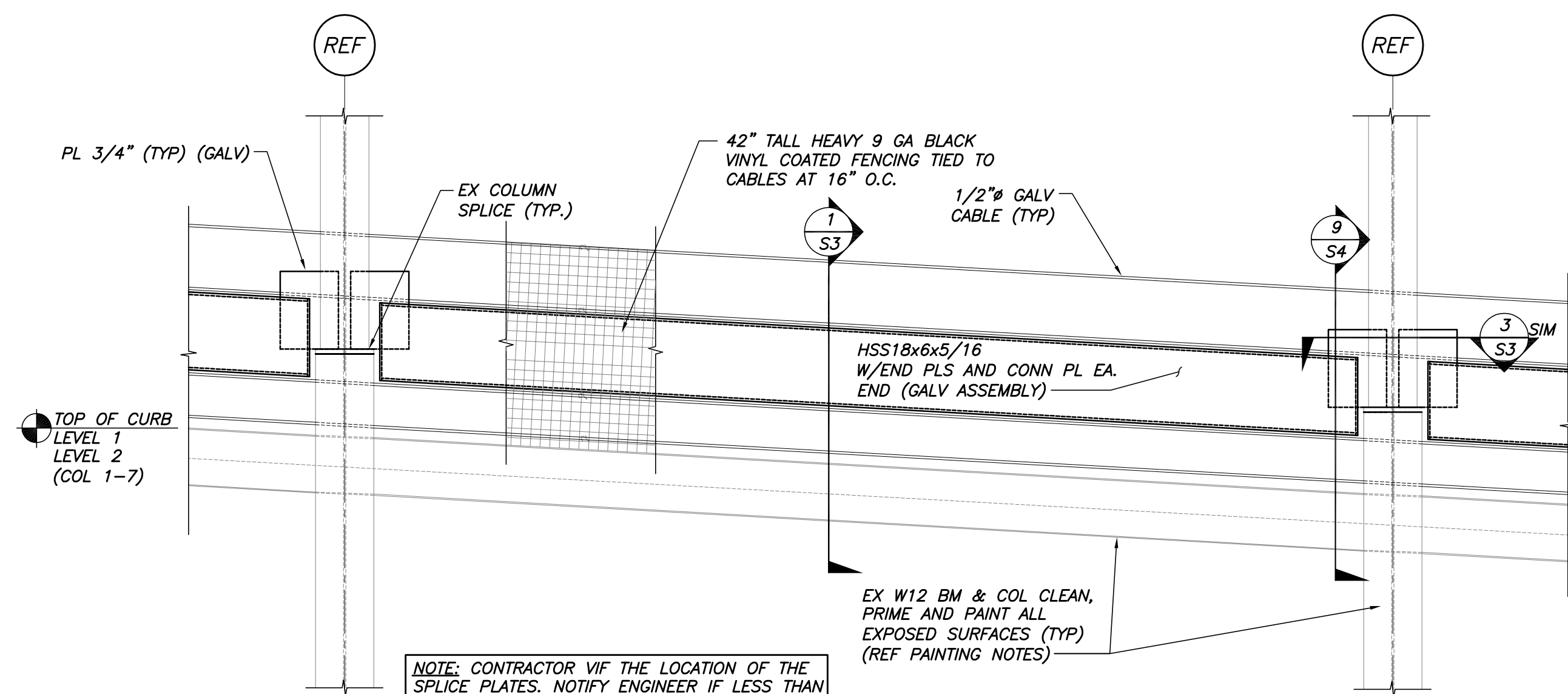


DETAIL
1/2"=1'-0" A
S1

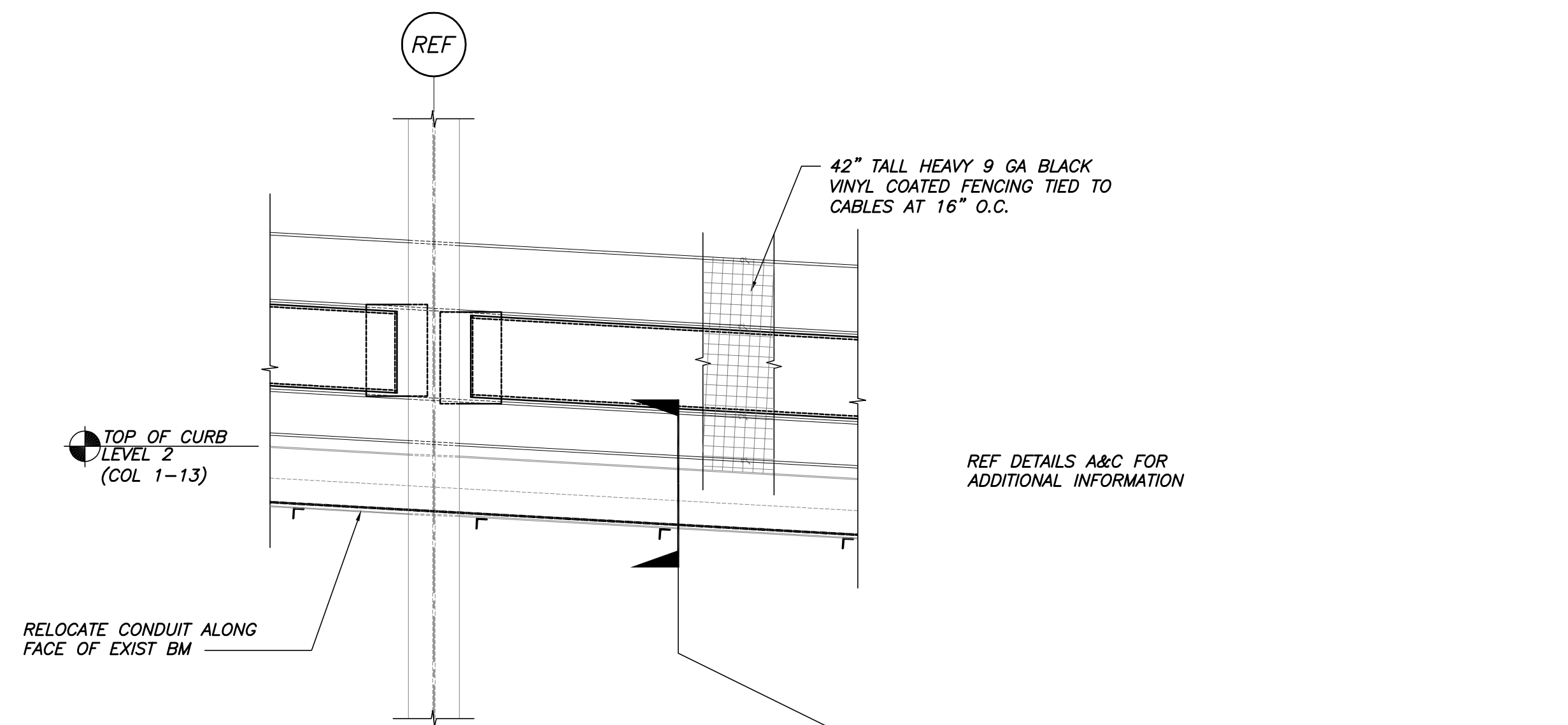


DETAIL
1/2"=1'-0" B
S1



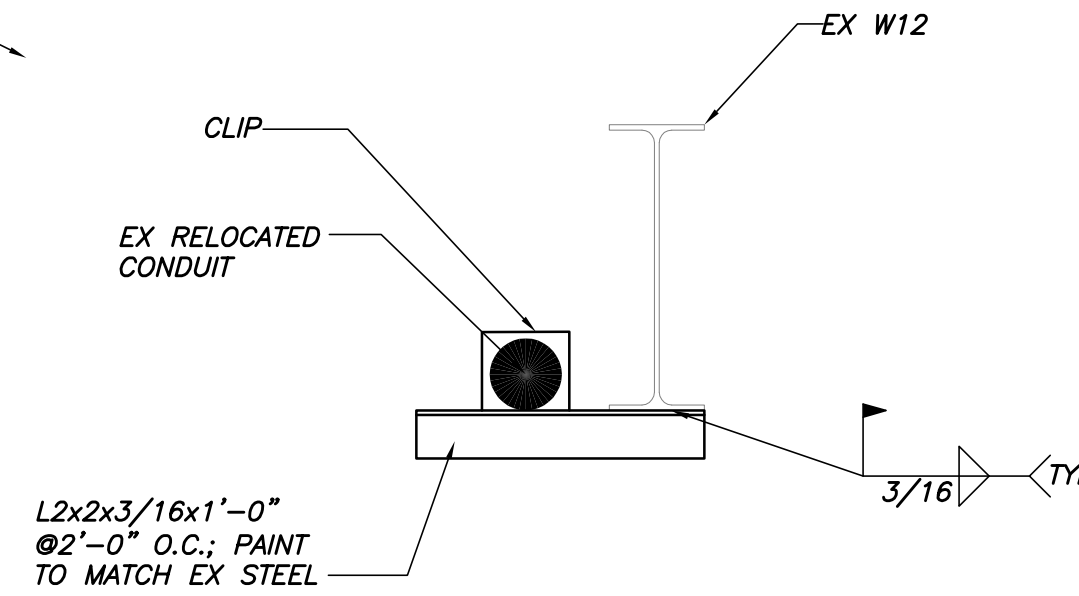
DETAIL
1/2"=1'-0" C
S1

NOTE: CONTRACTOR VIF THE LOCATION OF THE SPLICE PLATES, NOTIFY ENGINEER IF LESS THAN 10" OF WING PLATE IS EMBEDDED INTO BUMPER



DETAIL
1/2"=1'-0" D
S1

NOTE: DETAIL ONLY APPLIES TO LOCATION WHERE CONDUIT IS RELOCATED ALONG THE FACE OF THE BEAM



Approved	
Issued For	FOR BID FOR PERMIT
Date	5/27/15
Rev. No	6/30/15

GATEWAY PARKING GARAGE
PORTLAND, MAINE
FACADE REPAIRS PHASE 1
DETAILS

Designed	JMM	Scale	AS NOTED
Drawn	ATS	Date	5/27/15
Checked	TMN	Becker Job Number	3521