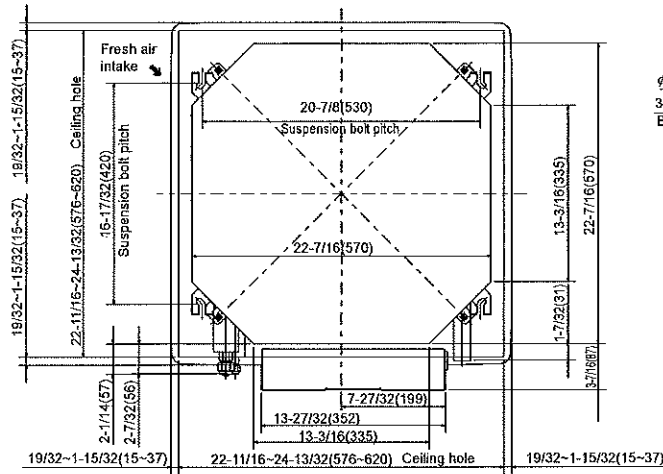
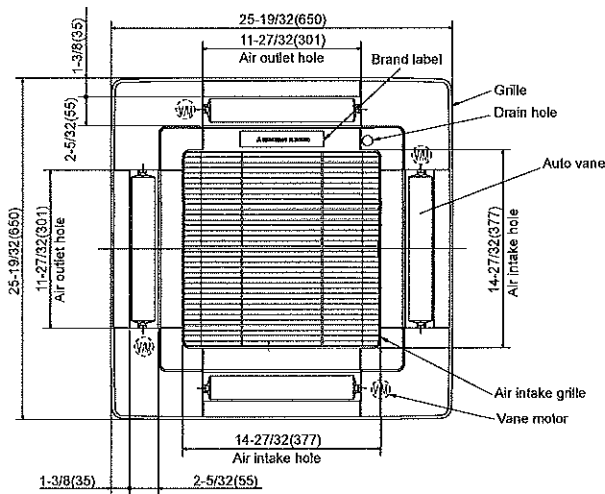
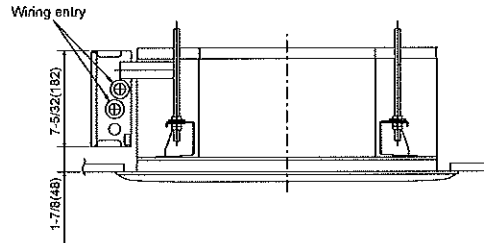
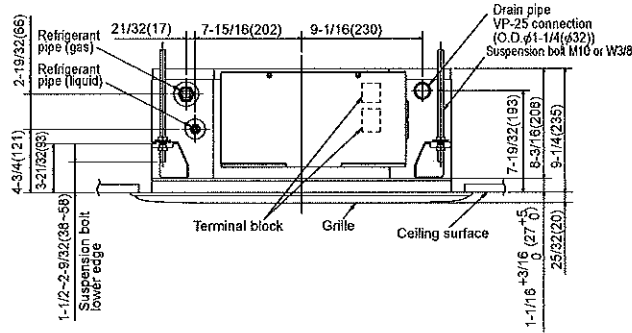
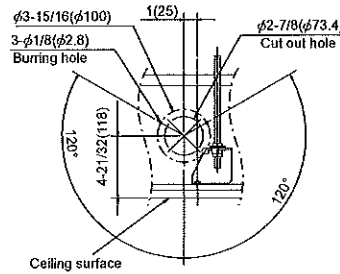


# DIMENSIONS: SLZ-KA09NA

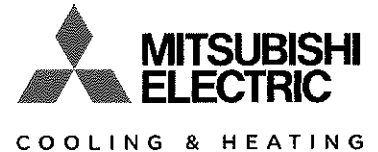
Unit : inch (mm)



**Detail drawing of fresh air intake**



Models	Refrigerent pipe (liquid)	Refrigerent pipe (gas)
SLZ-KA09NA	1/4 inch ( $\phi 6.35\text{mm}$ ) flared connection	3/8 inch ( $\phi 9.52\text{mm}$ ) flared connection
SLZ-KA12NA	1/4 inch ( $\phi 6.35\text{mm}$ ) flared connection	3/8 inch ( $\phi 9.52\text{mm}$ ) flared connection
SLZ-KA15NA	1/4 inch ( $\phi 6.35\text{mm}$ ) flared connection	1/2 inch ( $\phi 12.7\text{mm}$ ) flared connection



1340 Satellite Boulevard. Suwanee, GA 30024  
Toll Free: 800-433-4822 www.mehvac.com

