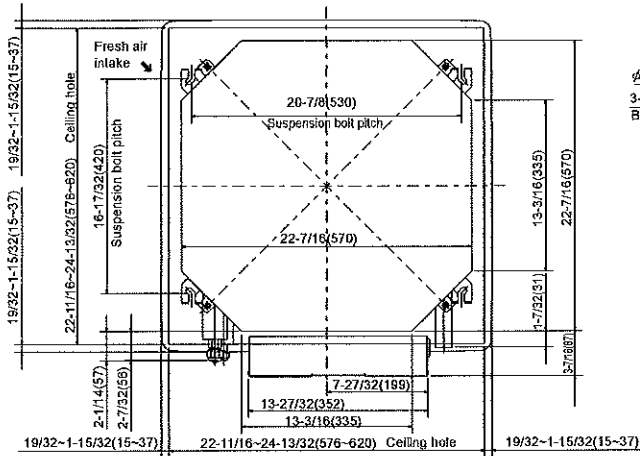
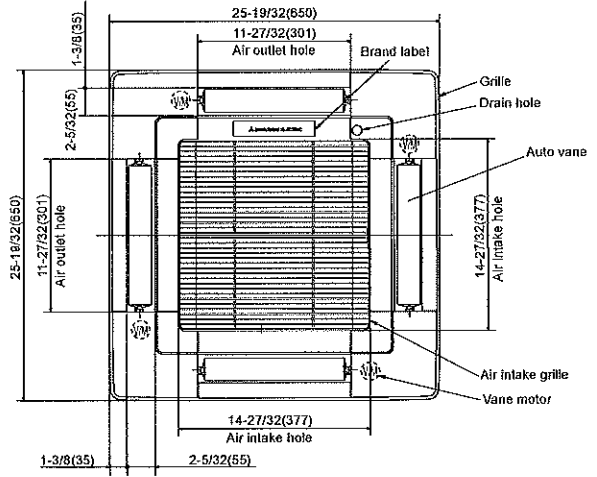
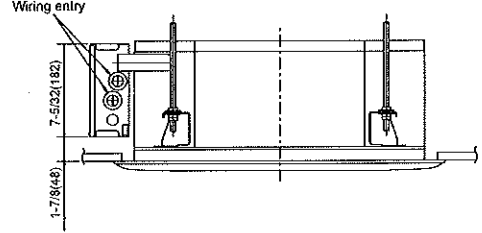
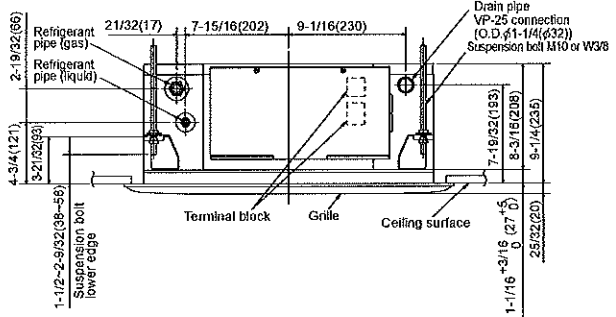
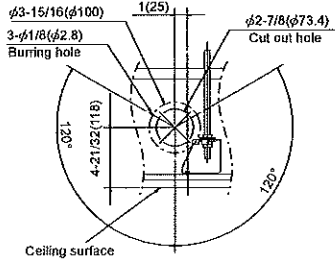


DIMENSIONS: SLZ-KA12NA

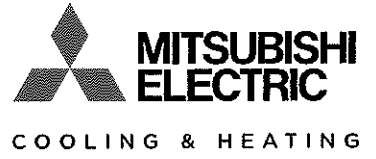
Unit : inch (mm)



Detail drawing of fresh air intake



Models	Refrigerant pipe (liquid)	Refrigerant pipe (gas)
SLZ-KA09NA	1/4 inch ($\phi 6.35\text{mm}$) flared connection	3/8 inch ($\phi 9.52\text{mm}$) flared connection
SLZ-KA12NA	1/4 inch ($\phi 6.35\text{mm}$) flared connection	3/8 inch ($\phi 9.52\text{mm}$) flared connection
SLZ-KA15NA	1/4 inch ($\phi 6.35\text{mm}$) flared connection	1/2 inch ($\phi 12.7\text{mm}$) flared connection



1340 Satellite Boulevard, Suwanee, GA 30024
Toll Free: 800-433-4822 www.mehvac.com

