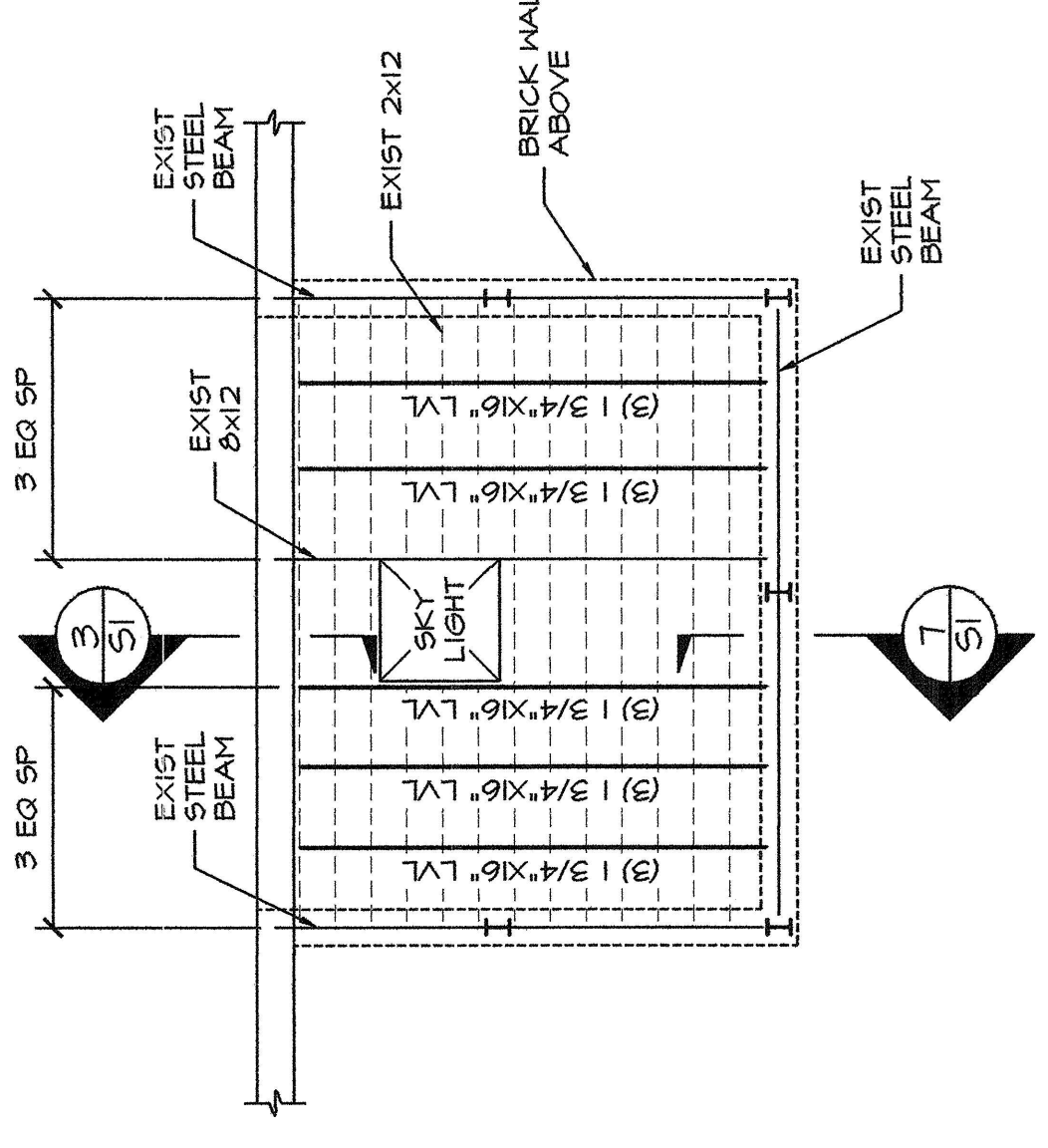
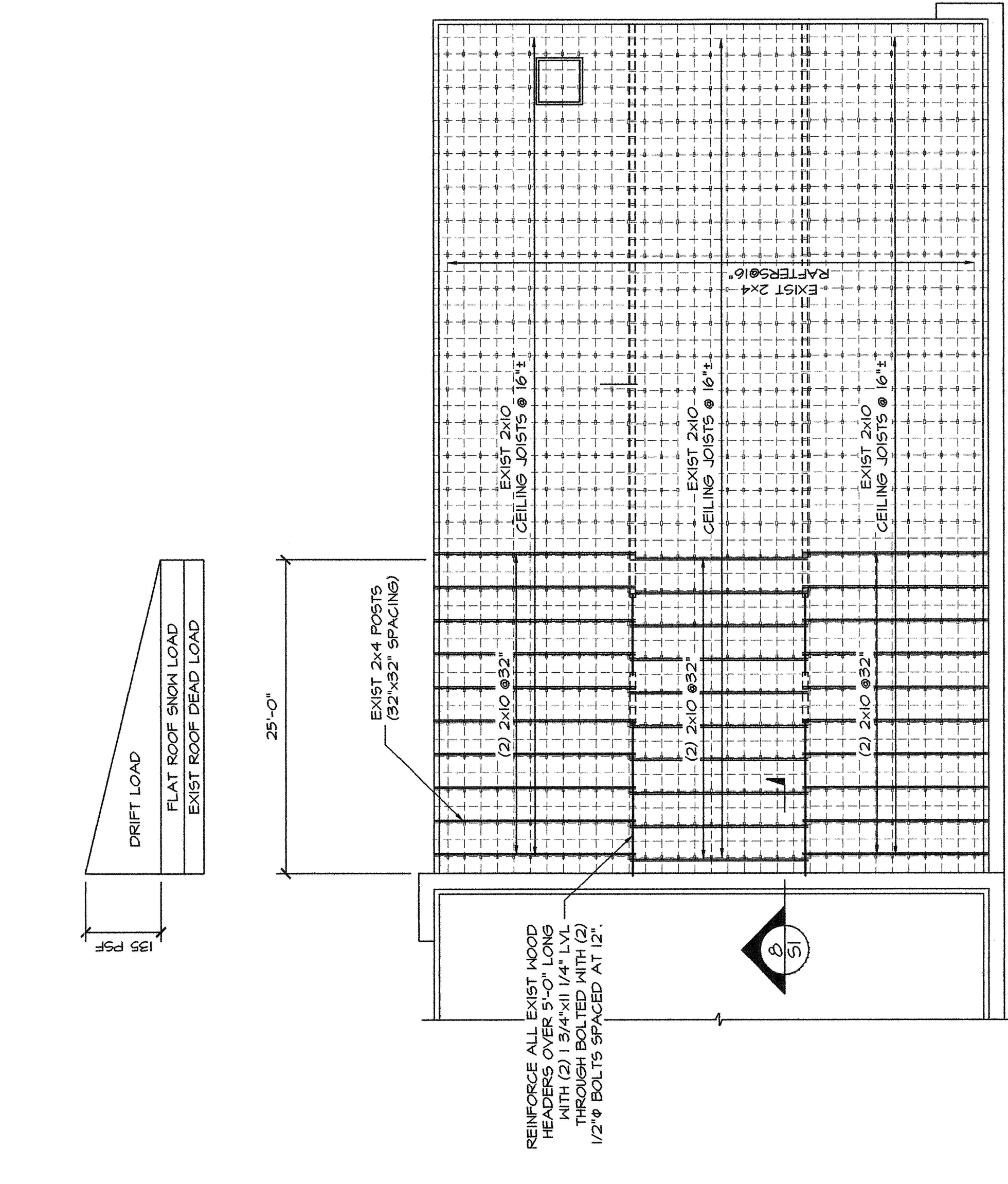


**BUILDING A ROOF FRAMING PLAN**  
1/8"=1'-0"  
REMOVE EXISTING CEILINGS TO INSTALL NEW FRAMING.



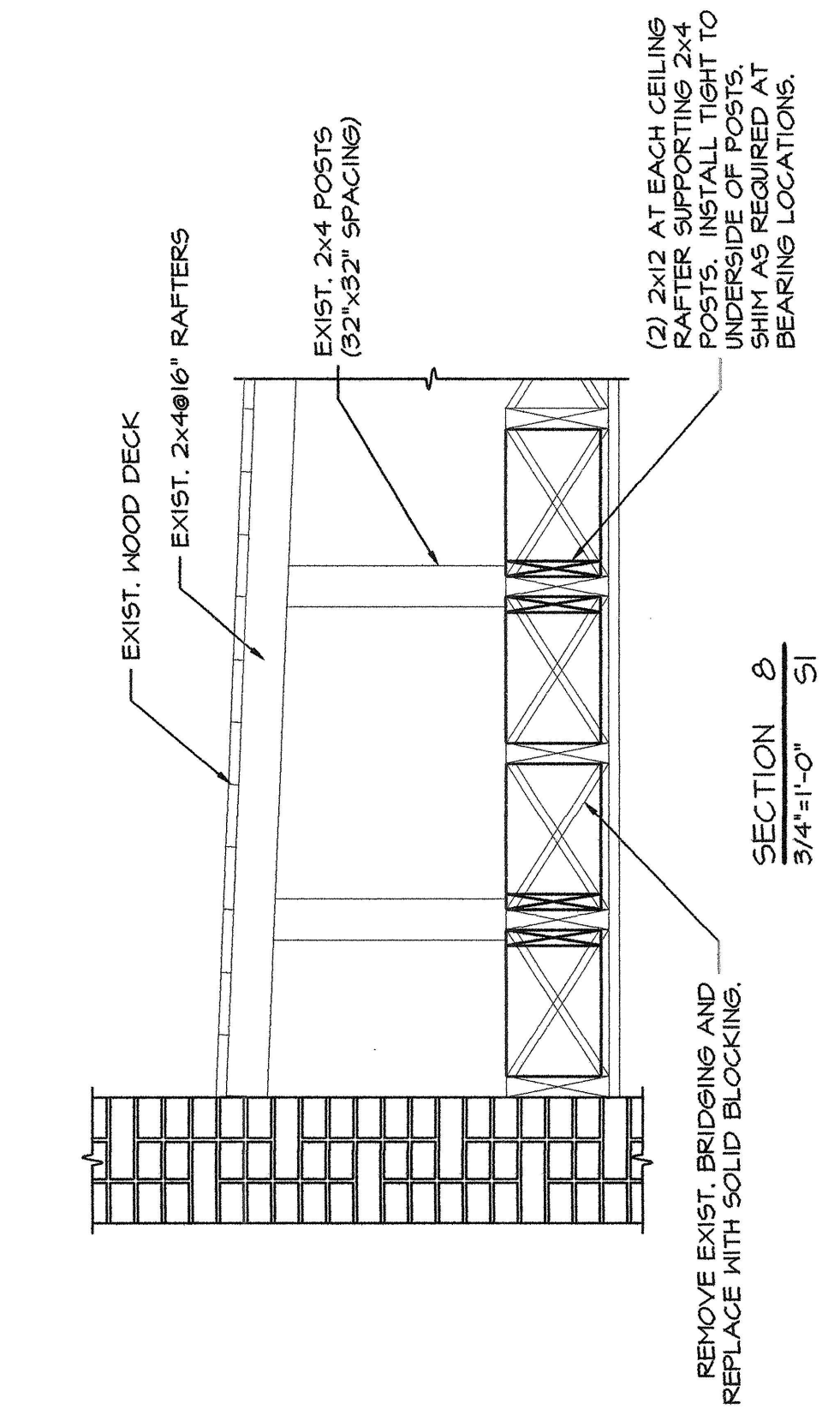
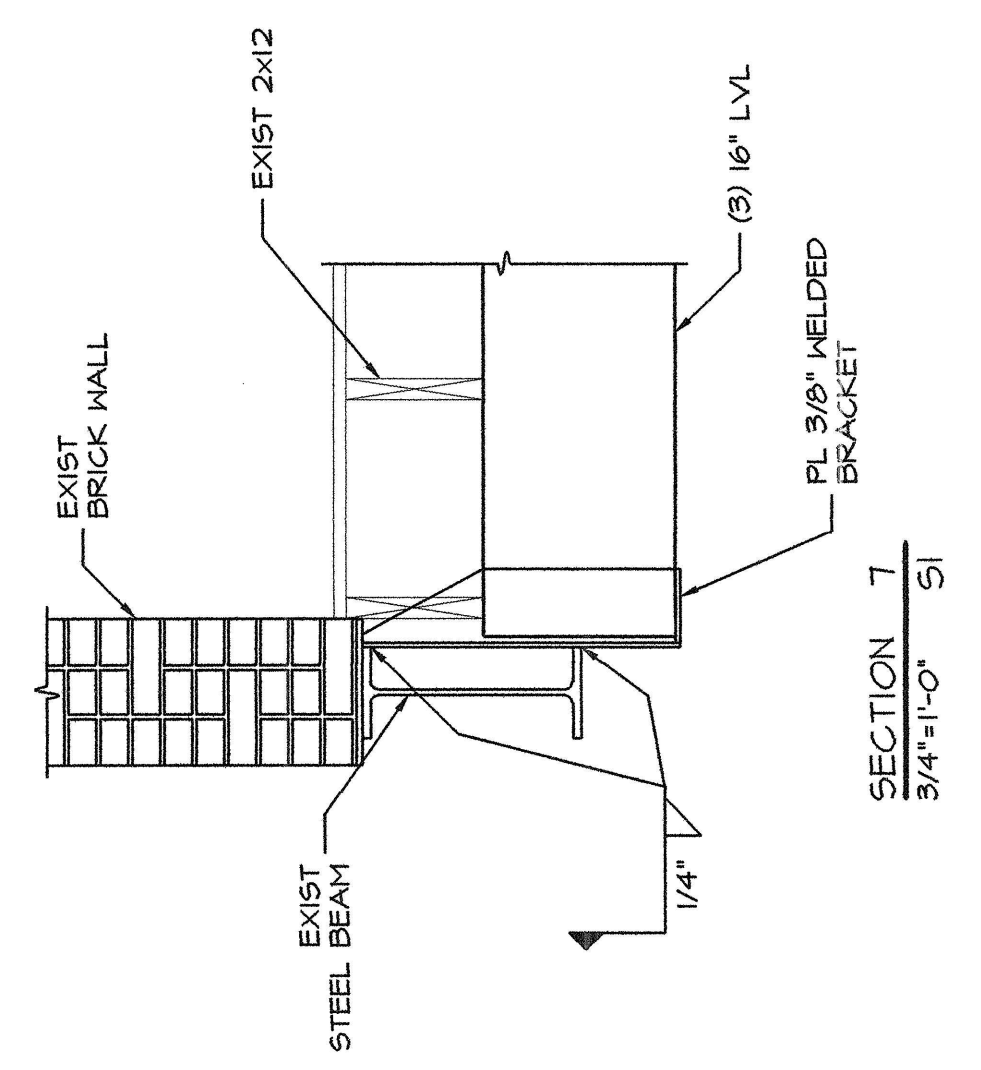
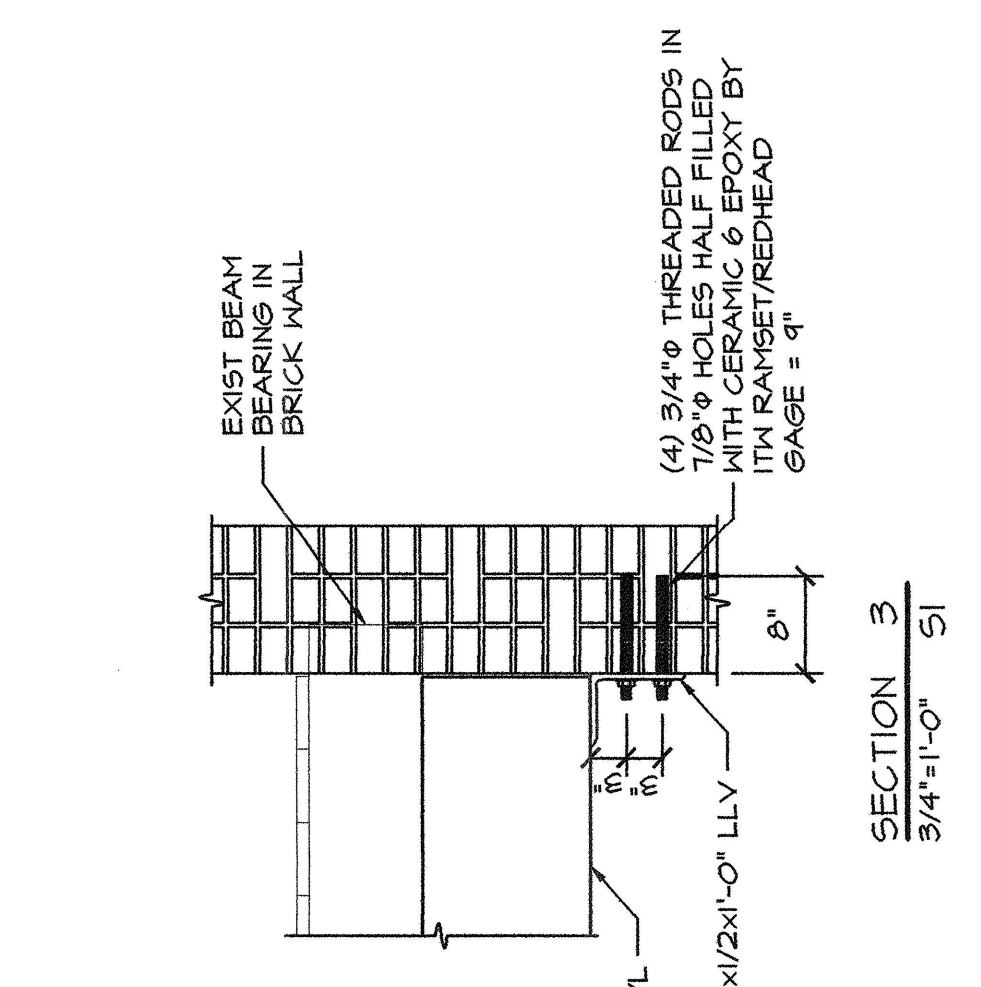
**BUILDING A LOW ROOF FRAMING PLAN**  
1/8"=1'-0"  
REMOVE EXISTING CEILINGS, PIPING AND DUCTWORK AS REQUIRED TO INSTALL NEW FRAMING.  
INSTALL SIMPSON JOIST HANGERS ON ALL EXISTING 2x12 BEAMS AT 8x12 BEAM PRIOR TO INSTALLING NEW LVL BEAMS.  
INSTALL NEW LVL BEAMS TIGHT TO UNDERSIDE OF EXISTING 2x12 RAFTERS.  
ALL LVL BEAMS ARE TO BE MICRO-LAMINATED VENEER (MLV) OR APPROVED ALTERNATE.



**BUILDING C ROOF FRAMING PLAN**  
1/8"=1'-0"  
REMOVE EXISTING CEILINGS IN DRIFT AREA TO INSTALL NEW FRAMING.

**BUILDING A ROOF FRAMING PLAN**  
1/8"=1'-0"  
REMOVE EXISTING CEILINGS TO INSTALL NEW FRAMING.

**BUILDING C ROOF FRAMING PLAN**  
1/8"=1'-0"  
REMOVE EXISTING CEILINGS IN DRIFT AREA TO INSTALL NEW FRAMING.



**BUILDING A ROOF FRAMING PLAN**  
1/8"=1'-0"  
REMOVE EXISTING CEILINGS TO INSTALL NEW FRAMING.

**BUILDING C ROOF FRAMING PLAN**  
1/8"=1'-0"  
REMOVE EXISTING CEILINGS IN DRIFT AREA TO INSTALL NEW FRAMING.

