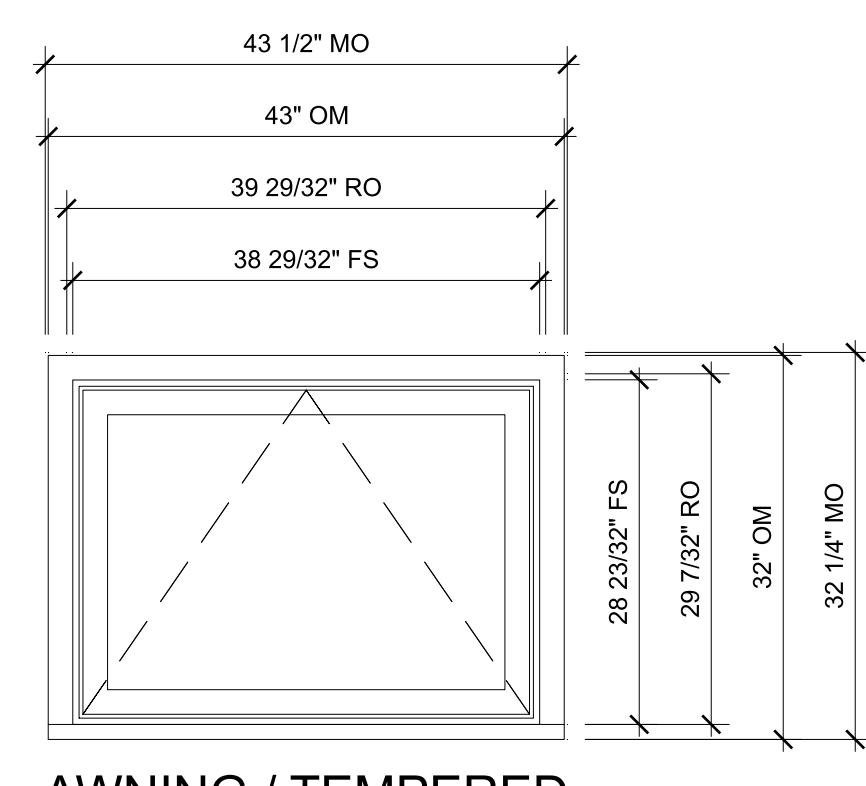


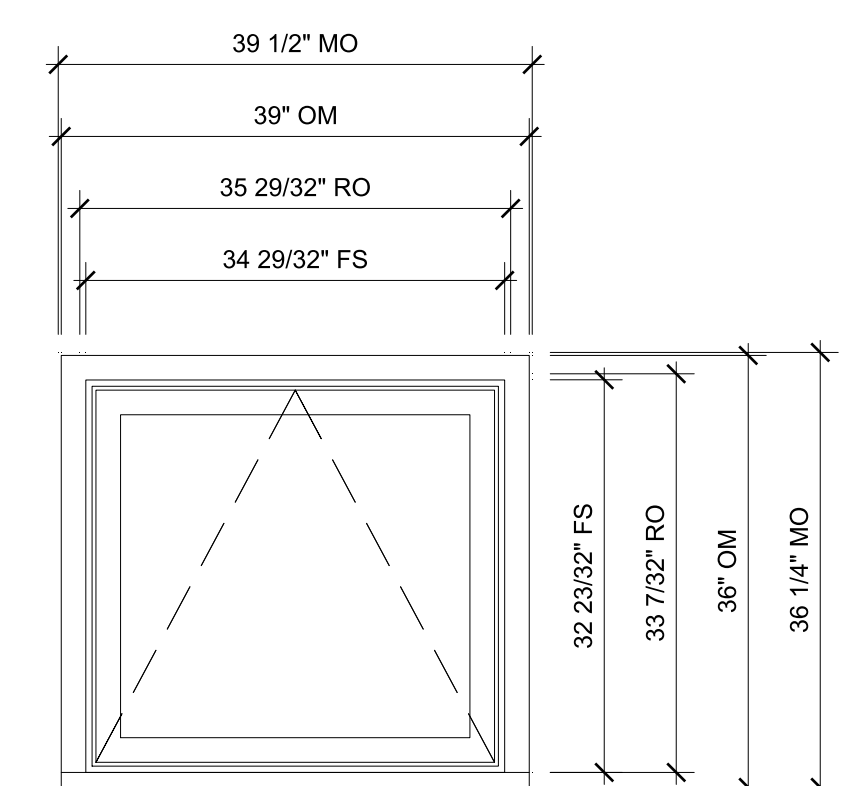
ORDERING PRODUCTS WITH REFERENCE TO SHOP DRAWINGS:
 Before ordering the Marvin Window and Door products illustrated within these shop drawings, a copy of these drawings accompanied by an approved signature of the purchaser must be returned to the Architectural Division at Marvin Windows & Doors, P.O. Box 100, Waukegan, Minnesota 55783. The purchaser's signature must be in accordance with the reference to the approved shop drawings. Marvin Windows and Doors assumes no responsibility in guaranteeing product coordination with the drawings.



AWNING / TEMPERED
 SCALE: 3/4" = 1'-0"

- ⊕ Head
- ⊕ Jamb
- ⊕ Sill

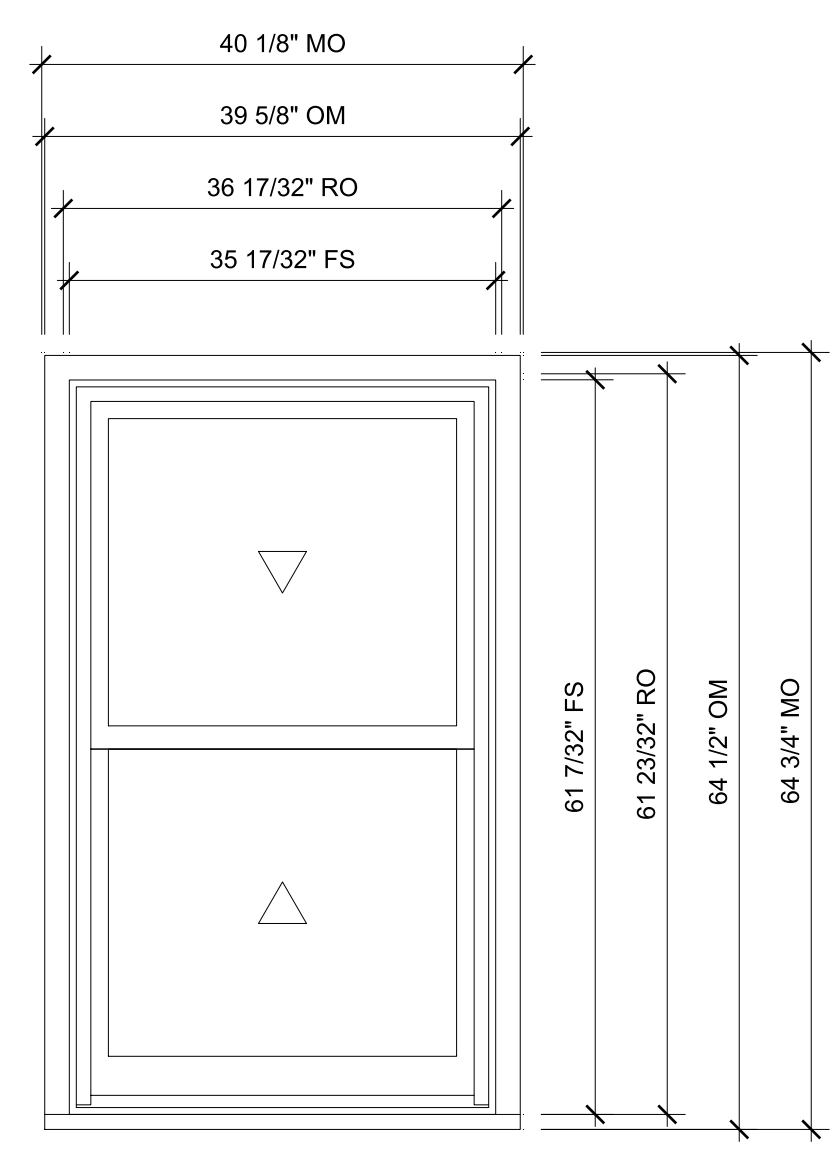
SPECIFICATIONS	
Brand: Marvin	
Series: Clad	



AWNING
 SCALE: 3/4" = 1'-0"

- ⊕ Head
- ⊕ Jamb
- ⊕ Sill

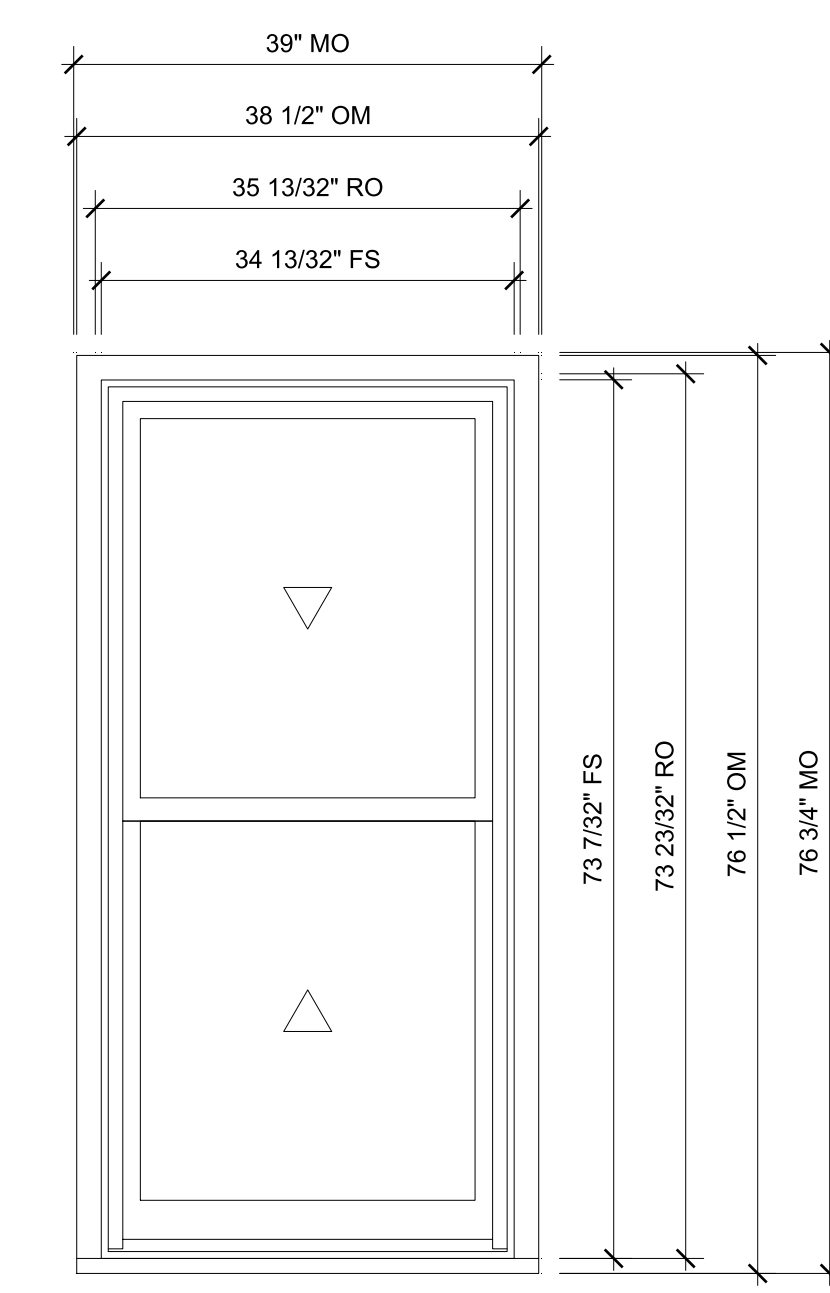
SPECIFICATIONS	
Brand: Marvin	
Series: Clad	



DOUBLE HUNG
 SCALE: 3/4" = 1'-0"

- ⊕ Head
- ⊕ Jamb
- ⊕ Sill
- ⊕ Checkrail

SPECIFICATIONS	
Brand: Marvin	
Series: Clad	

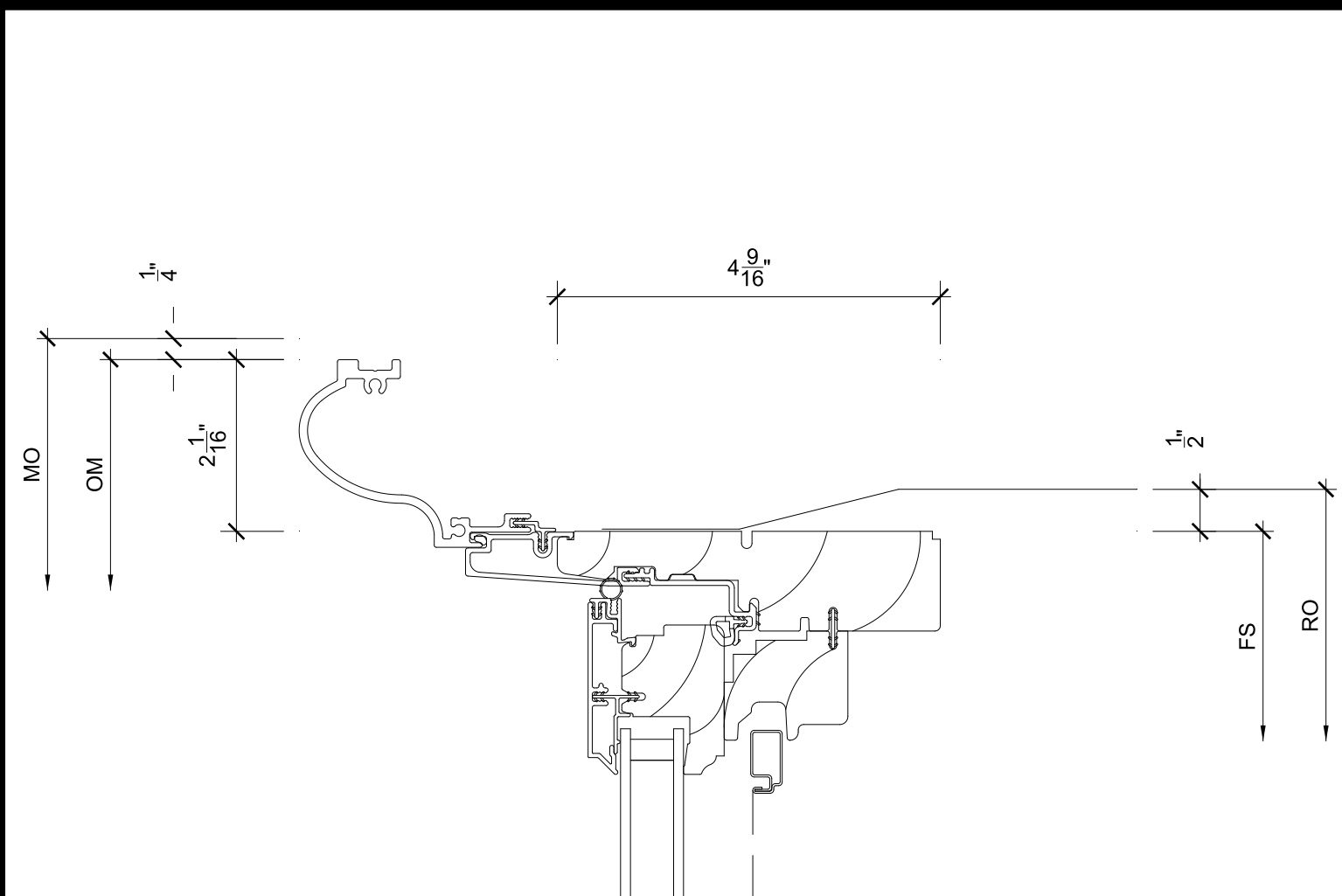


DOUBLE HUNG
 SCALE: 3/4" = 1'-0"

- ⊕ Head
- ⊕ Jamb
- ⊕ Sill
- ⊕ Checkrail

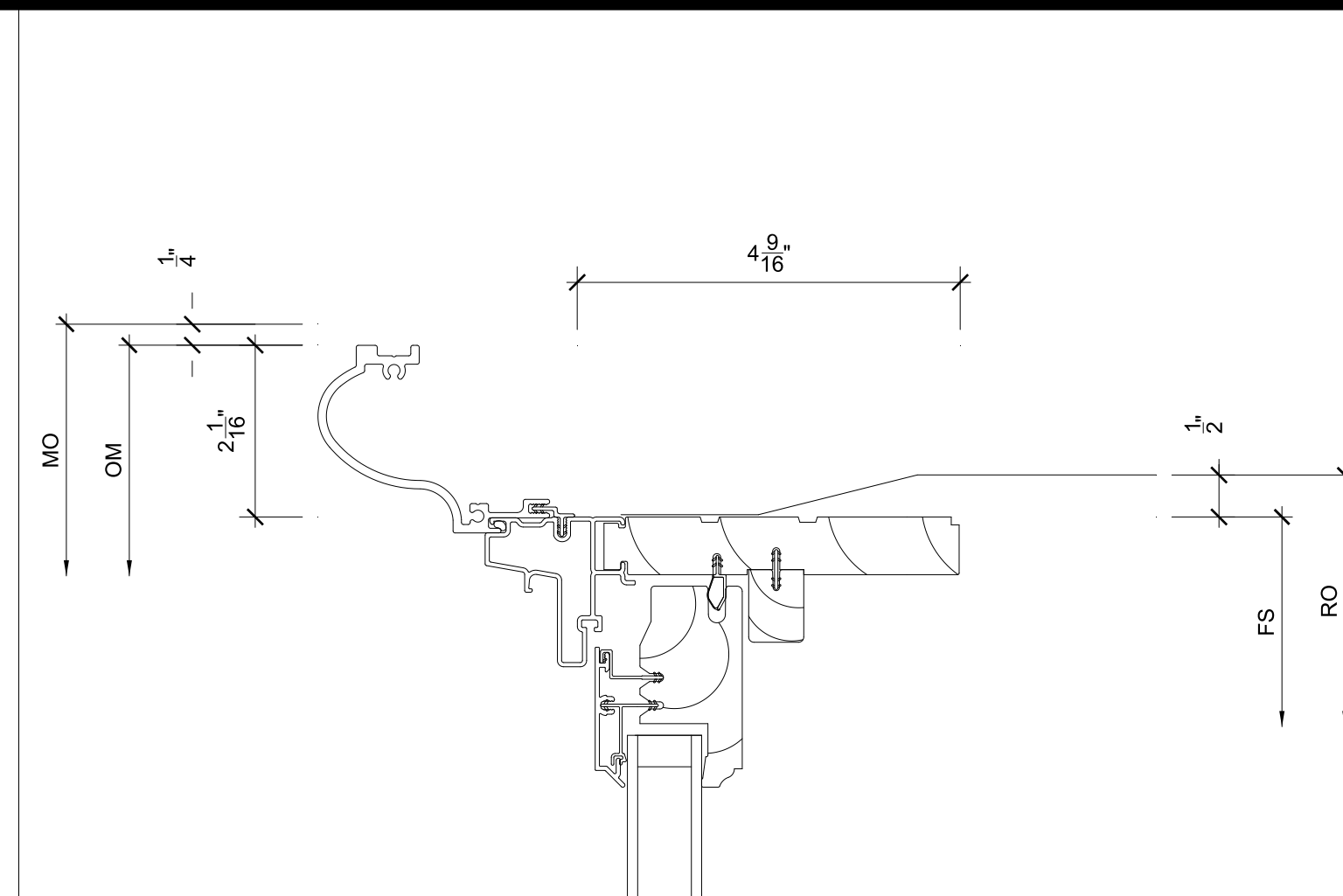
SPECIFICATIONS	
Brand: Marvin	
Series: Clad	

SIZES TO BE FIELD VERIFIED PRIOR TO ORDERING



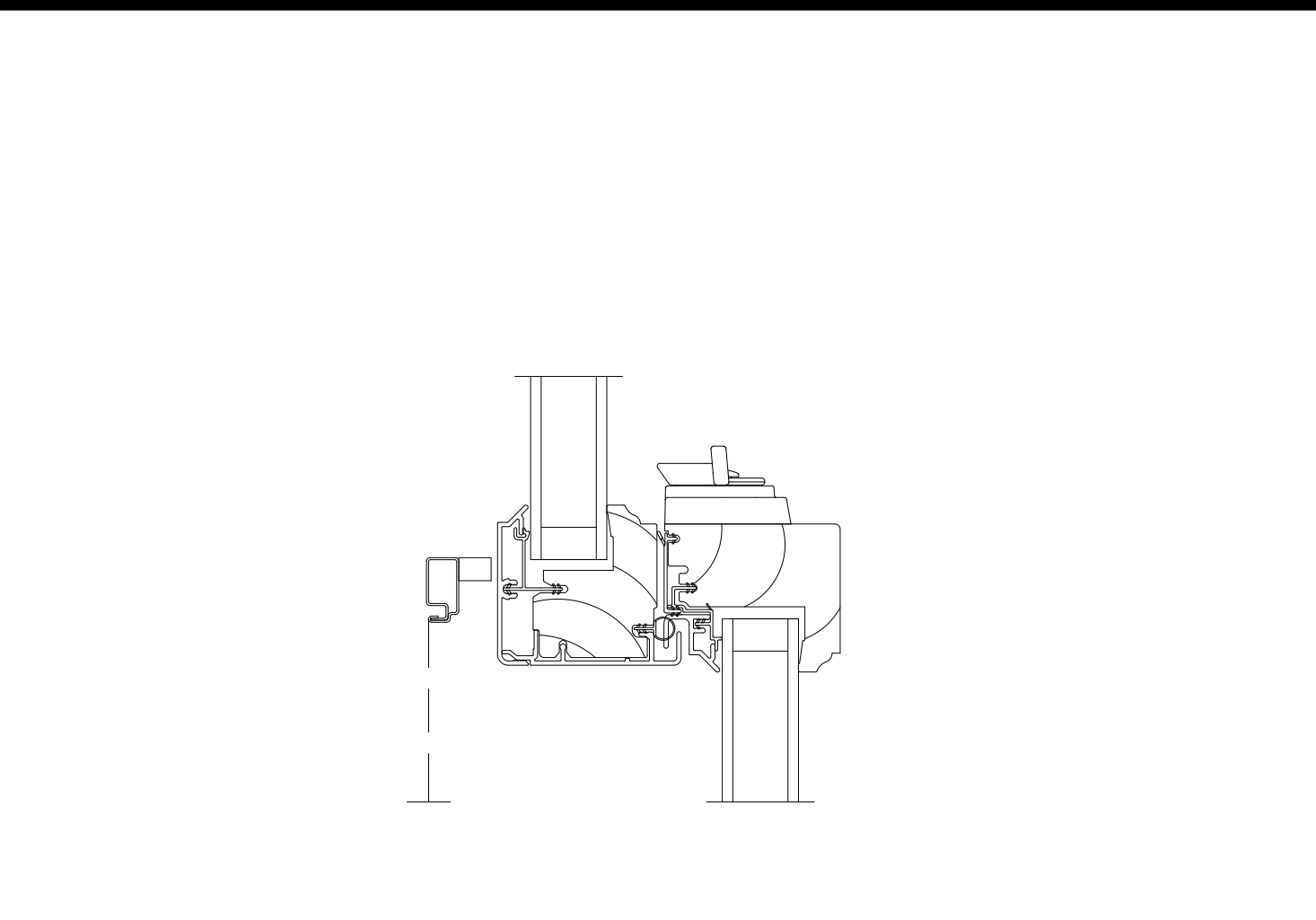
1
2 Head

SCALE: 6" = 1'-0"



4
2 Head

SCALE: 6" = 1'-0"



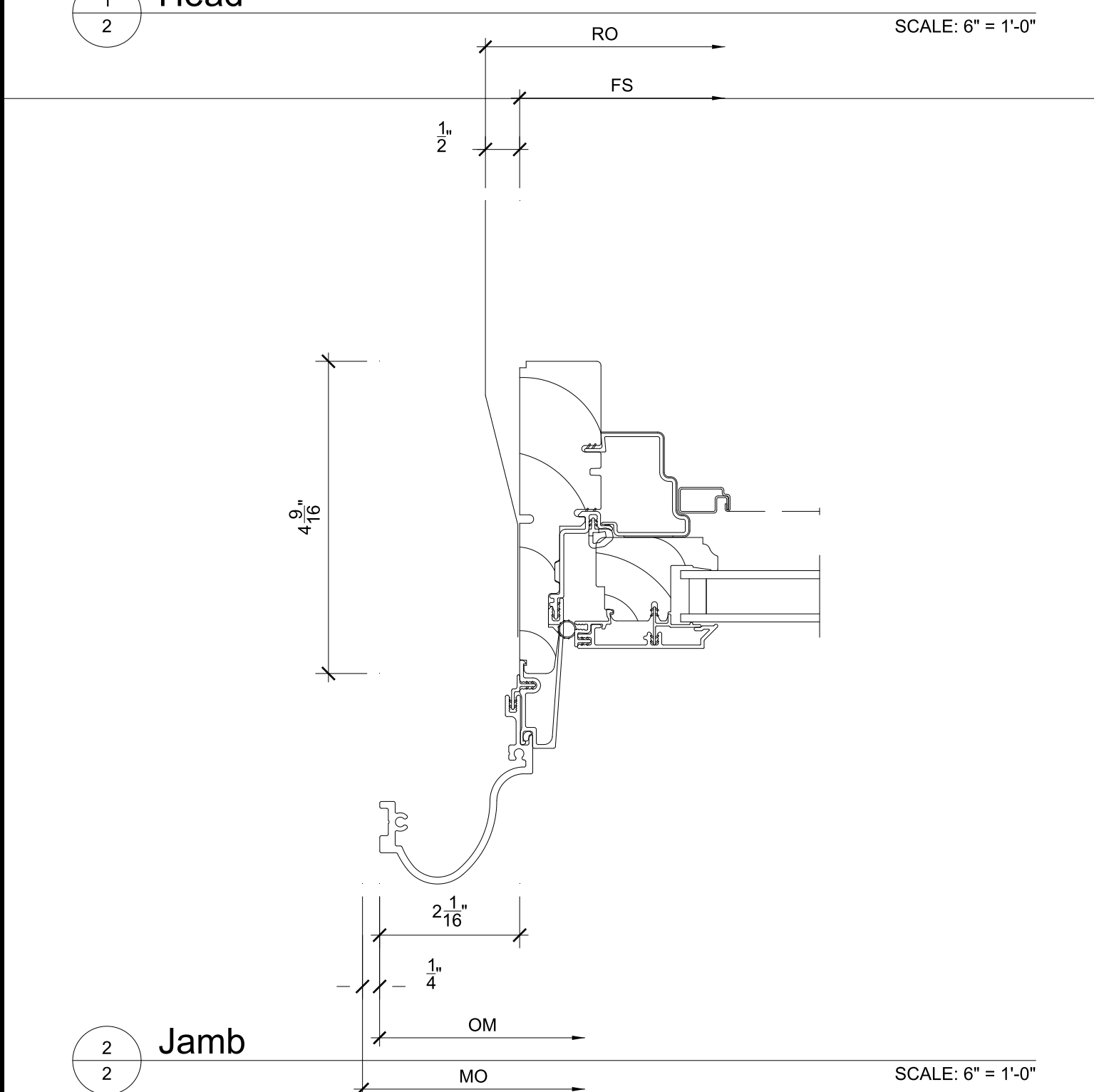
7
2 Checkrail

SCALE: 6" = 1'-0"



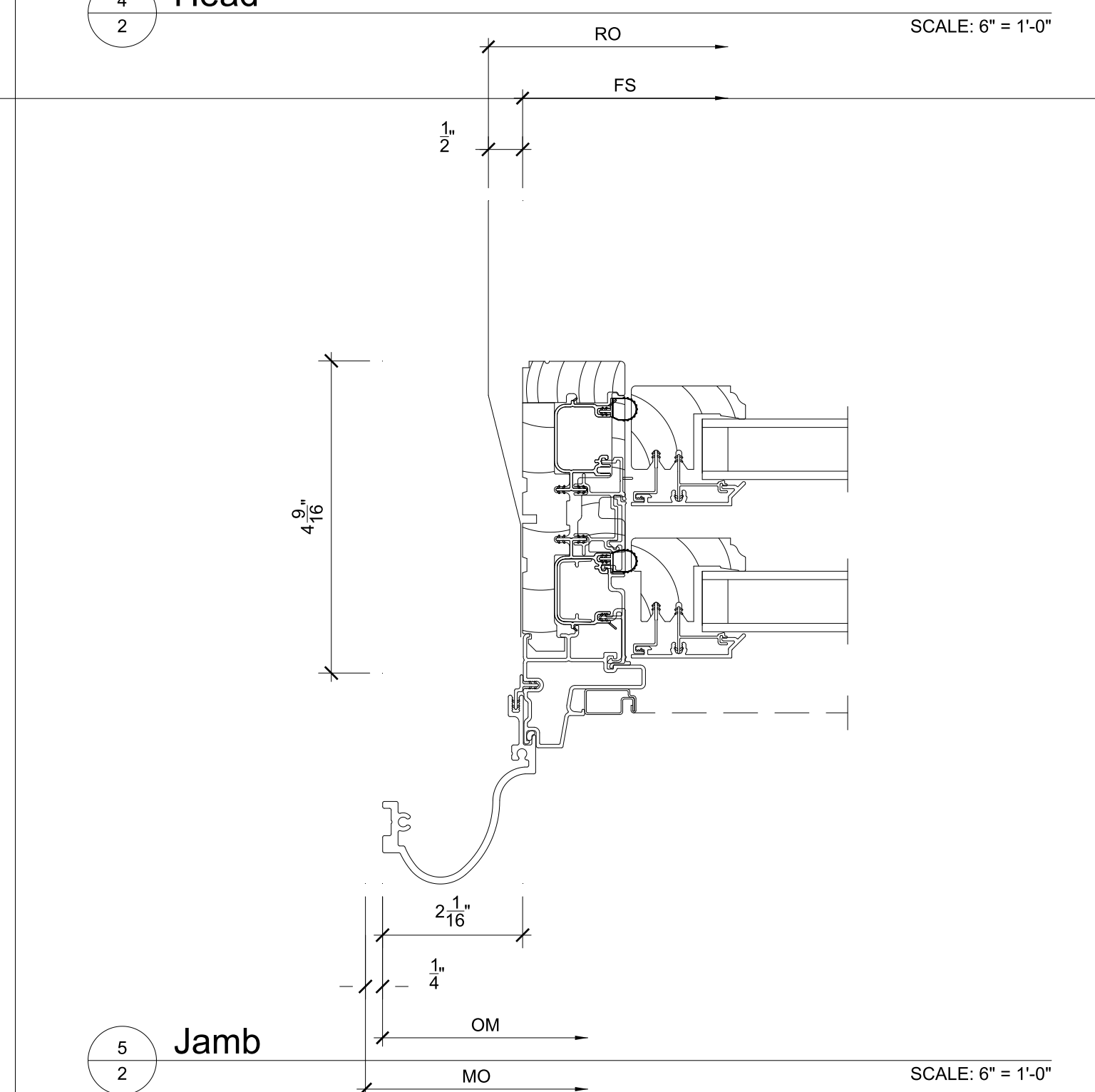
10
2 NOT USED

SCALE: 6" = 1'-0"



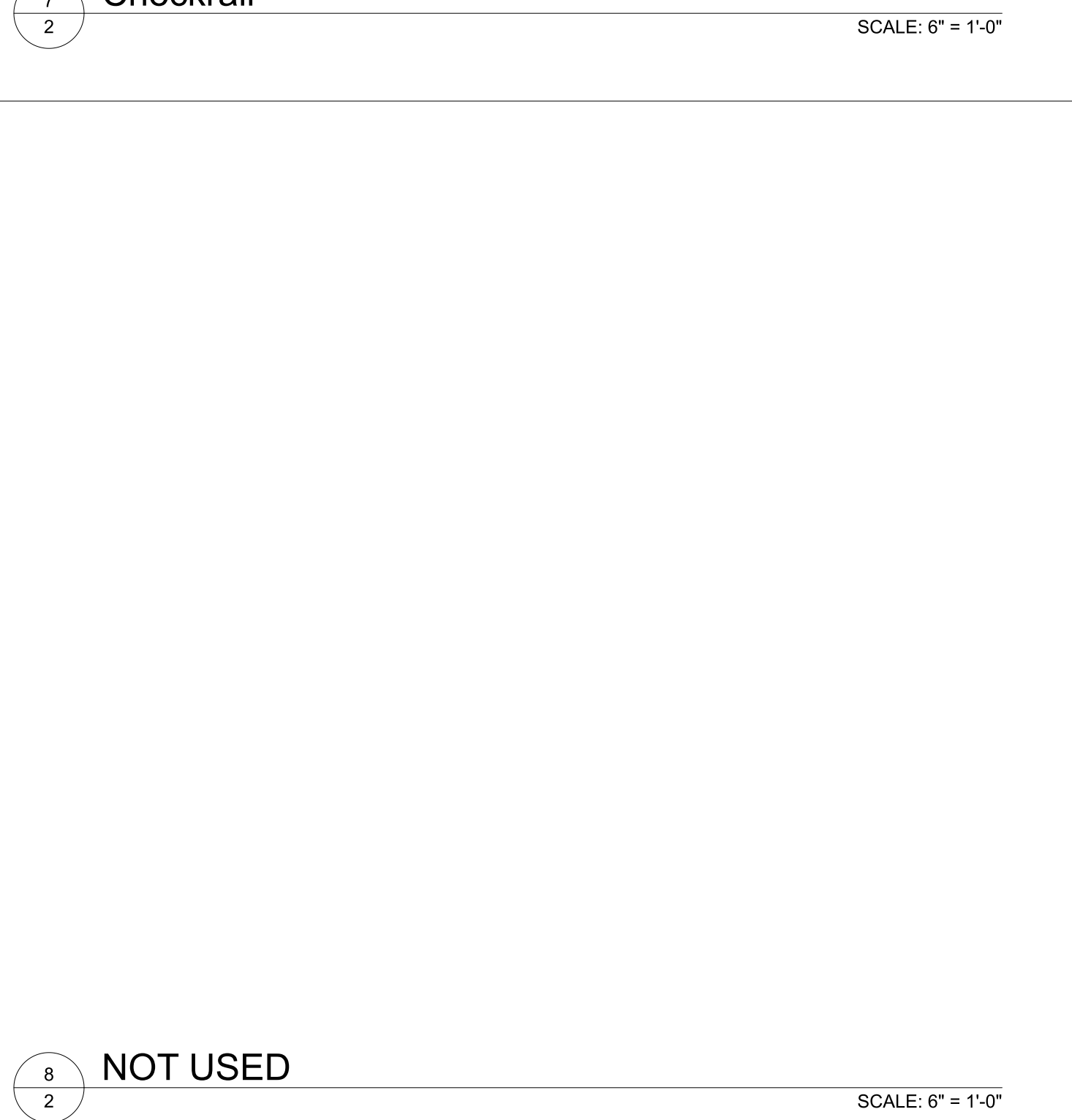
2
2 Jamb

SCALE: 6" = 1'-0"



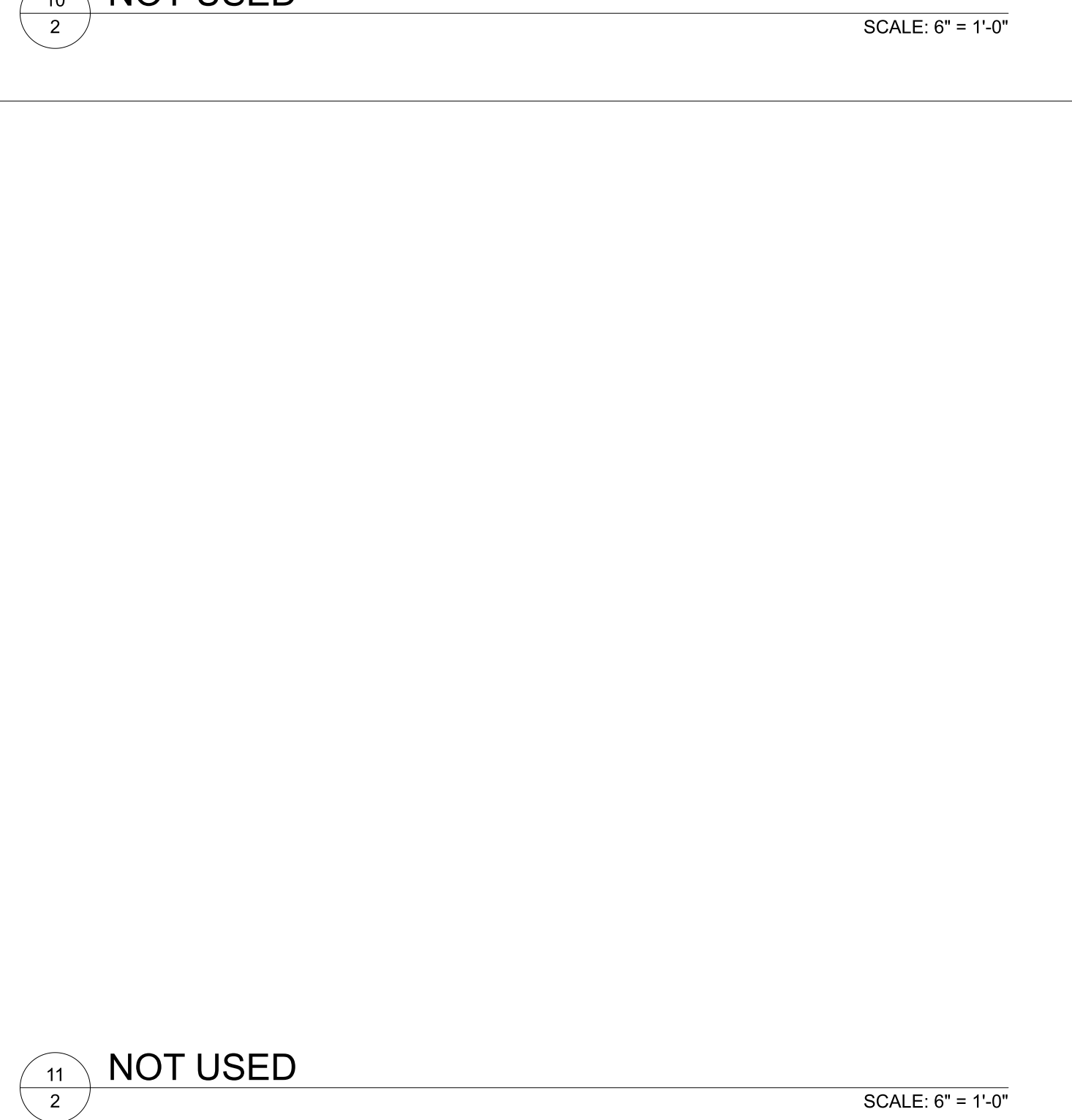
5
2 Jamb

SCALE: 6" = 1'-0"



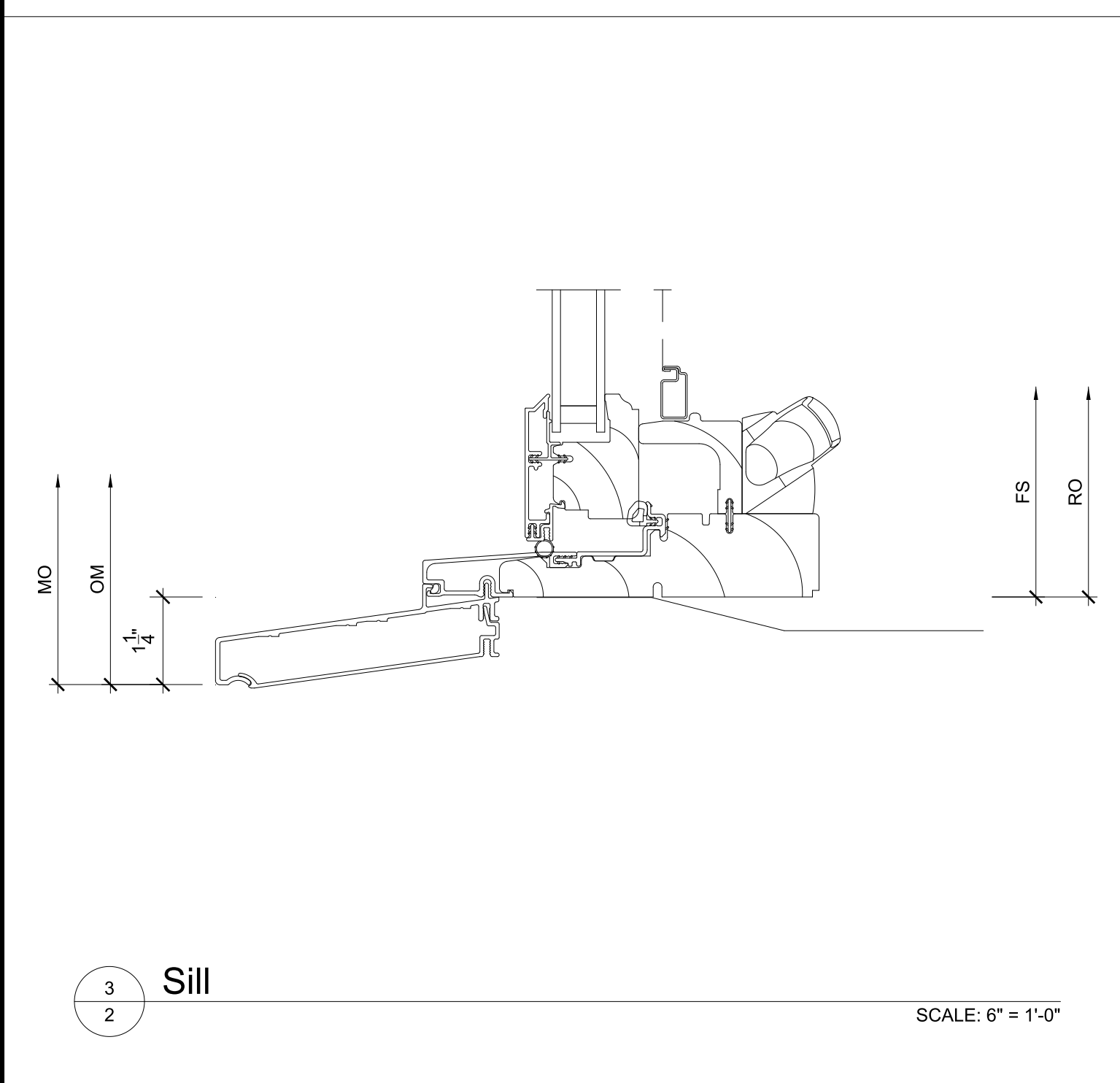
8
2 NOT USED

SCALE: 6" = 1'-0"



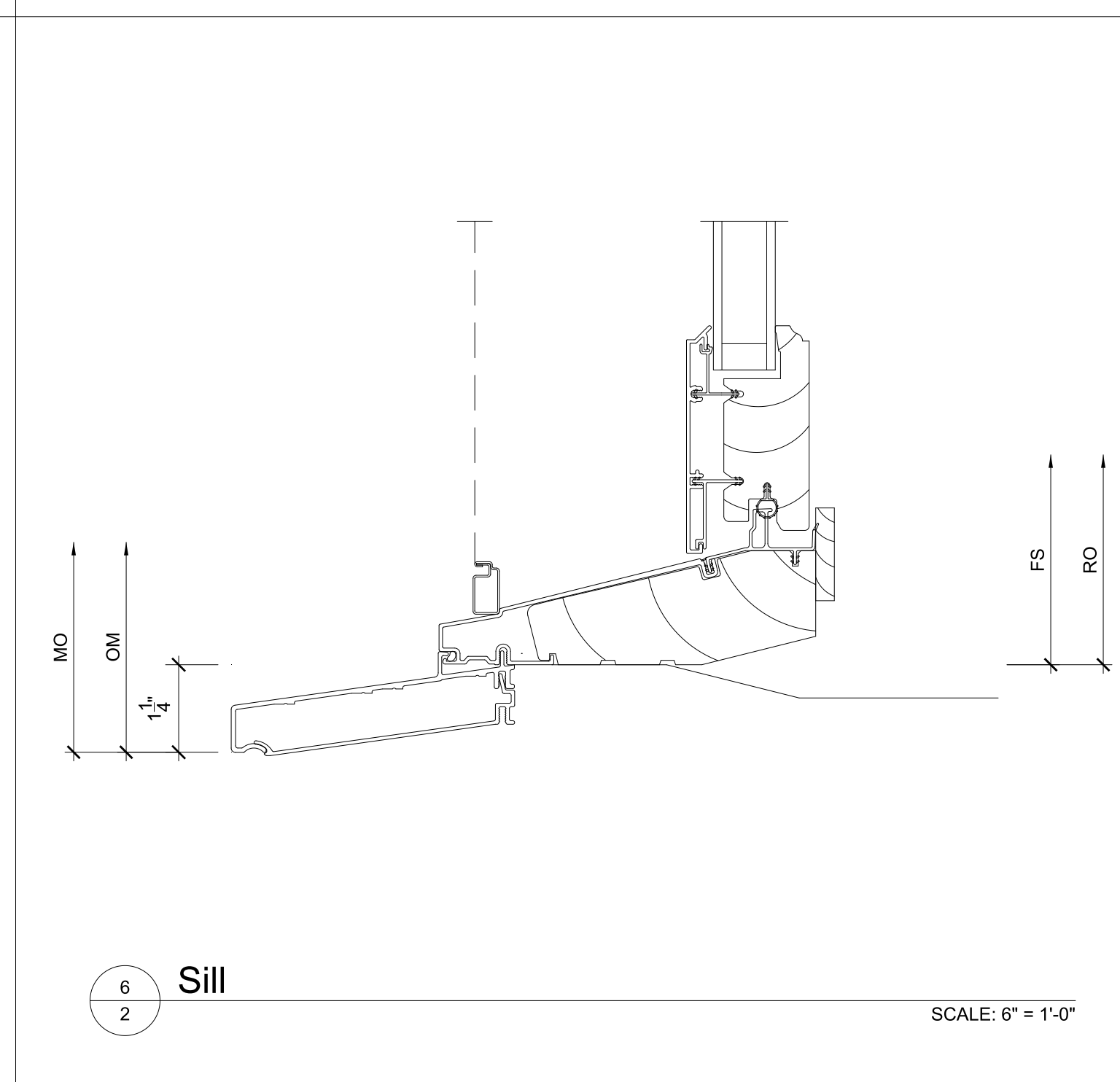
11
2 NOT USED

SCALE: 6" = 1'-0"



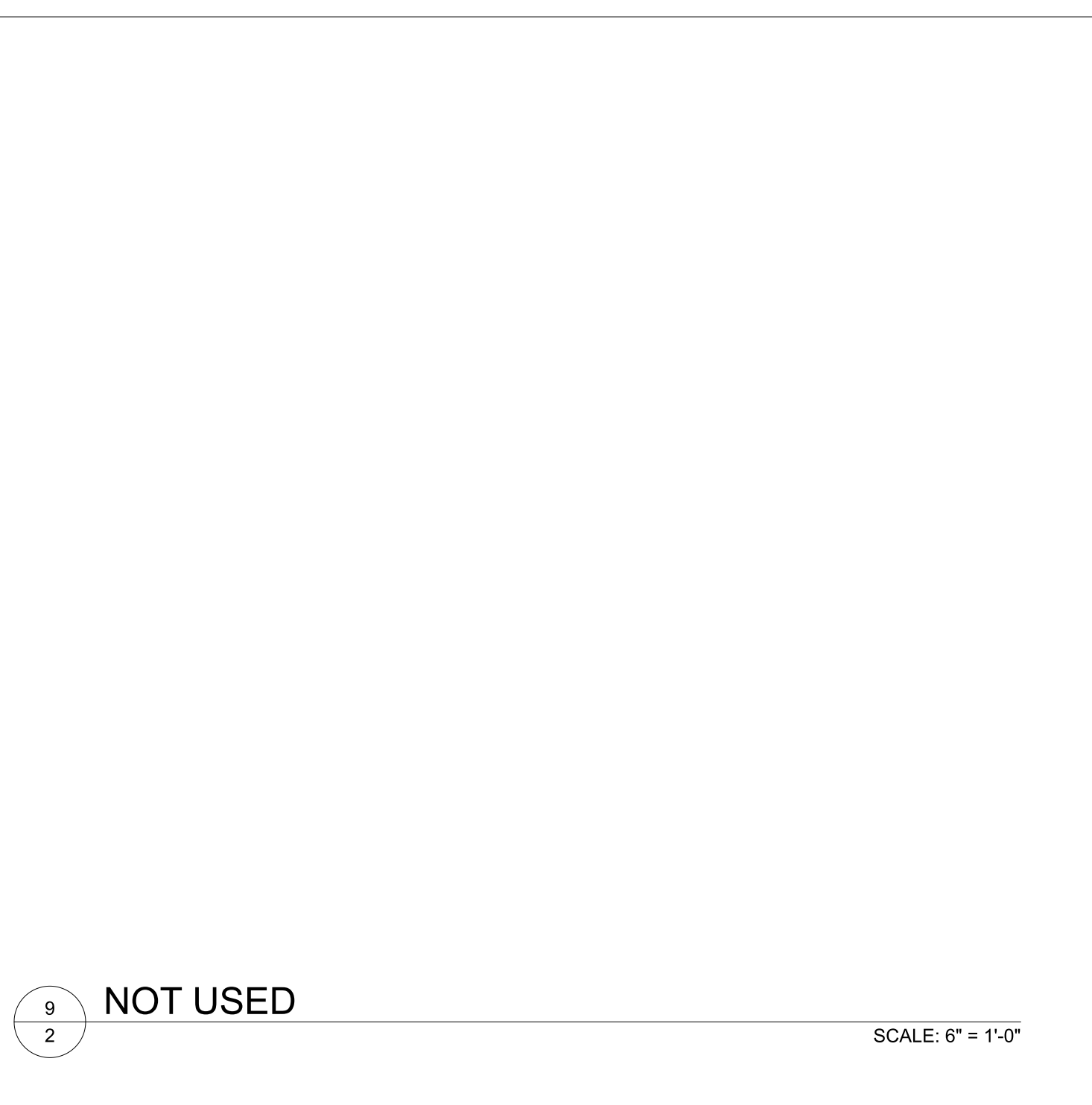
3
2 Sill

SCALE: 6" = 1'-0"



6
2 Sill

SCALE: 6" = 1'-0"



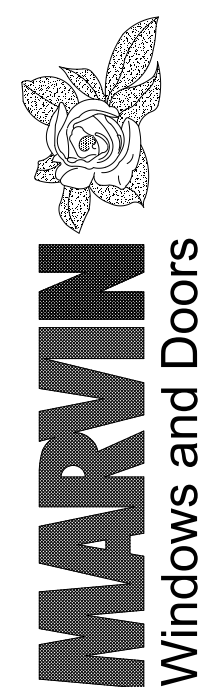
9
2 NOT USED

SCALE: 6" = 1'-0"



12
2 NOT USED

SCALE: 6" = 1'-0"



ORDERING PRODUCTS WITH REFERENCE TO SHOP DRAWINGS:
 Before ordering the Marvin Window and Door products illustrated within these shop drawings, a copy of these drawings accompanied by an approved signature of the purchaser must be returned to the Architectural Division at Marvin Windows & Doors, P.O. Box 100, Wauwatosa, Wisconsin 53095. The purchaser's signature and approval are required for reference to the approved shop drawings. Marvin Windows and Doors assumes no responsibility in guaranteeing product coordination with the drawings.

PROJ/JOB: BARRETT MADE / 585 CONGRESS ST. PORTLAND / UPDATED 7/7/16

DIST/DEALER: ELDRIDGE LUMBER & HARDWARE-YORK-GO

DRAWN: PETER FLEISHMAN

QUOTE#: 2CJD612 PK VERSION: 0002.09.00

CREATED: 07/07/2016

REVISION: