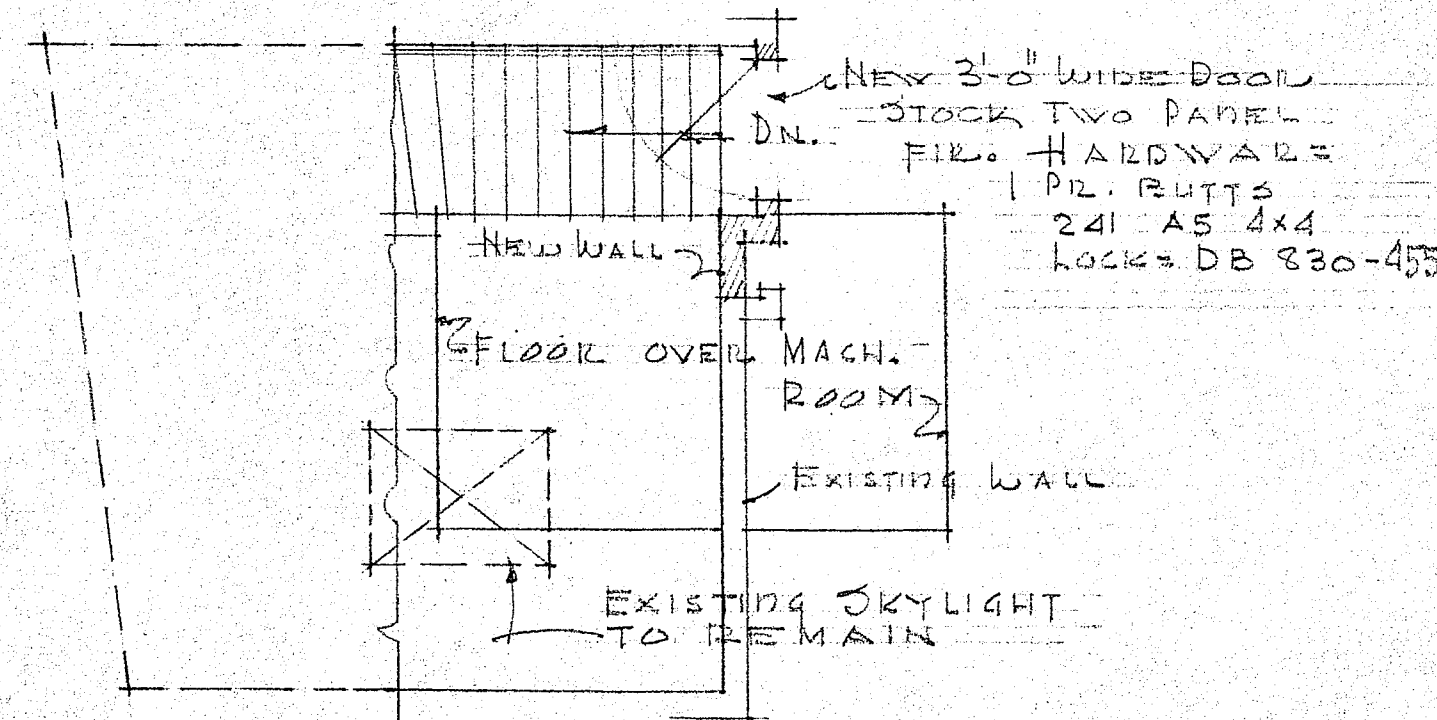
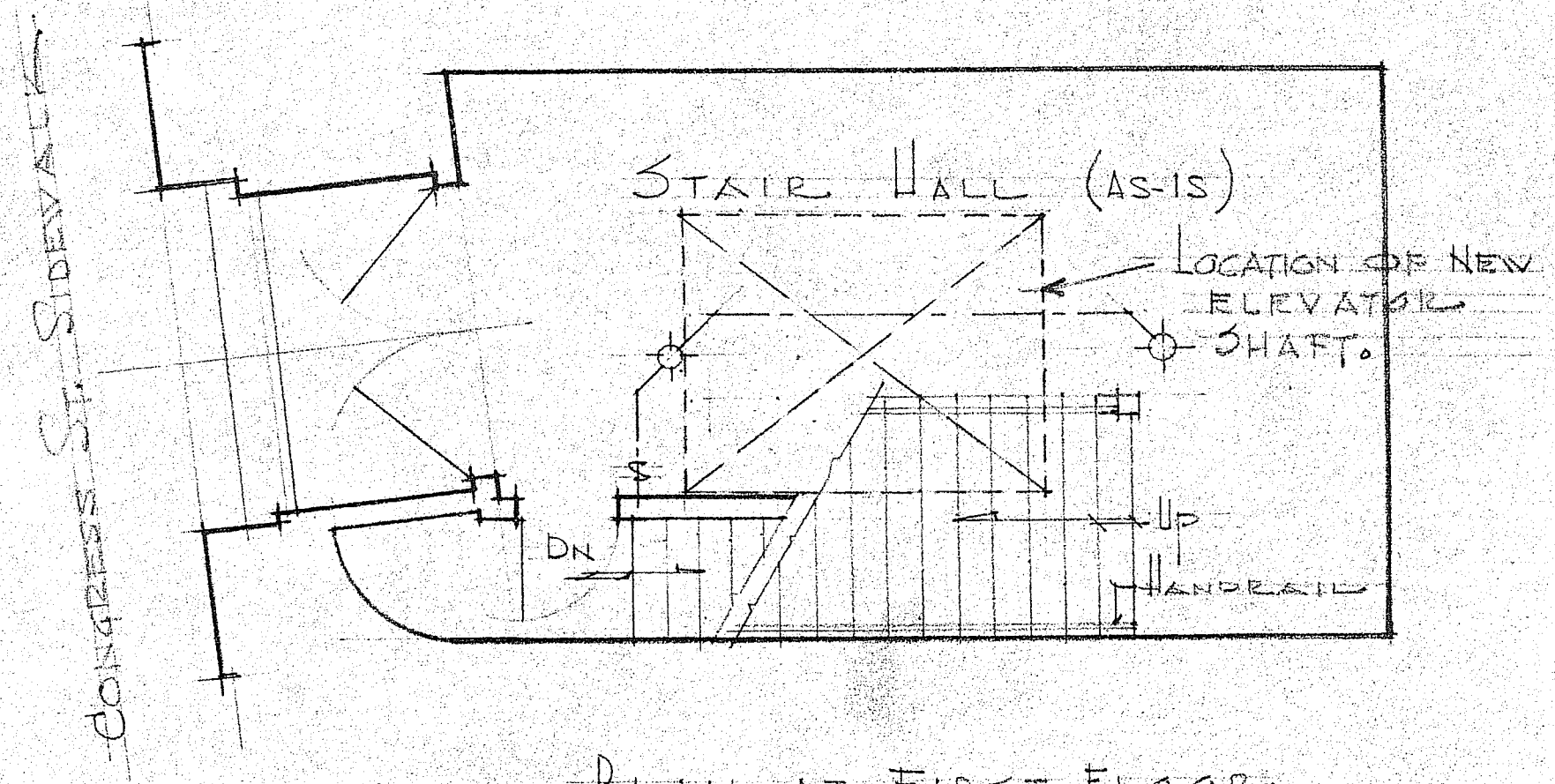


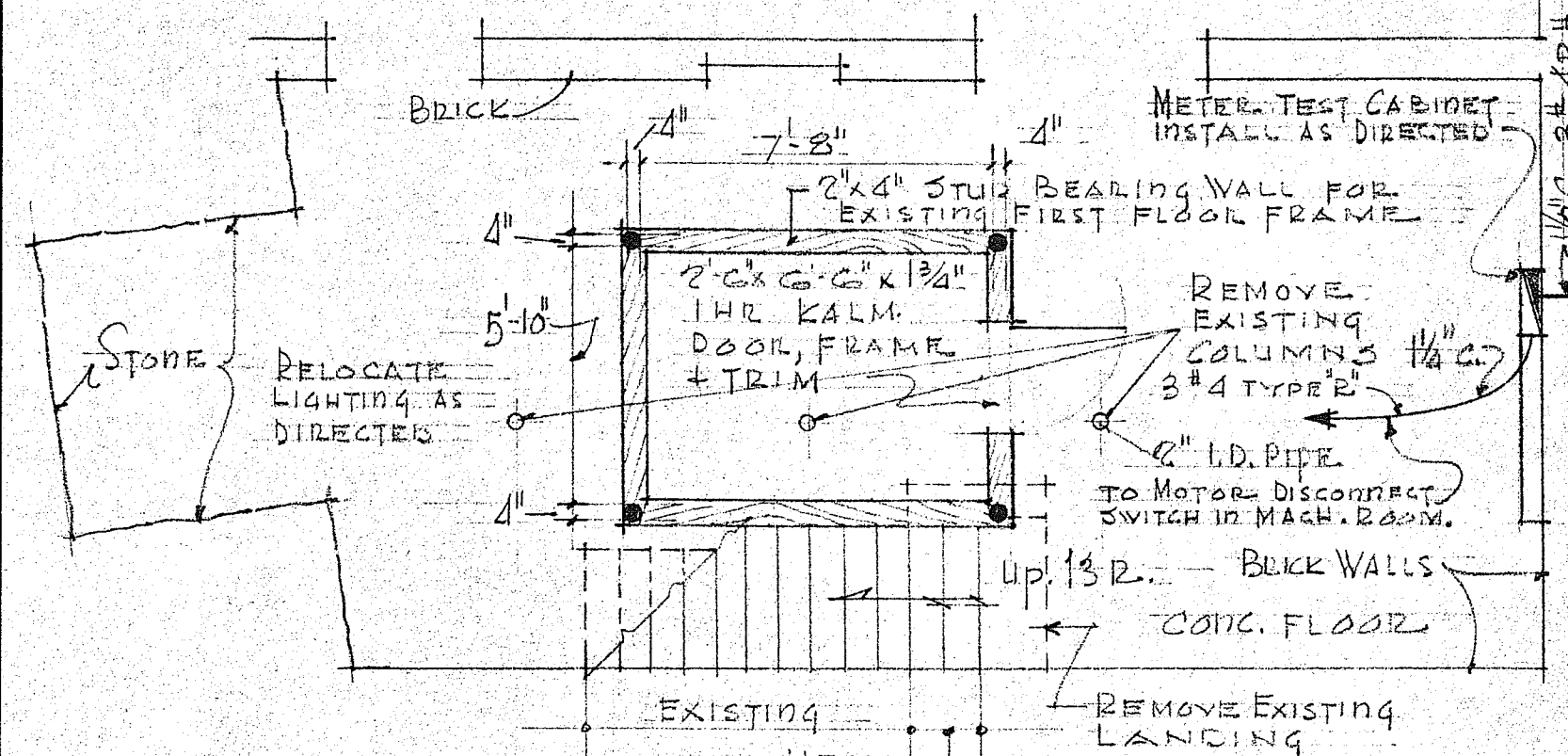
PLAN AT ELEVATOR MACHINE ROOM  
1/4" = 1'-0"



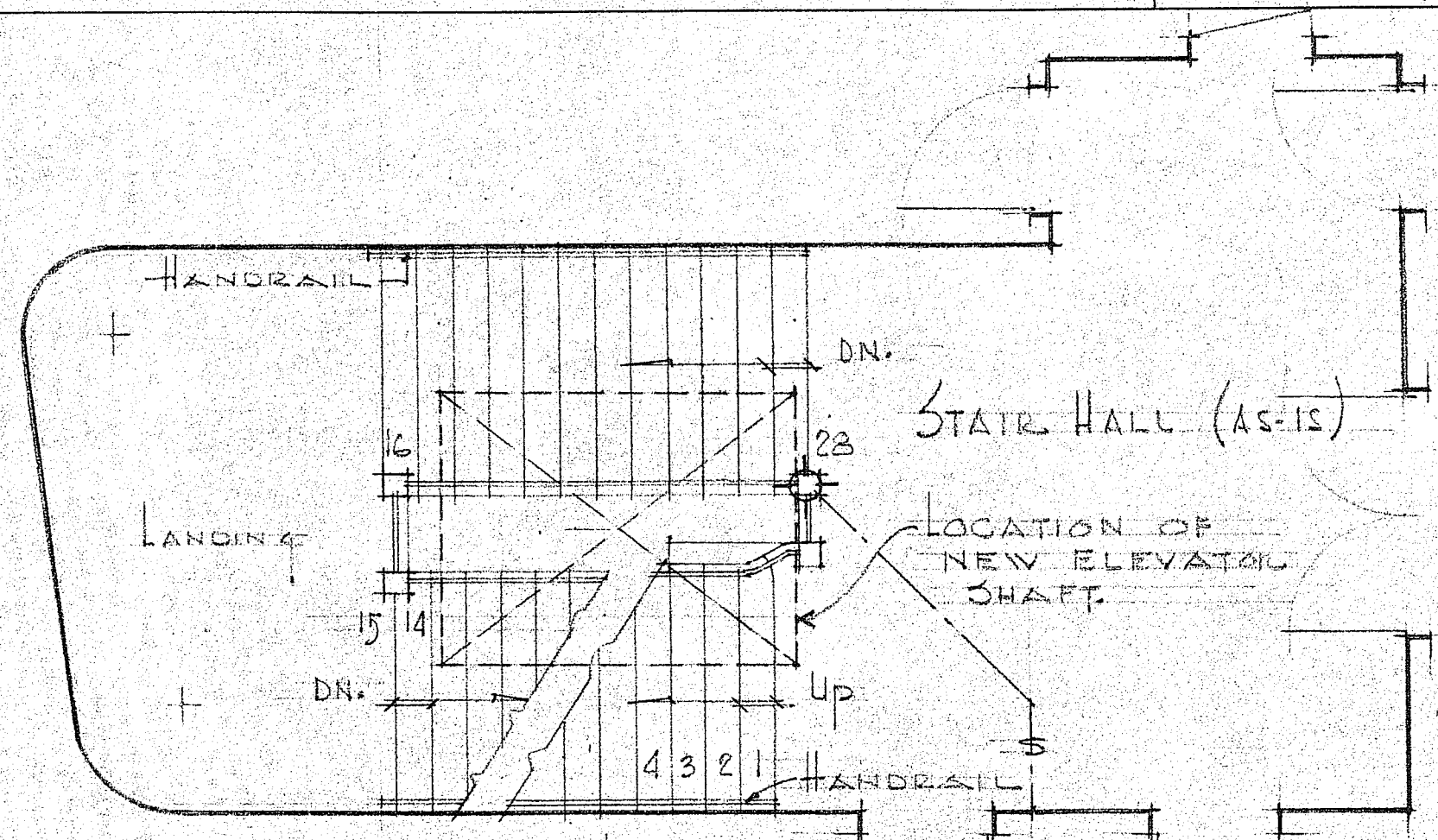
PLAN AT "X" SEE SHEET NO. 1  
1/4" = 1'-0"



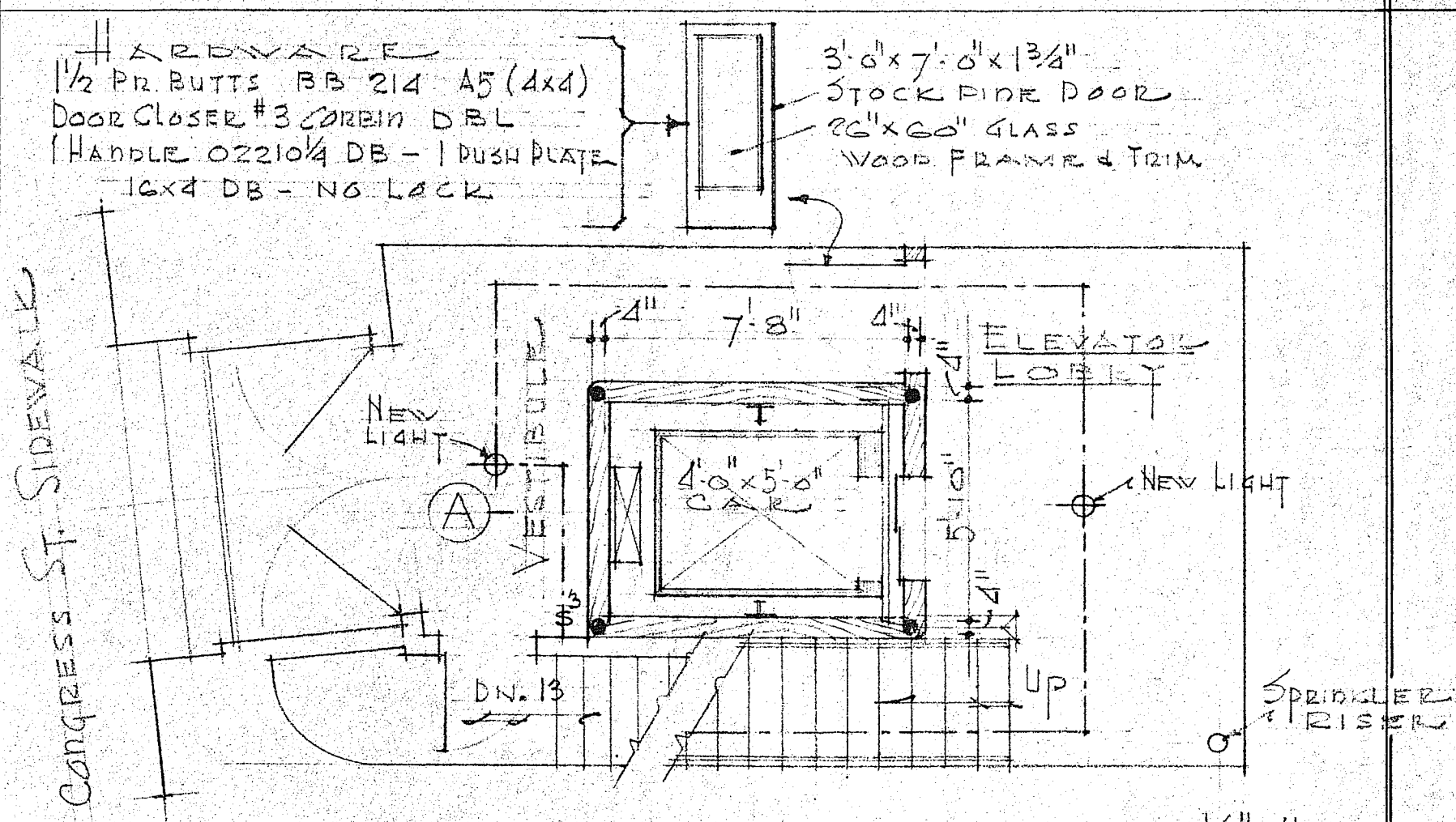
PLAN AT FIRST FLOOR



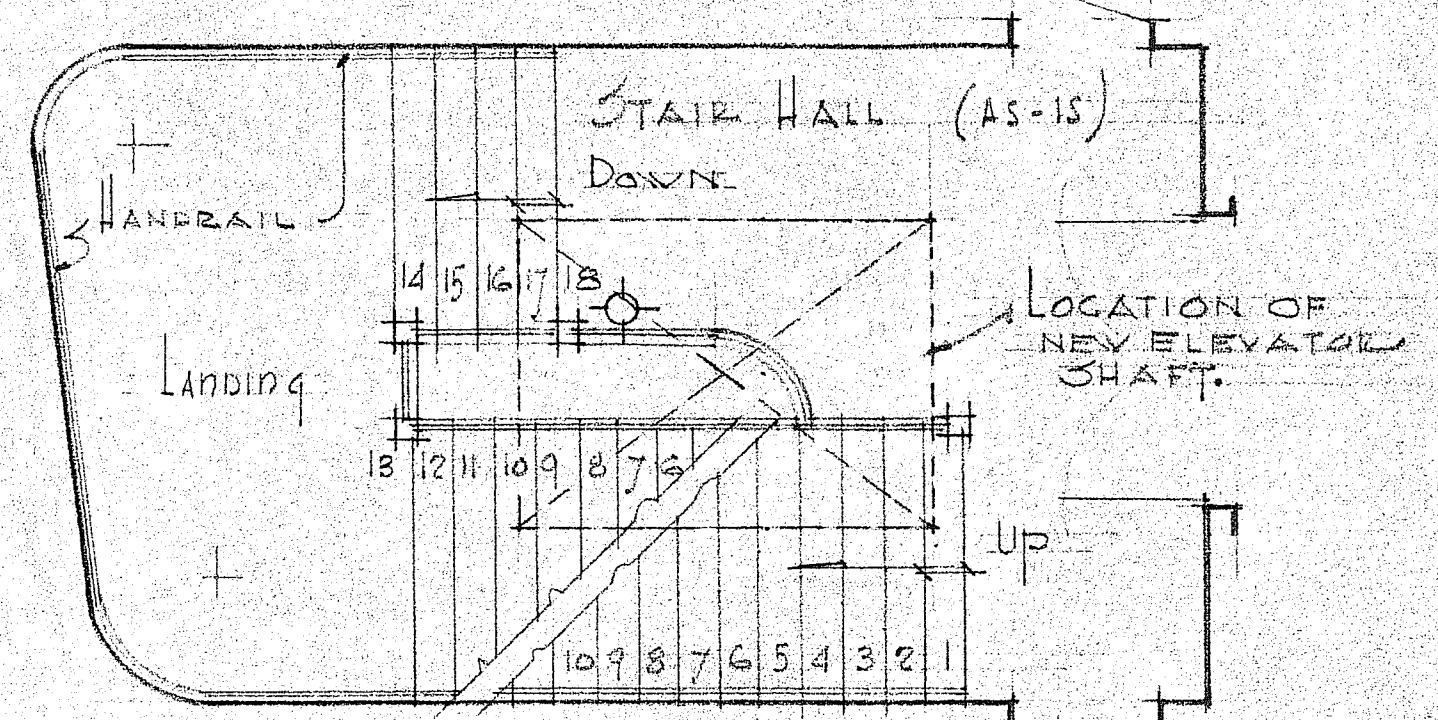
BASEMENT PLAN  
1/4" = 1'-0"



PLAN AT SECOND FLOOR



PLAN AT FIRST FLOOR  
1/4" = 1'-0"



PLAN AT THIRD FLOOR

PLAN OF FIRST, SECOND AND THIRD FLOOR STAIR HALLS SHOWING EXISTING STAIRS. SCALE 1/4" = 1'-0"

No.	REVISIONS	DATE	BY
PLANS AT VARIOUS FLOORS SCALE AS NOTED			
PLANS SHOWING CHANGES IN STAIRS AND ADDITION OF ELEVATOR ENCLOSURE			
AT THE MAINE CHARITABLE MECHANICS ASS'N. 519 CONGRESS ST. PORTLAND, ME.			
17 SEPT 56	MILLER + BEAL INC.		SHEET
	ARCHITECTS		4
	PORTLAND, MAINE.		

