

GAWRON TURGEON ARCHITECTS
 29 Black Point Road
 Scarborough, ME 04074
 www.gawronturgeon.com
 Tel. 207. 883. 6307
 Fax. 207. 883. 0361

DAWSON SMITH PURVIS & BASSETT
 15 CASCO STREET
 PORTLAND, MAINE

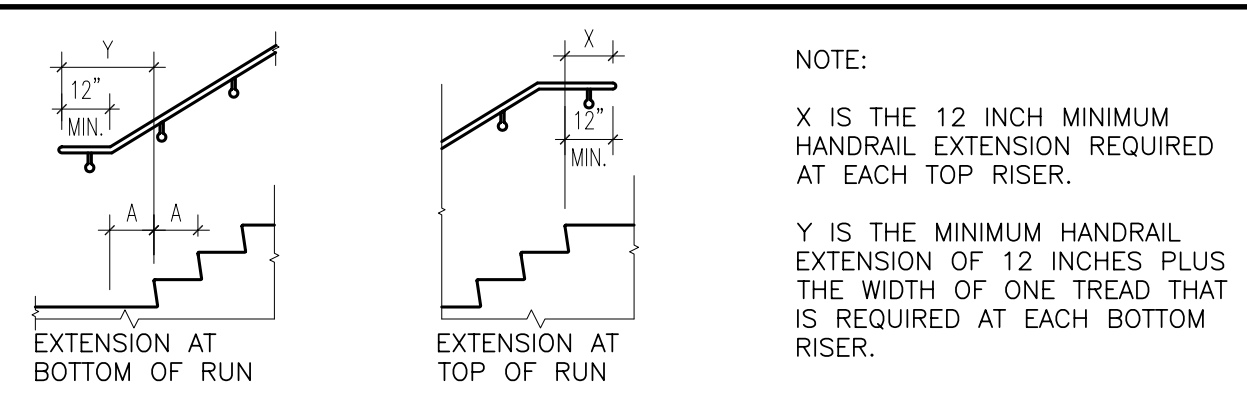
REVISIONS	
#	DESCRIPTION

DATE:	11-02-06
PROJECT #:	070606
DRAWN BY:	RLA
CHECKED BY:	MET
DRAWING SCALE:	AS NOTED

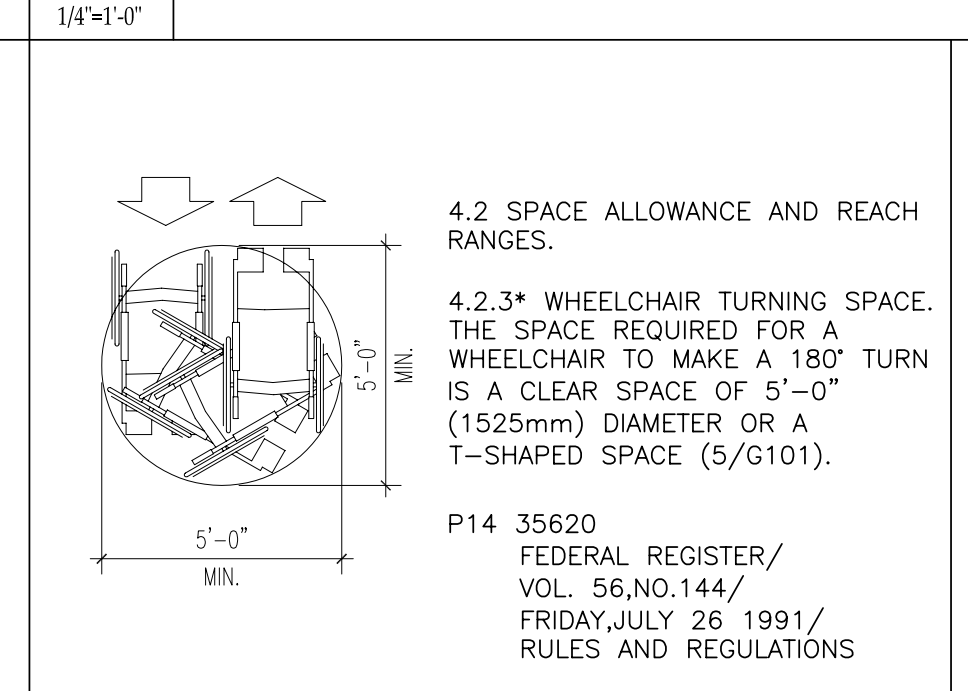
SHEET TITLE
 TYPICAL ADA SHEET

G102

© COPYRIGHT 1985-2006
 PRODUCTION OR REUSE OF THIS
 DOCUMENT WITHOUT WRITTEN
 PERMISSION OF GAWRON TURGEON
 ARCHITECTS IS PROHIBITED.

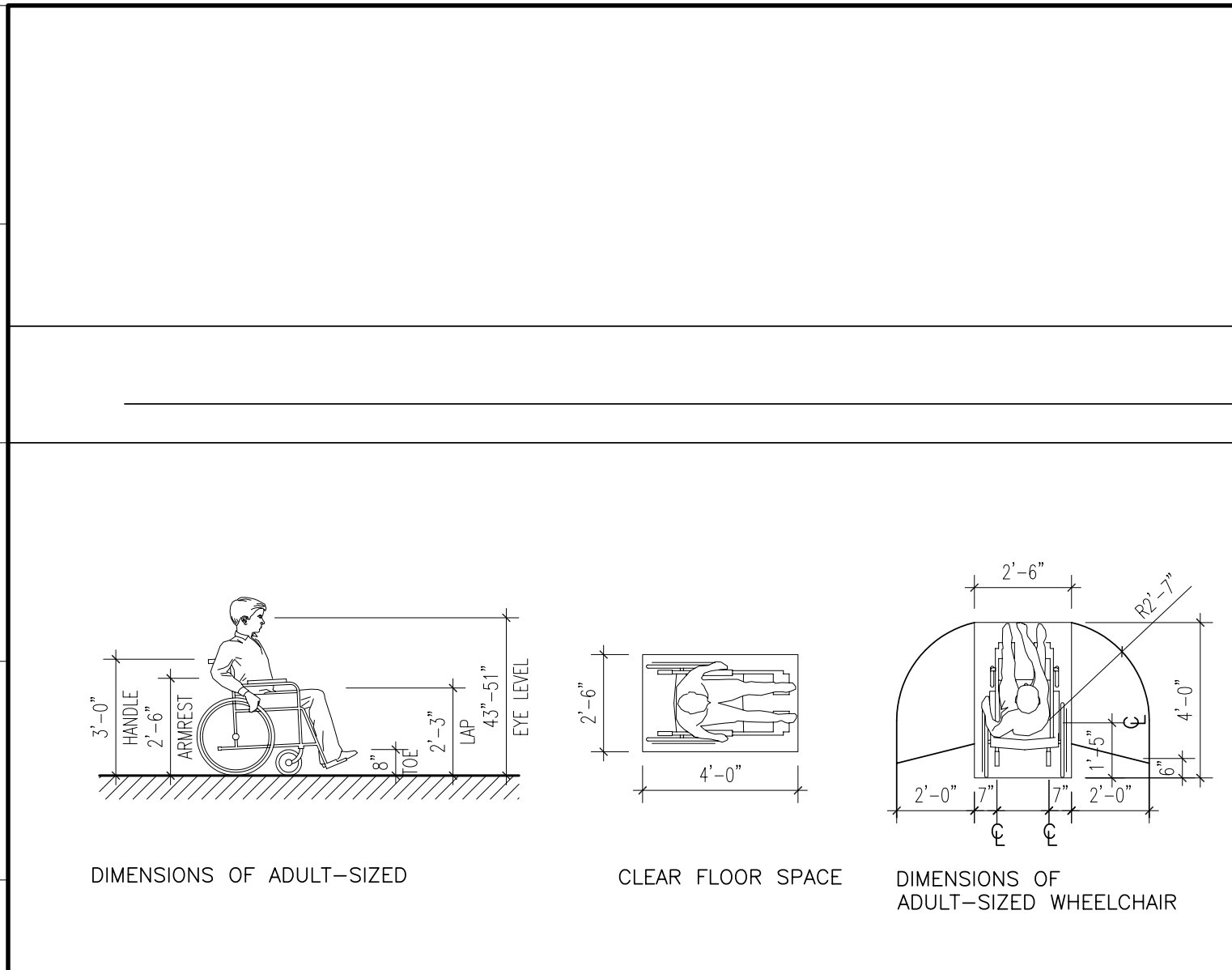


P14 STAIR HANDRAIL EXTENSION

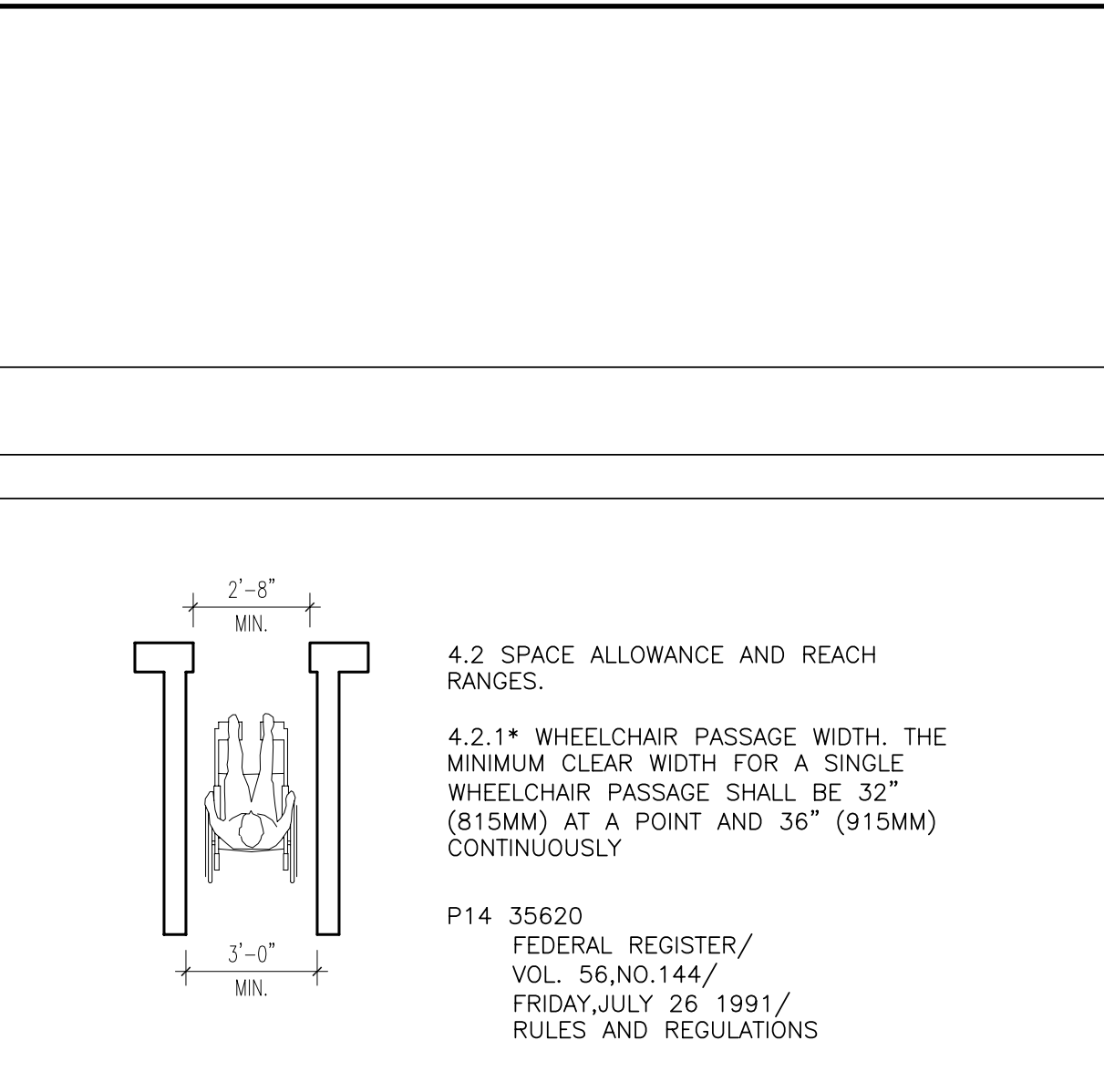


M14 TURNING SPACE

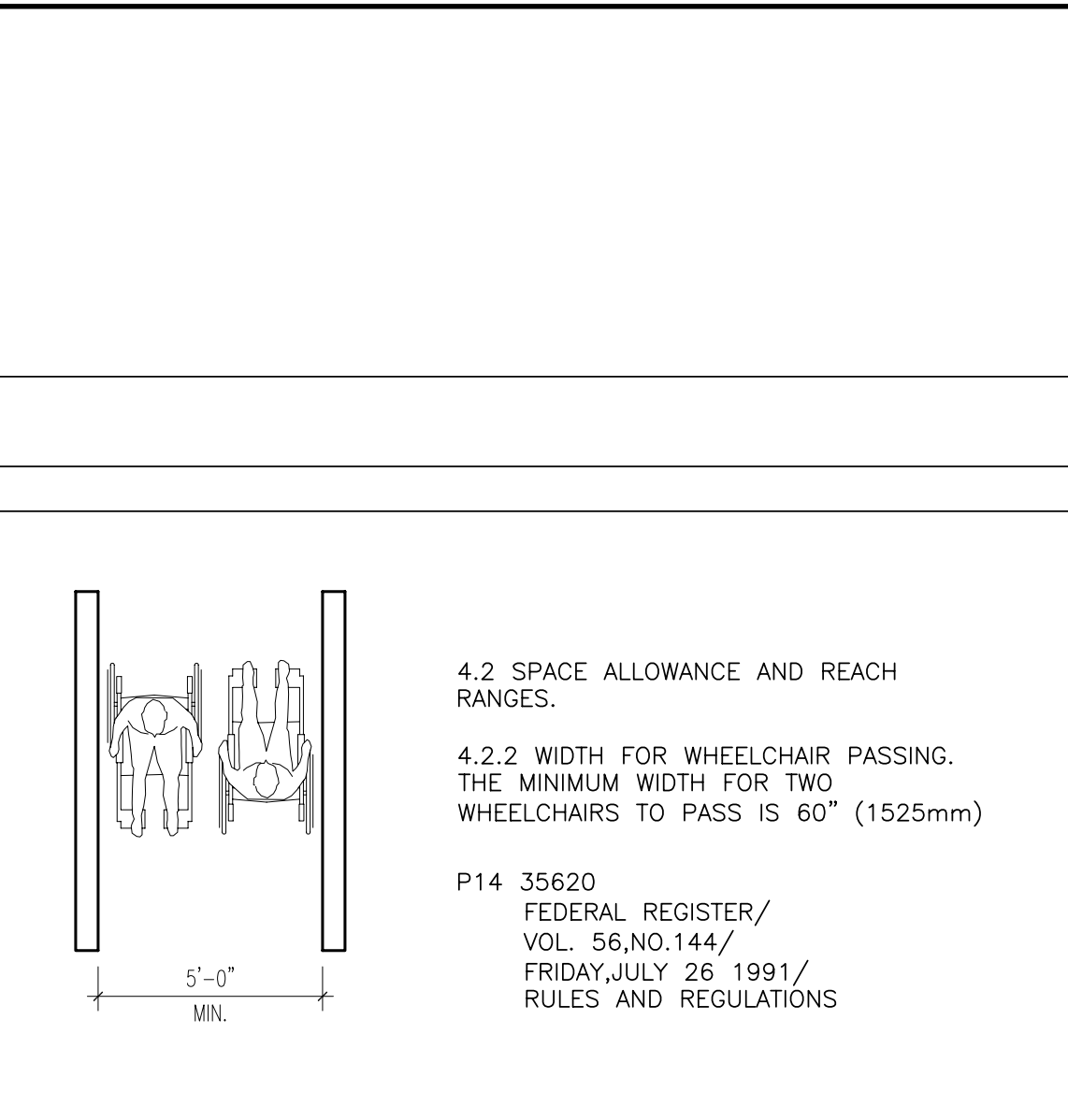
M17 CANE CLEARANCES



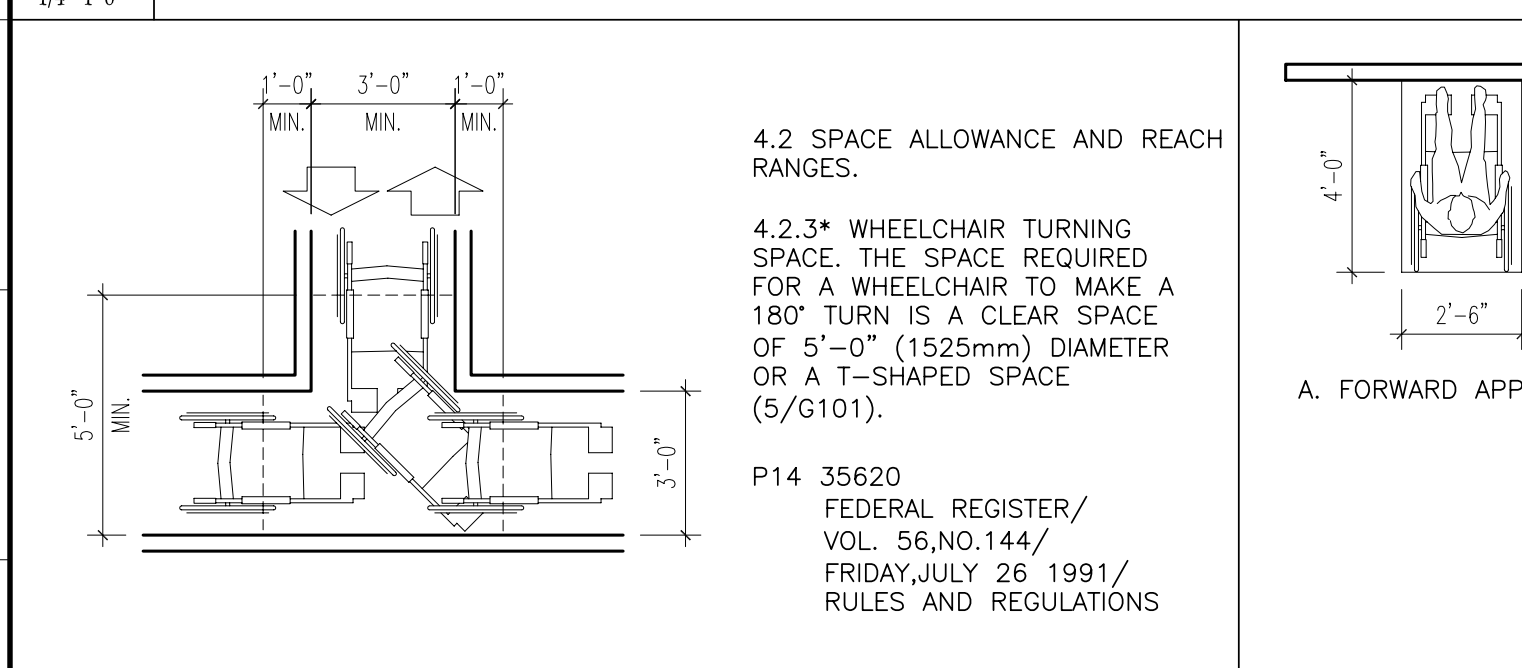
M1 ADULT-SIZED WHEELCHAIR DETAILS



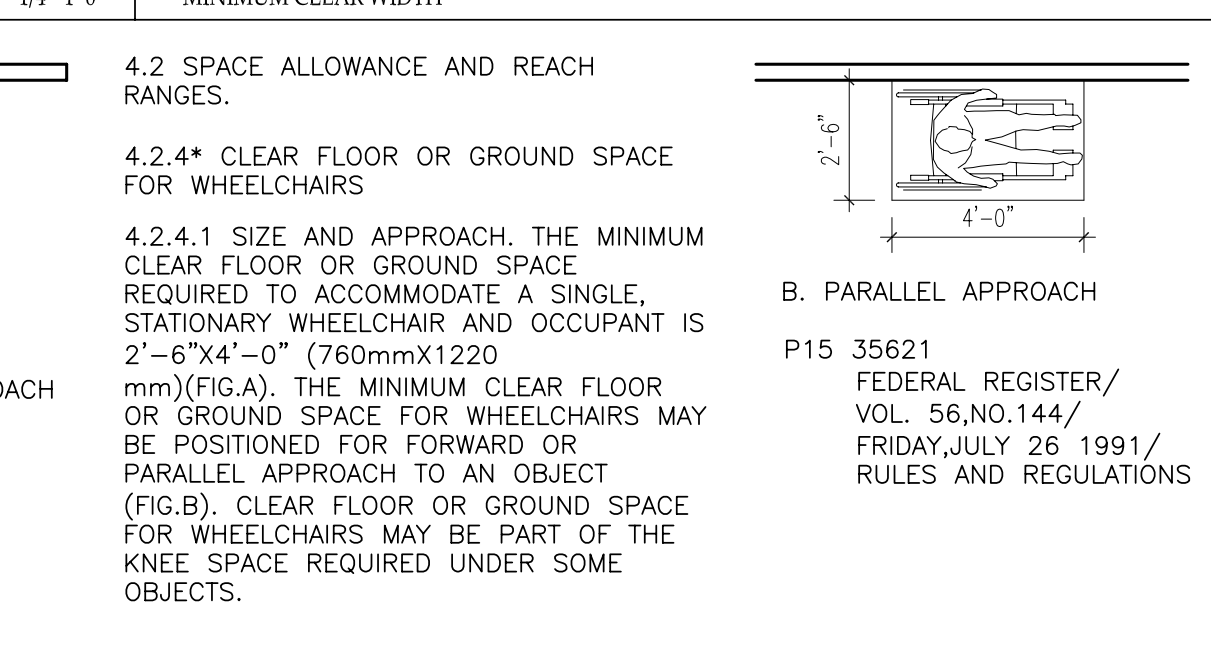
M6 SINGLE WHEELCHAIR



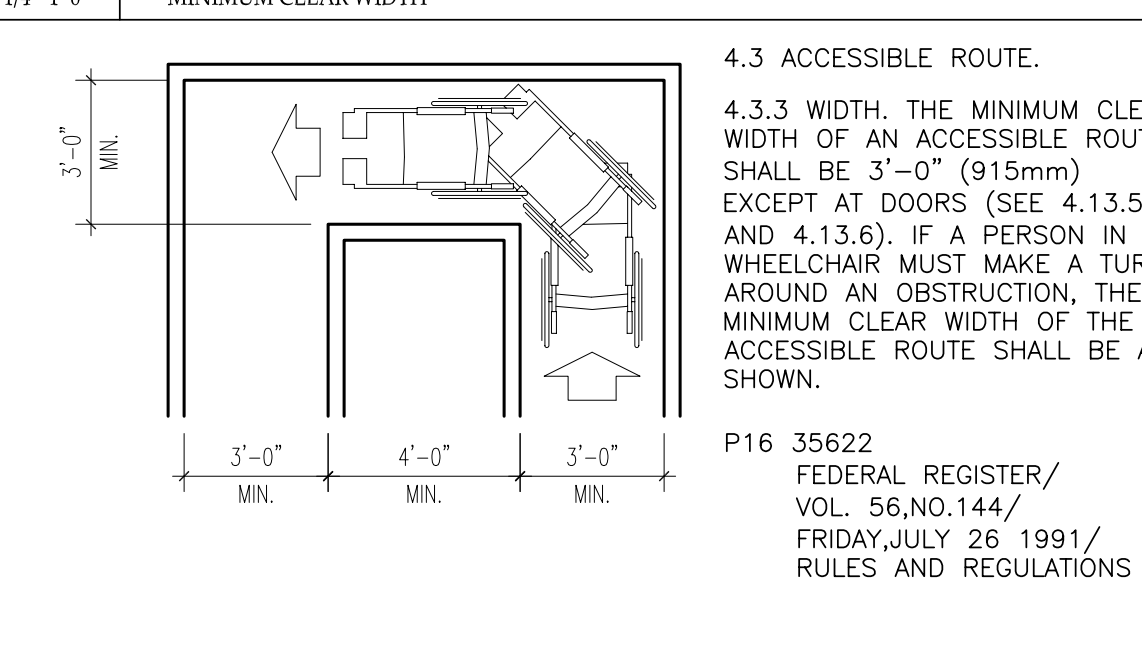
M10 TWO WHEELCHAIR



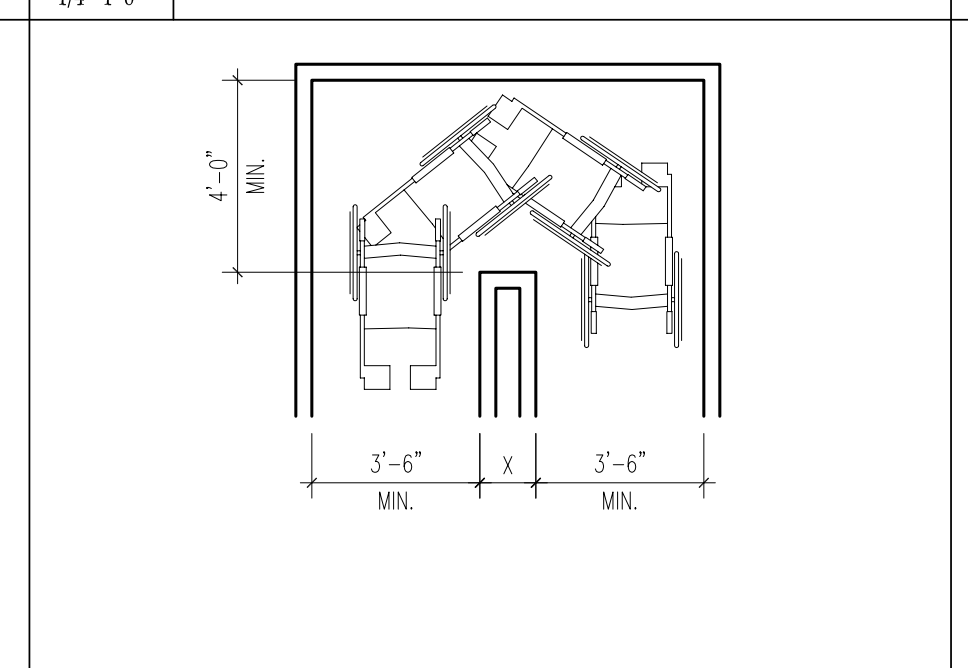
J1 T-SHAPED SPACE FOR 180° TURNS



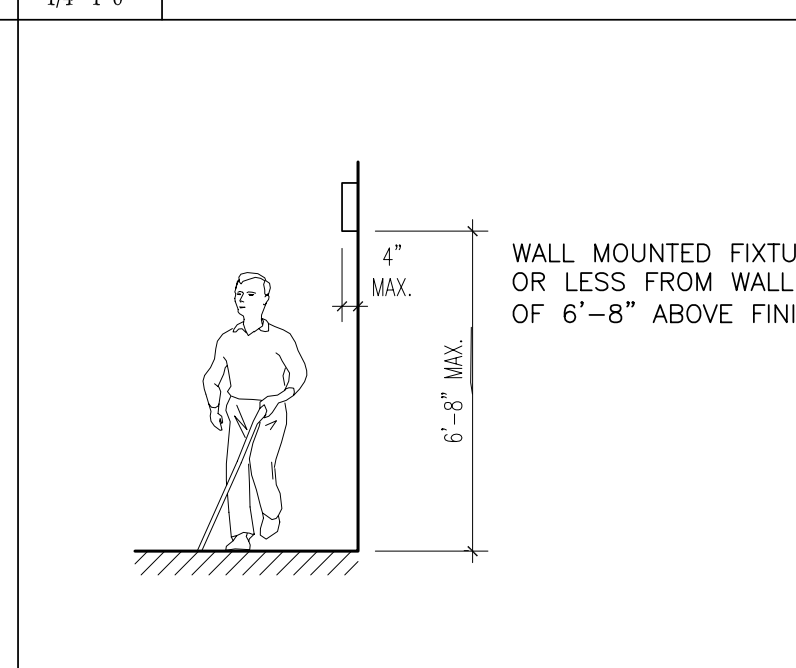
J5 FORWARD AND PARALLEL APPROACHES



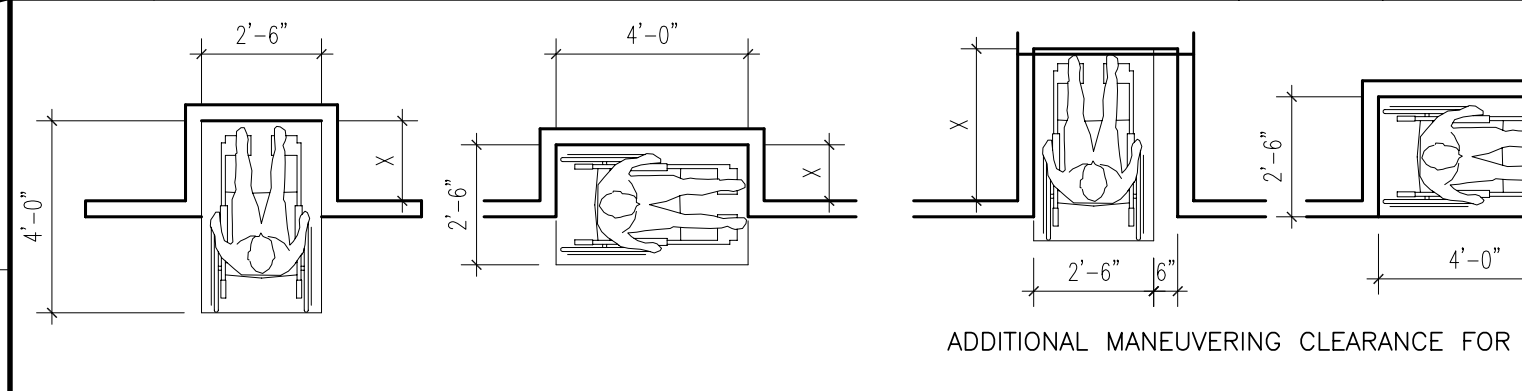
J10 90° TURNS



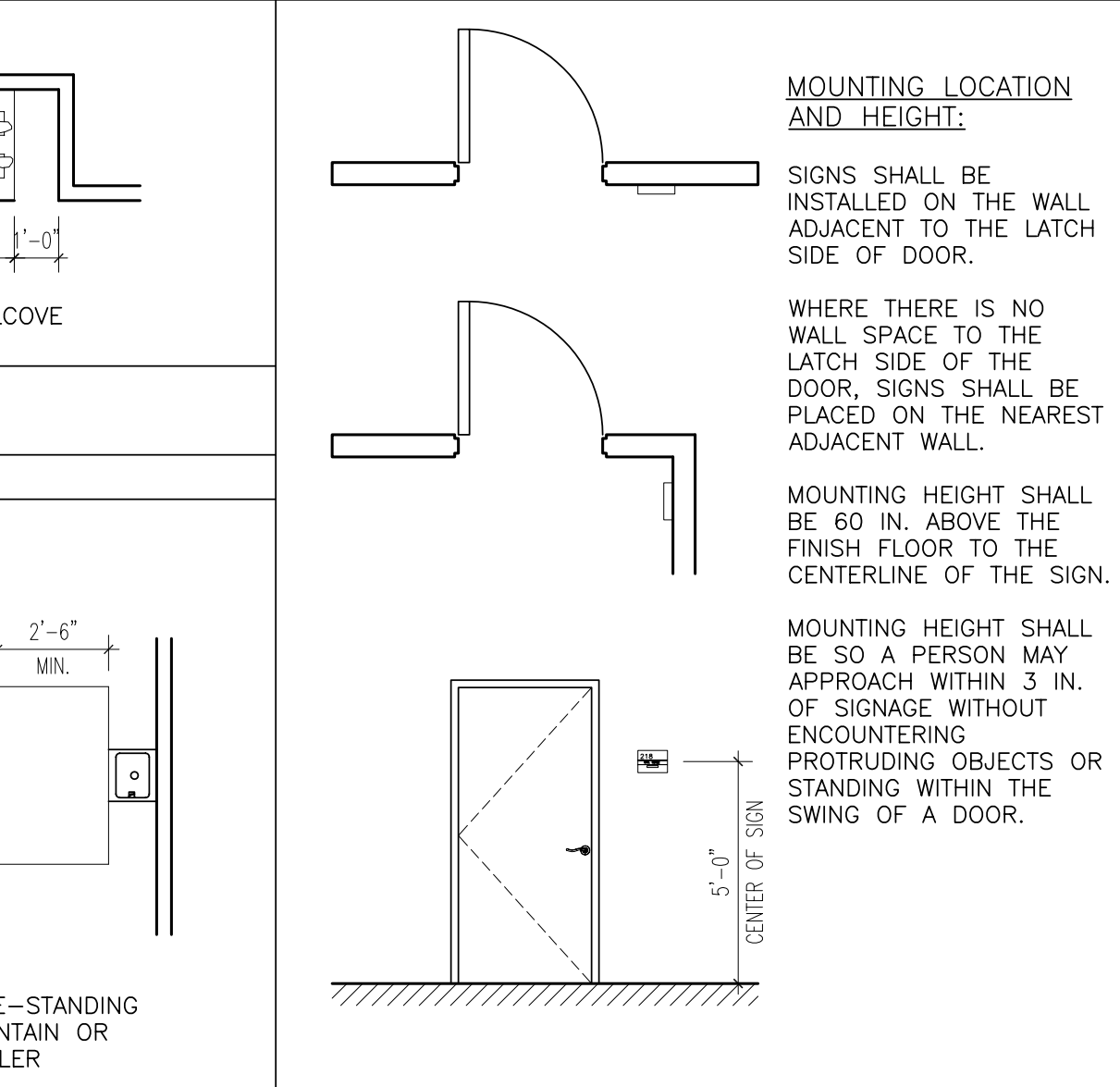
J14 TURN AROUND



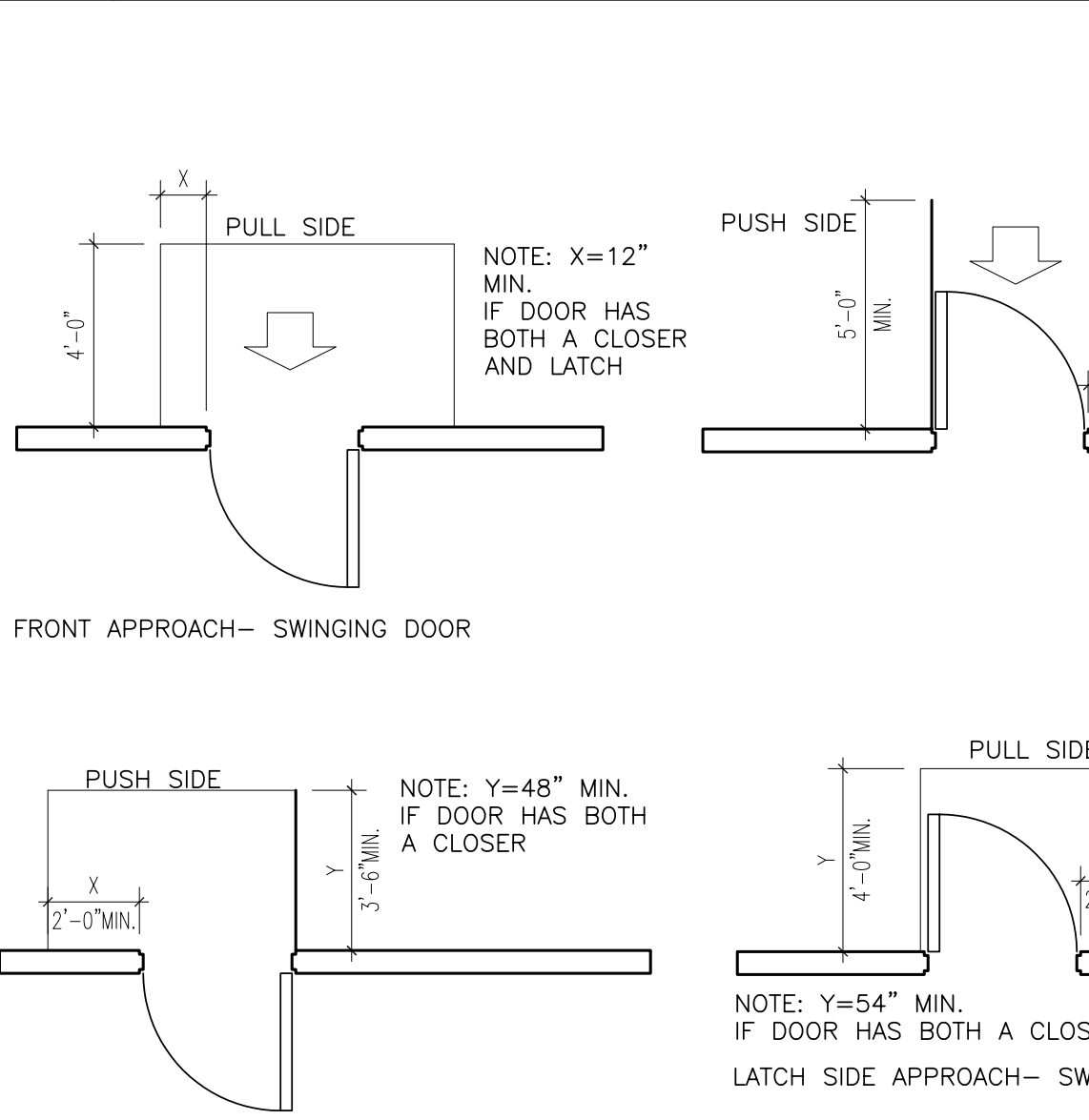
J17 WALL MOUNTED FIXTURES



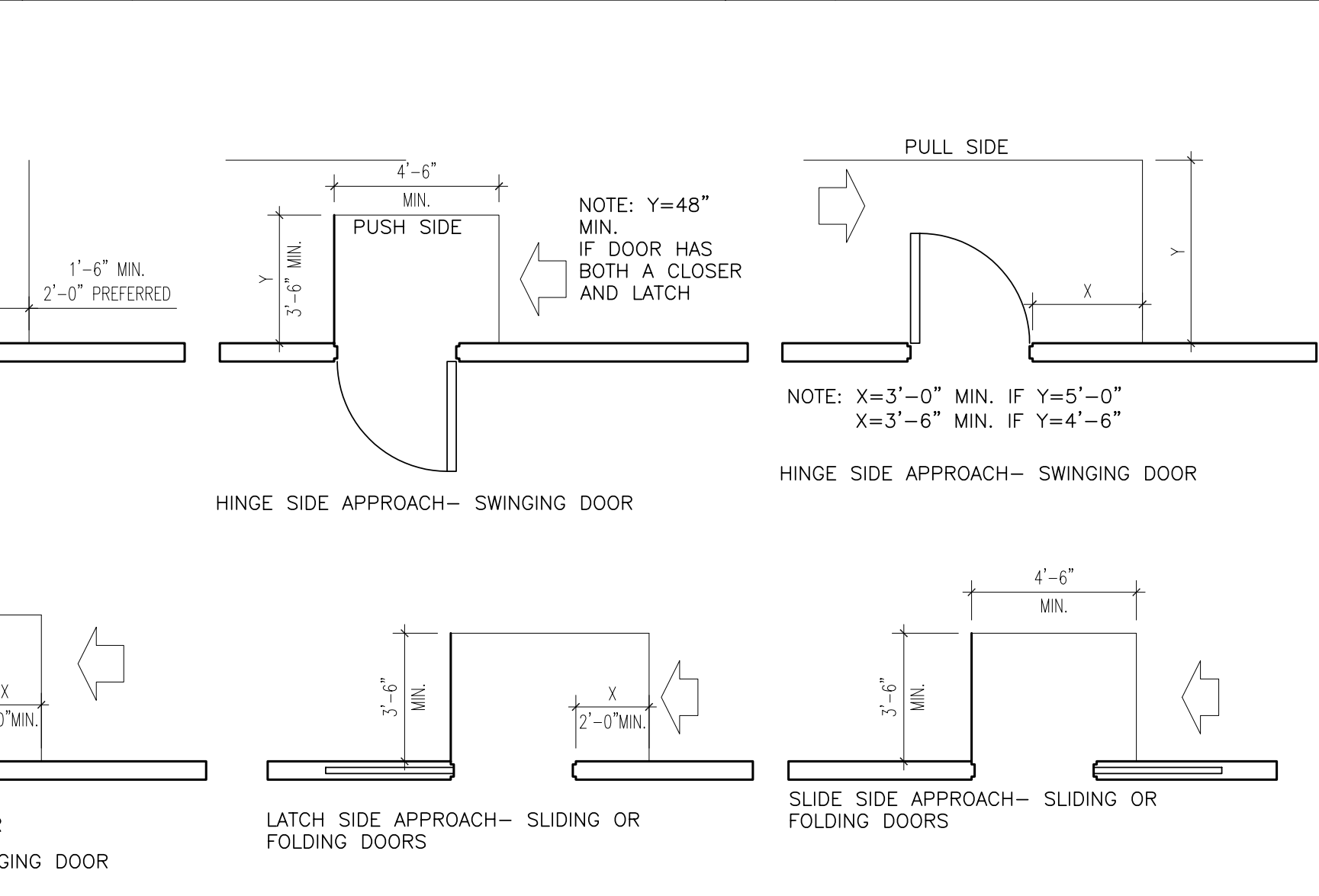
G1 CLEAR FLOOR SPACE IN ALCOVE



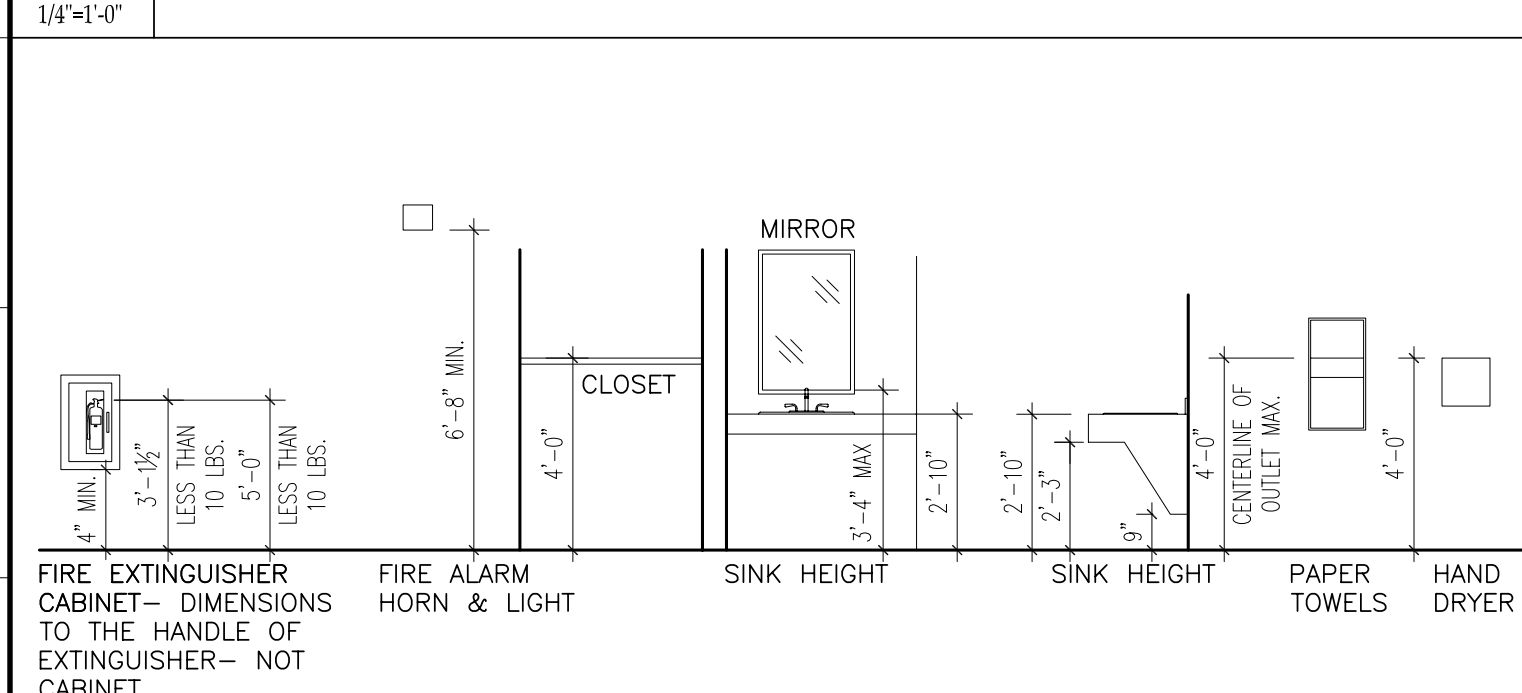
D7 SIGNAGE



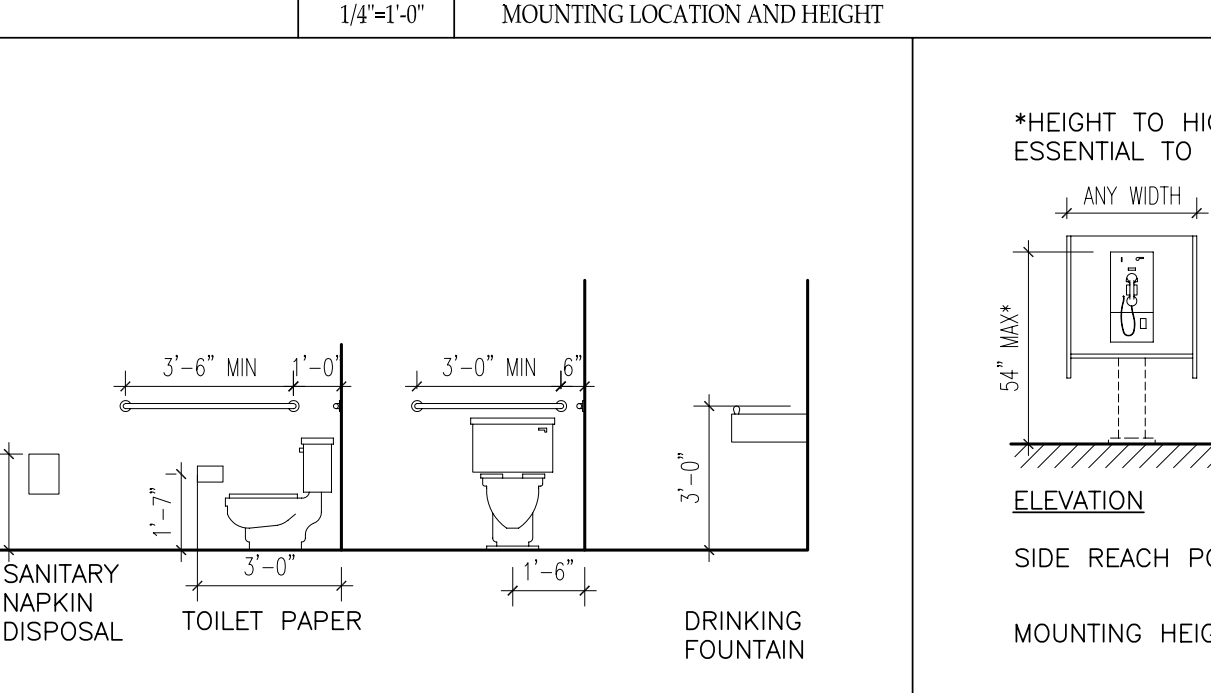
D10 MANEUVERING CLEARANCES AT DOOR



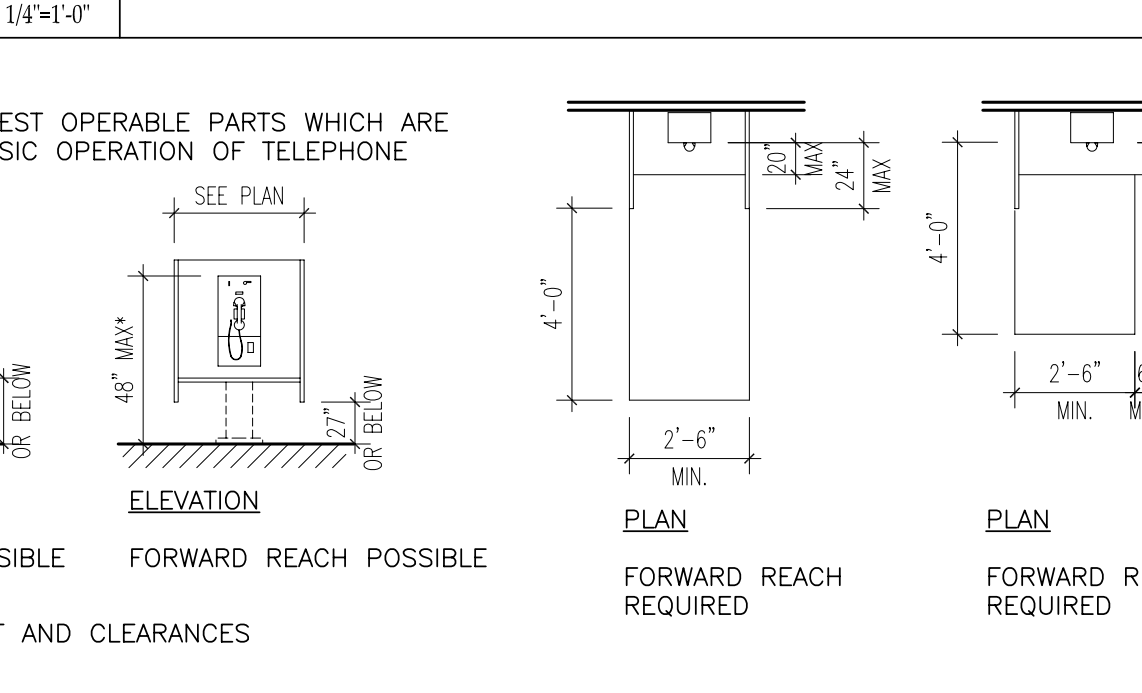
D1 CLEARANCES FOR FOUNTAIN



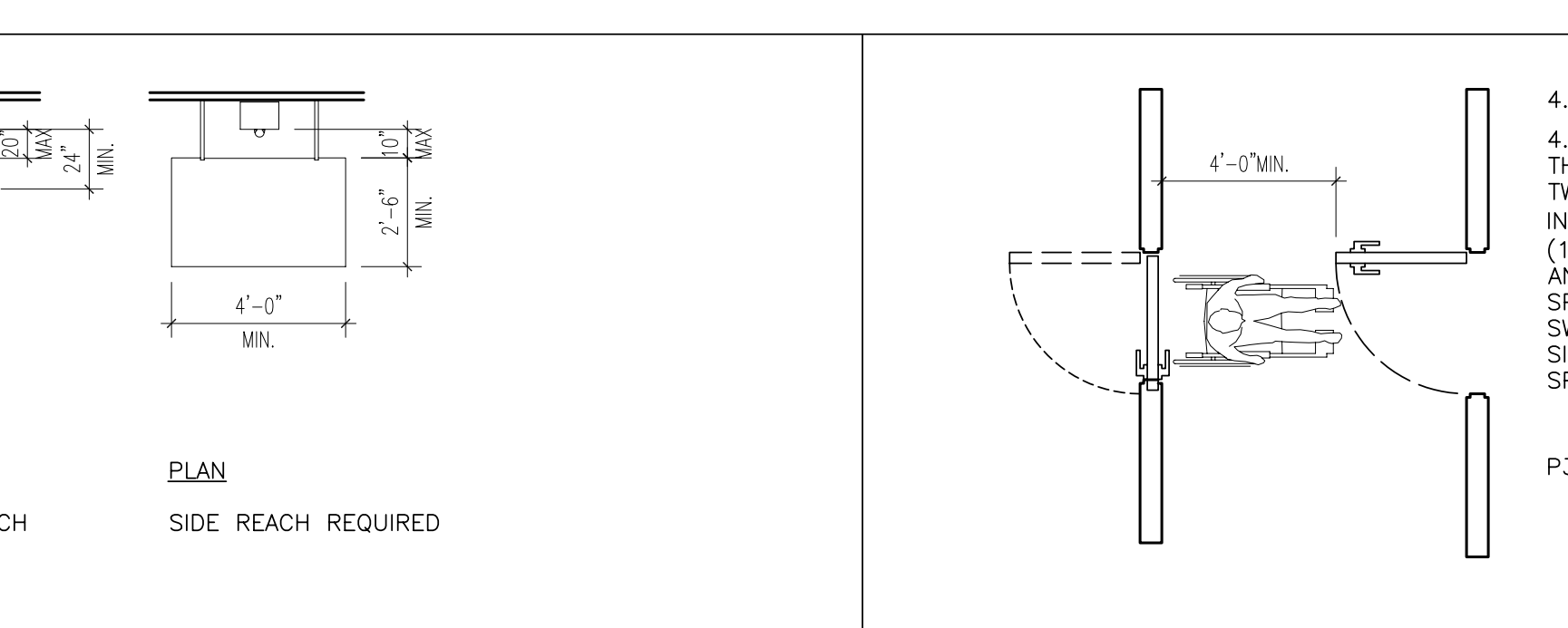
A1 CLEARANCES FOR BATHROOMS AND MISCELLANEOUS ITEMS



A9 CLEARANCES FOR TELEPHONE



A17 TWO HINGED DOORS IN SERIES



A1 CLEARANCES FOR BATHROOMS AND MISCELLANEOUS ITEMS