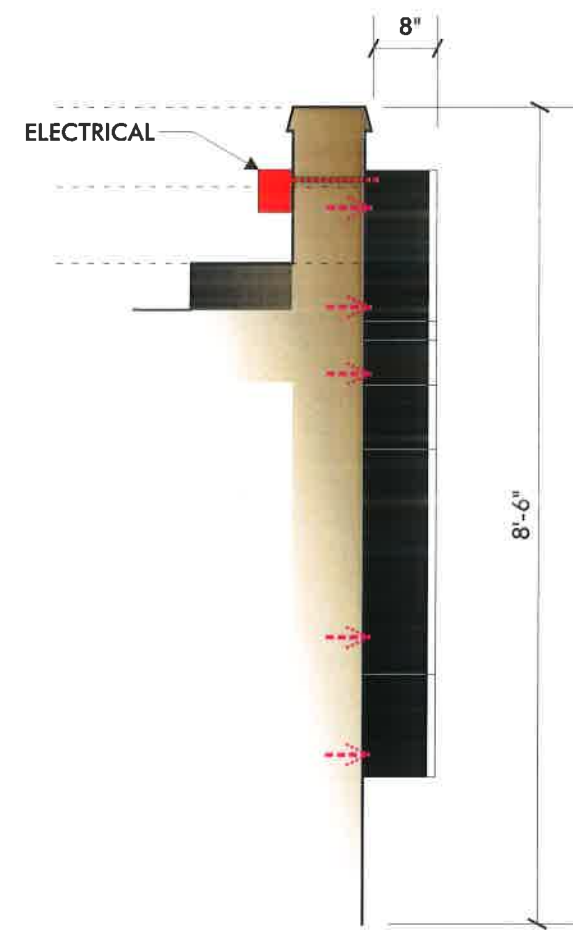


A S/F INT-ILLUMINATED WALL LETTERS (263 SQ. FT.)
 1/8" = 1'-0" (2) SETS REQUIRED

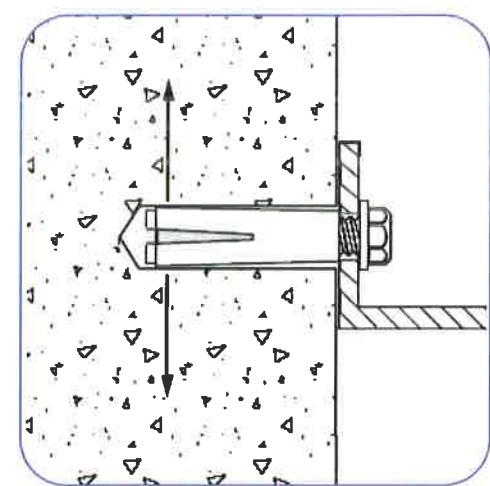
LOGO: BLACK ALUMINUM RETURNS WITH WHITE TRIM CAP, WHITE SG ACRYLIC FACES AND WHITE INTERNAL LED ILLUMINATION, BLACK VINYL LOGO OUTLINES WITH EXPOSED WHITE ELEMENT AREAS AS SHOWN

LETTERS: BLACK ALUMINUM RETURNS WITH WHITE TRIM CAPS, WHITE SG ACRYLIC FACES AND WHITE INTERNAL LED ILLUMINATION

CONDUIT: PAINT ALL CONDUIT AND CONNECTORS PRATT & LAMBERT 'HICKORY' [2066] TO MATCH EXISTING BUILDING MASONRY



MOUNTING SECTION (TYP.)
 SCALE: 1/2" = 1'-0"



SLEEVE-ANCHOR MOUNTING DETAIL
 NOT TO SCALE

LOK-BOLT™ ANCHORING SYSTEM AS MFG BY POWERS FASTENERS, NEW ROCHELLE, NY OR EQUAL:

A PRE-ASSEMBLED SINGLE UNIT SLEEVE ANCHOR FOR ANCHORING INTO SOLID AND HOLLOW CONCRETE AND MASONRY SUBSTRATES

PATENTED COMPRESSION RING PULLS FIXTURE FLUSH TO THE WORK SURFACE

AVAILABLE IN CARBON STEEL AND TYPE 304 STAINLESS STEEL; SEVERAL HEAD STYLES

SIZE RANGE: 1/4" DIA. x 5/8" TO 3/4" DIA. x 7 1/2"

**Amec Foster
 Wheeler
 19382**
PERMIT DRAWING

Location:	511 Congress St	
	Portland, ME	
Drawing No.:	1 of 2	
Drawn by:	ML	Rep.: RS
Date:	03.17.2015	
Lead No.:	HL022442	
Gen Ref.:	HL011027	



Neokraft Signs Inc.
 686 Main Street
 Lewiston, Maine 04240
 http://www.neokraft.com
 T:207.782.9654 F:782.0009
 1.800.339.2258
 © COPYRIGHT 2014, BY NEOKRAFT SIGNS, INC.