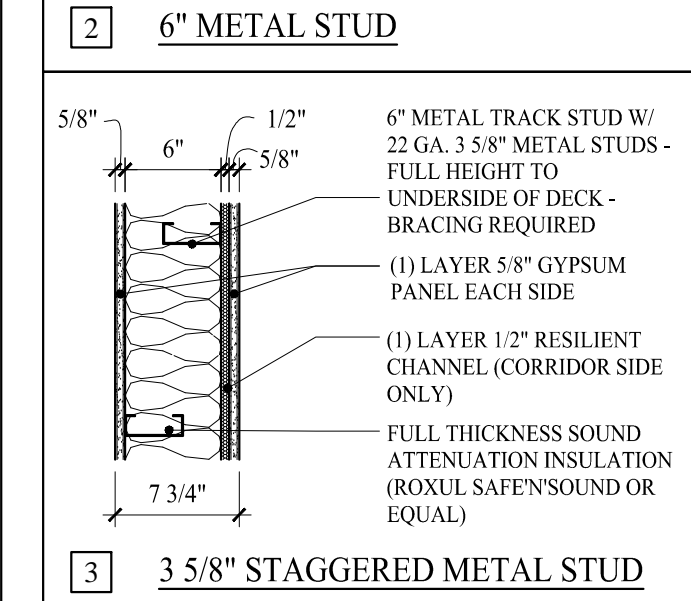
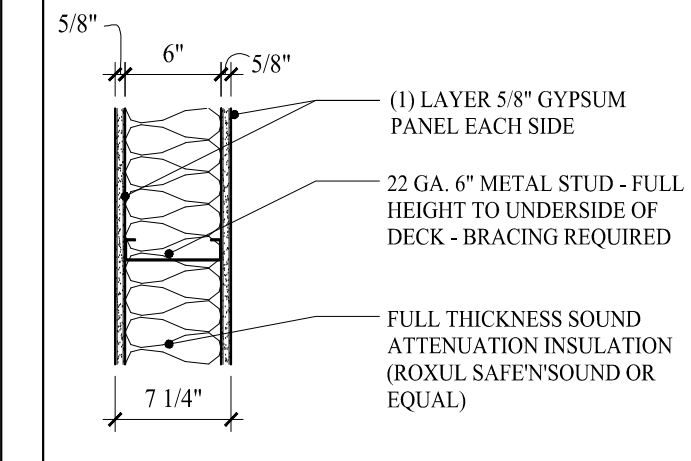
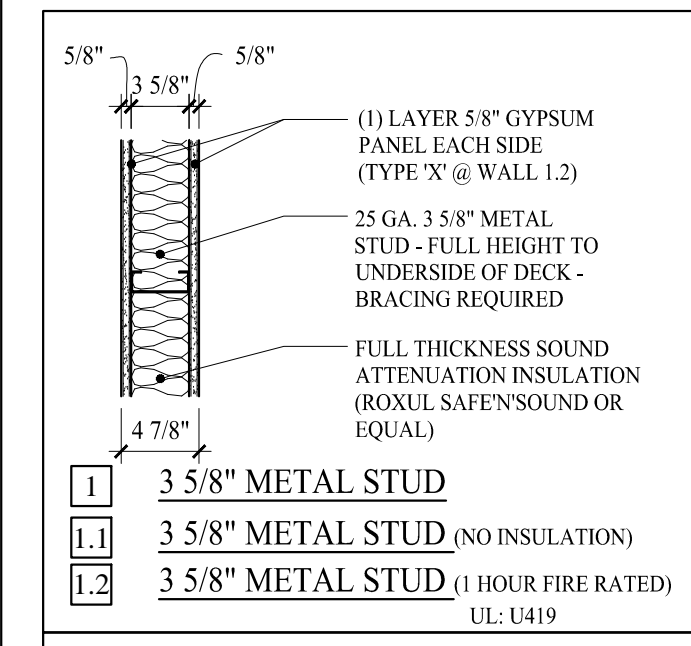
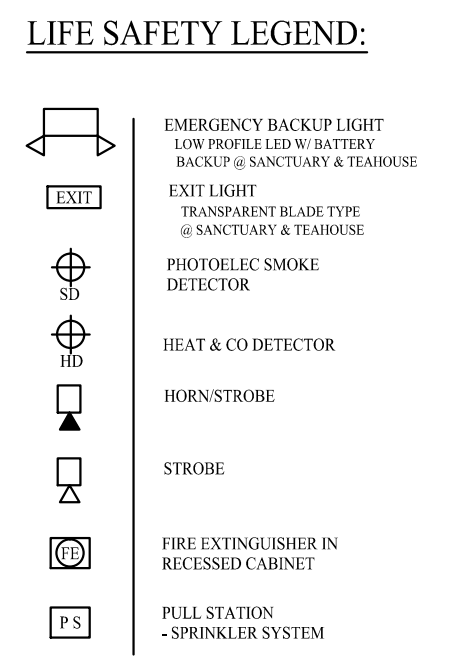
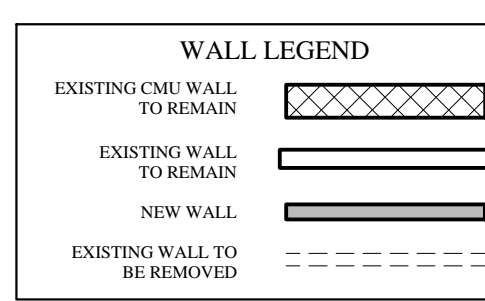


* INSTALL ALL MATERIALS PER MANUFACTURE REQUIREMENTS



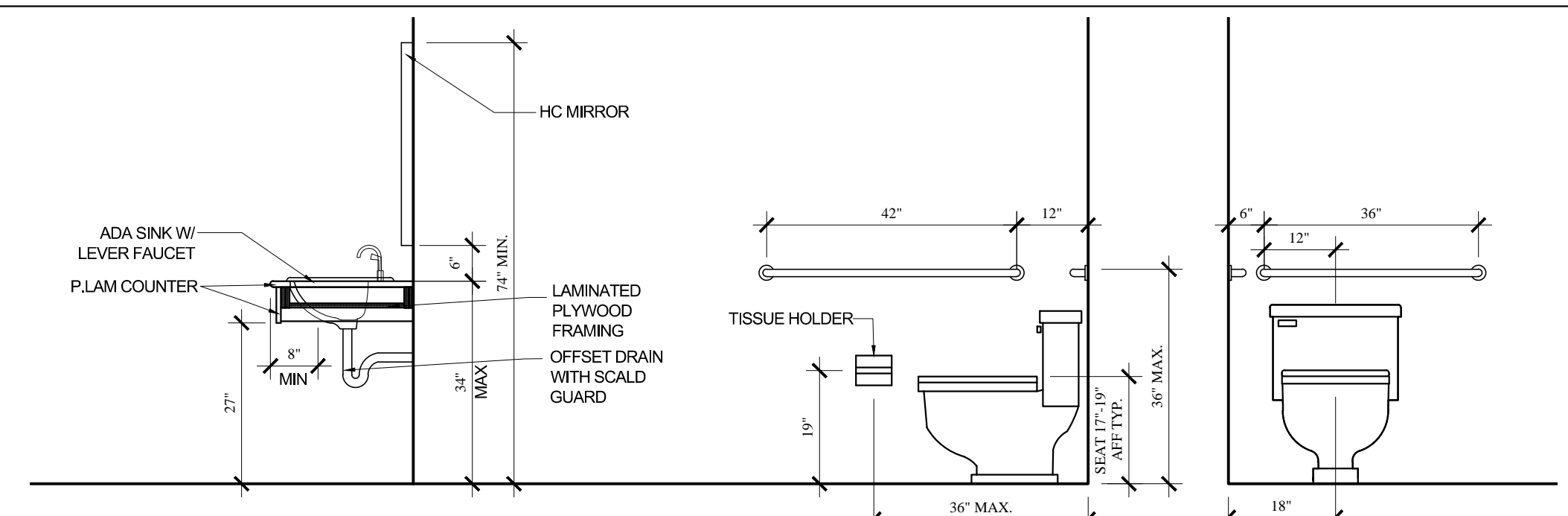
- DOOR NOTES:**
- 1 EXISTING DOOR TO REMAIN
 - 2 NEW DOOR, 3'-0" x 7'-0", ADA LEVER HARDWARE, CLOSER, KICK PLATE
 - 3 NEW DOOR, 3'-0" x 7'-0", ADA LEVER HARDWARE, NO CLOSER
 - 4 NEW DOOR, 3'-0" x 7'-0", PUSH/PULL HARDWARE, CLOSER, KICK PLATE
 - 5 NEW DOOR, 3'-0" x 7'-0", EXIT DEVICE HARDWARE, CLOSER, KICK PLATE

ALL DOORS SHALL BE KEYPED PER TENANT REQUIREMENTS
 ALL INTERIOR DOORS SHALL BE SOLID BIRCH, CLEAR SEAL
 ALL HARDWARE SHALL BE BRUSHED NICKEL FINISH
 ALL DOOR FRAMES SHALL BE PAINTED METAL KNOCK DOWN W/ SOUND SEALS

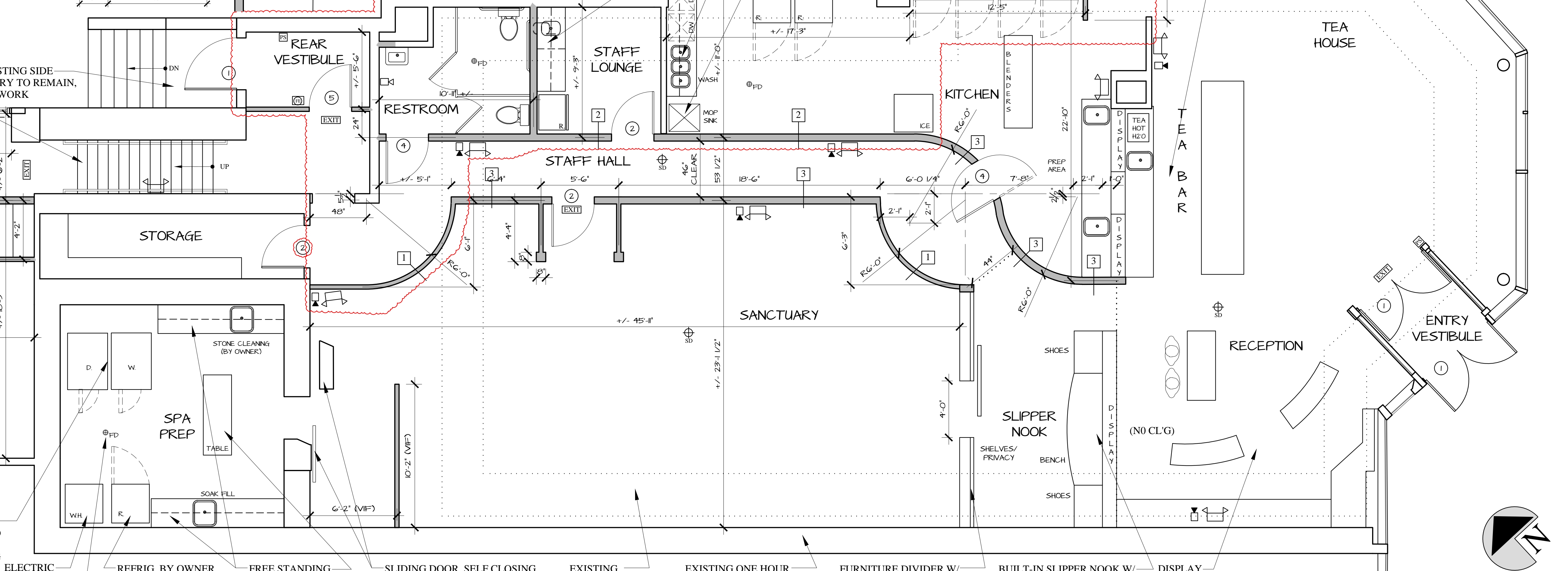
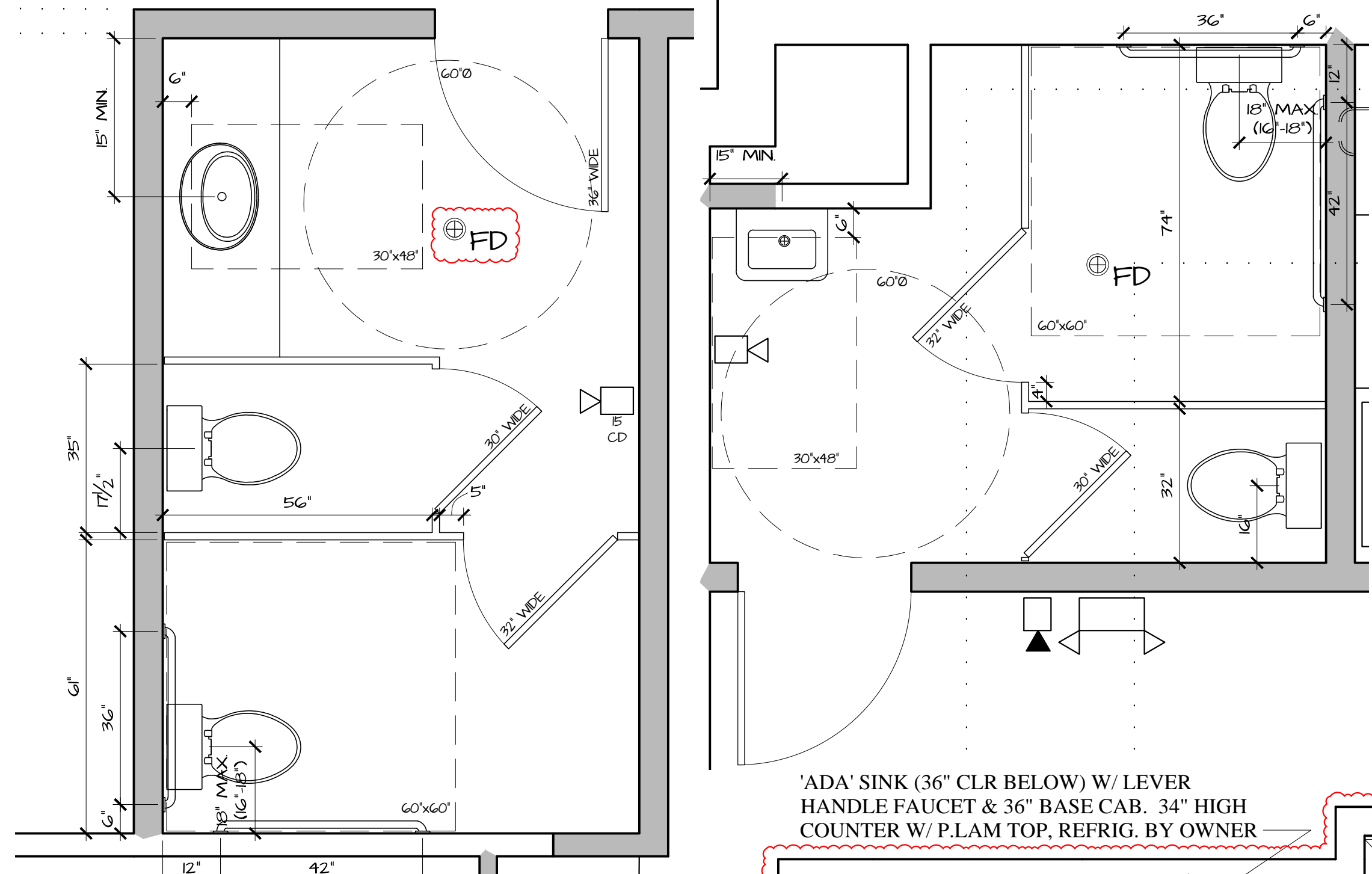


LIFE SAFETY NOTES:

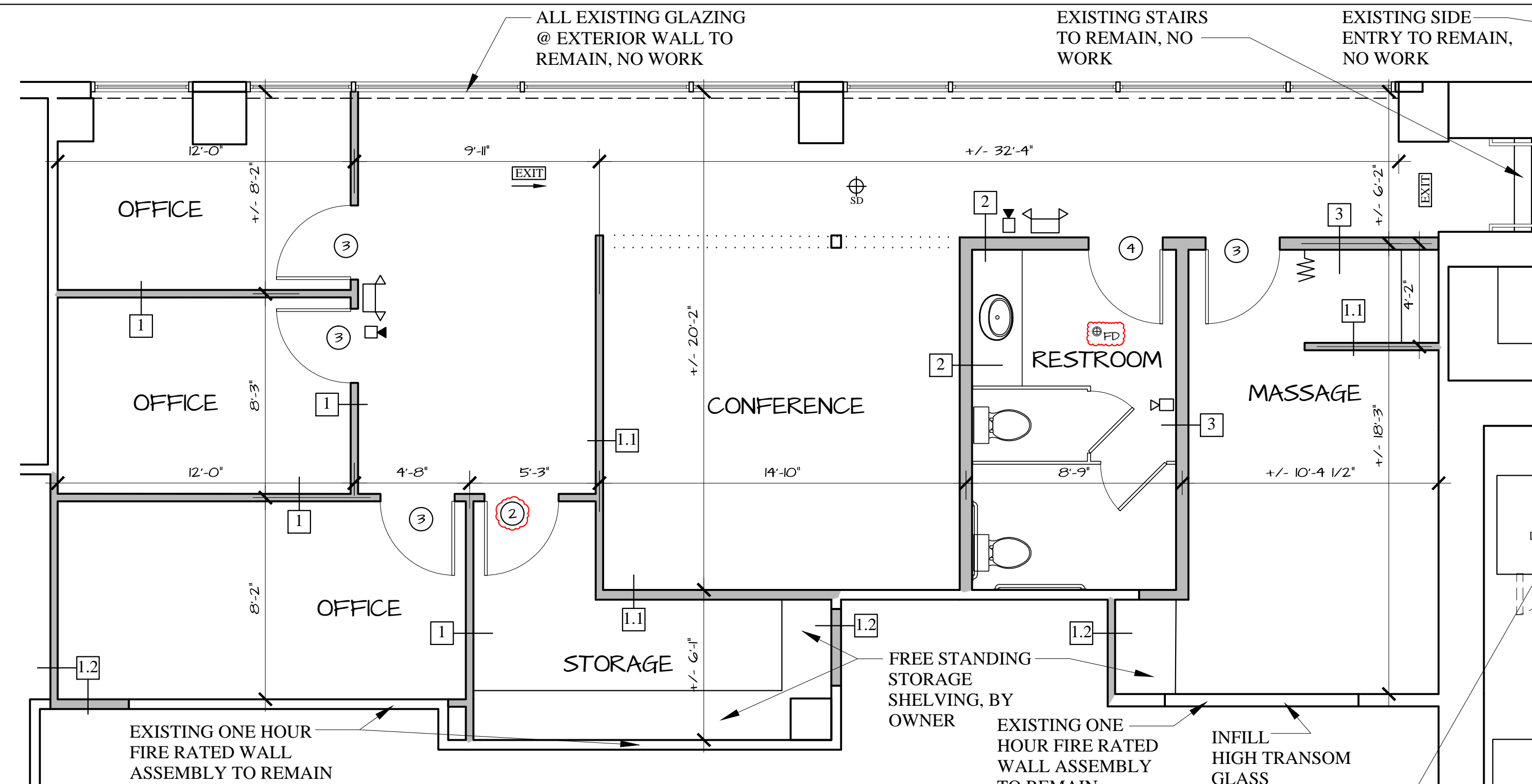
- LIFE SAFETY AND FIRE ALARM SYSTEMS SHALL BE DESIGNED AND INSTALLED PER NFPA 72, BY A CITY STATE APPROVED CONTRACTOR WITH A SEPARATE PERMIT.
- ALL STROBES TO BE 30 CANDELA UNLESS OTHERWISE NOTED.
- SYSTEM SHALL BE SUPERVISED BY AN OFF-SITE CERTIFIED BY THE CITY OF PORTLAND THIRD PARTY
- EXISTING LIFE SAFETY SYSTEM SHALL REMAIN, TOP EACH SIDE



'ADA' RESTROOM PLANS & ELEVATIONS
 SCALE: 1/2"=1'-0"



PROPOSED FLOOR PLAN - LOWER LEVEL
 SCALE: 1/4"=1'-0"



PROPOSED FLOOR PLAN - UPPER LEVEL
 SCALE: 1/4"=1'-0"

KITCHEN: ALL FAUCETS SHALL BE LEVER HANDLE, PUMP ALL DRAINS OVERHEAD.
 (2) UNDER COUNTER DISH WASHERS GREASE INTERCEPTOR (CLG MOUNT)
 S.S. 3-BAY SINK
 S.S. HAND WASH SINK
 S.S. PREP SINK
 FLOOR DRAIN
 POWER FOR (6) BLENDERS @ ISLAND

TEA BAR: ALL FAUCETS SHALL BE LEVER HANDLE, PUMP ALL DRAINS OVERHEAD.
 S.S. SINK
 DEDICATED HOT WATER SUPPLY FAUCET SEATING ISLAND BY OWNER, G.C. TO SUPPLY POWER
 FREESTANDING DISPLAY SHELVES FOR TEA CANISTERS

MARK MUELLER ARCHITECTS
 A.I.A.
 100 Commercial Street
 Suite 205
 Portland, Maine 04101
 Phone: 207.774.9057
 Email: rfi@muellerarchitects.com

SOAKOLOGY
 511 CONGRESS STREET
 PORTLAND, MAINE 04101

FLOOR PLAN

REVISIONS

DATE: 01.26.2015

PROJECT: SOAKOLOGY

DRAWN BY: MAM

CHECK BY: MAM

REVISED: APRIL 08, 2015
PERMIT SET: MARCH 18, 2015