

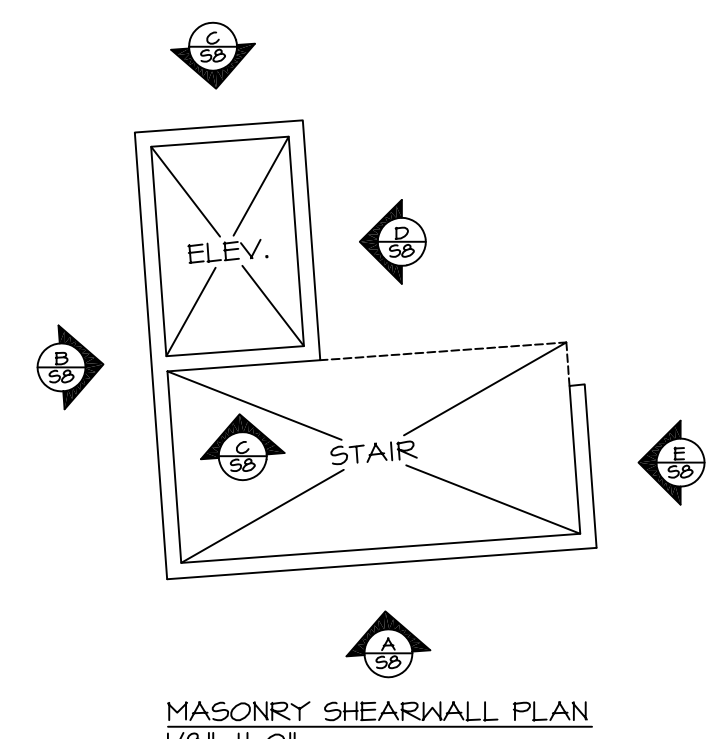
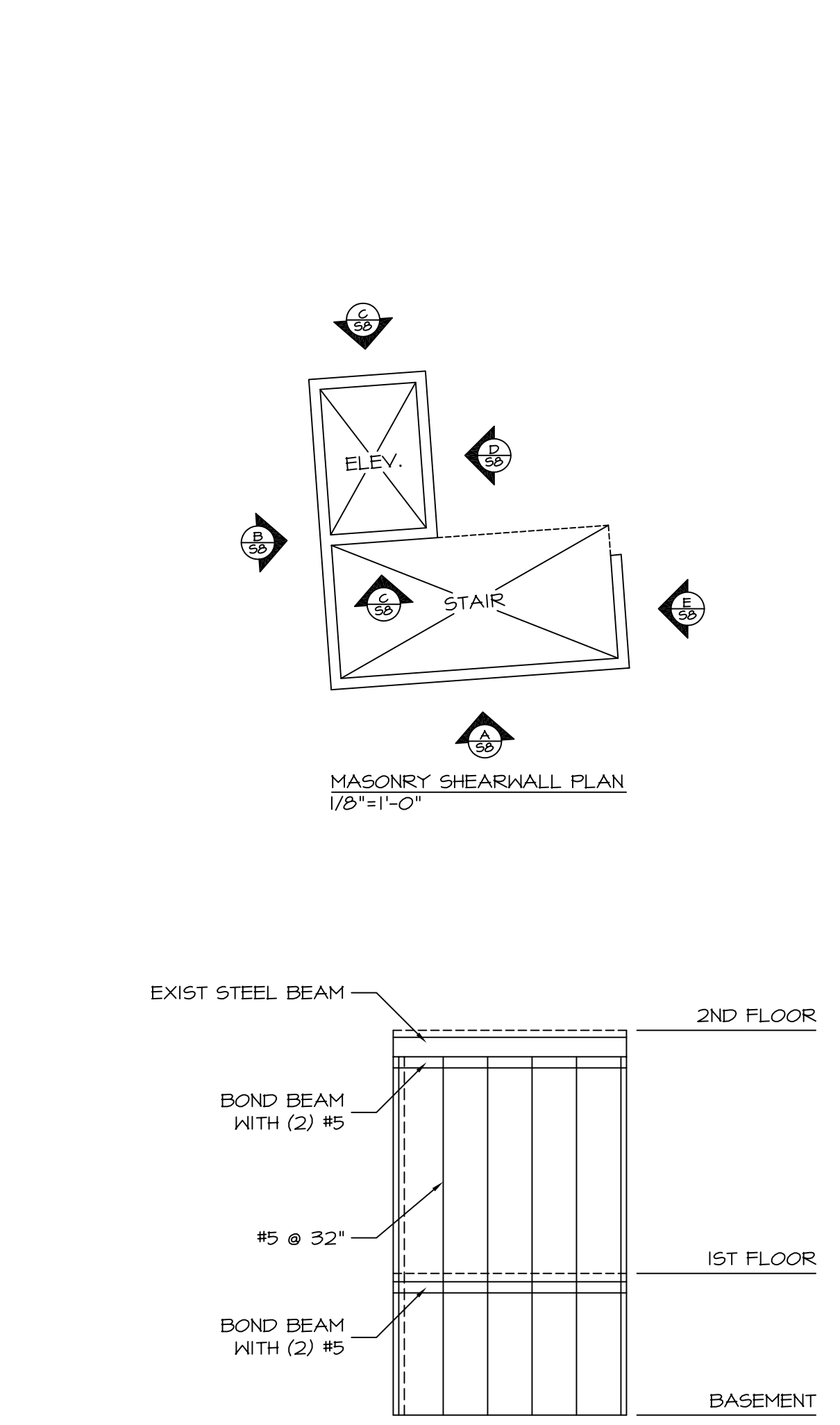
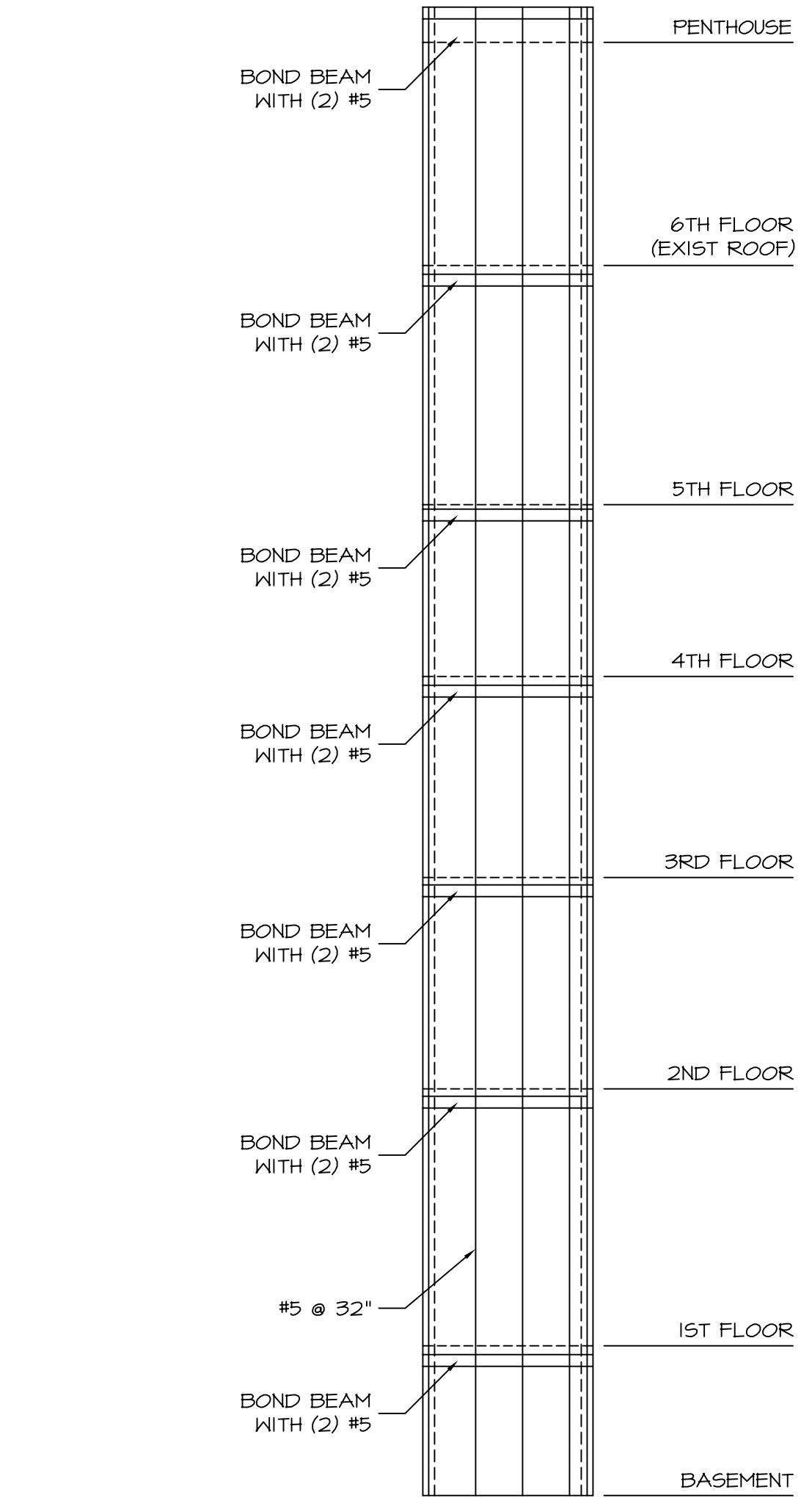
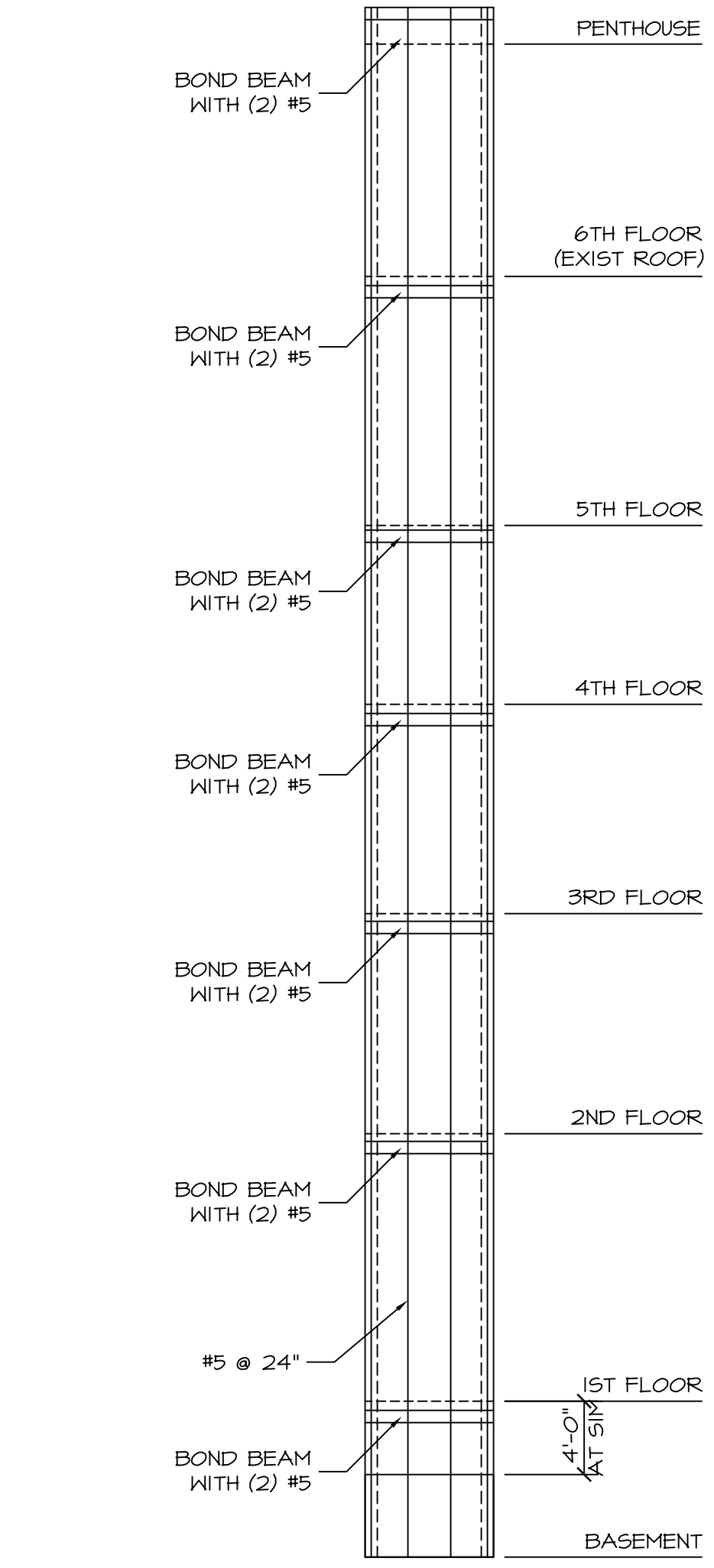
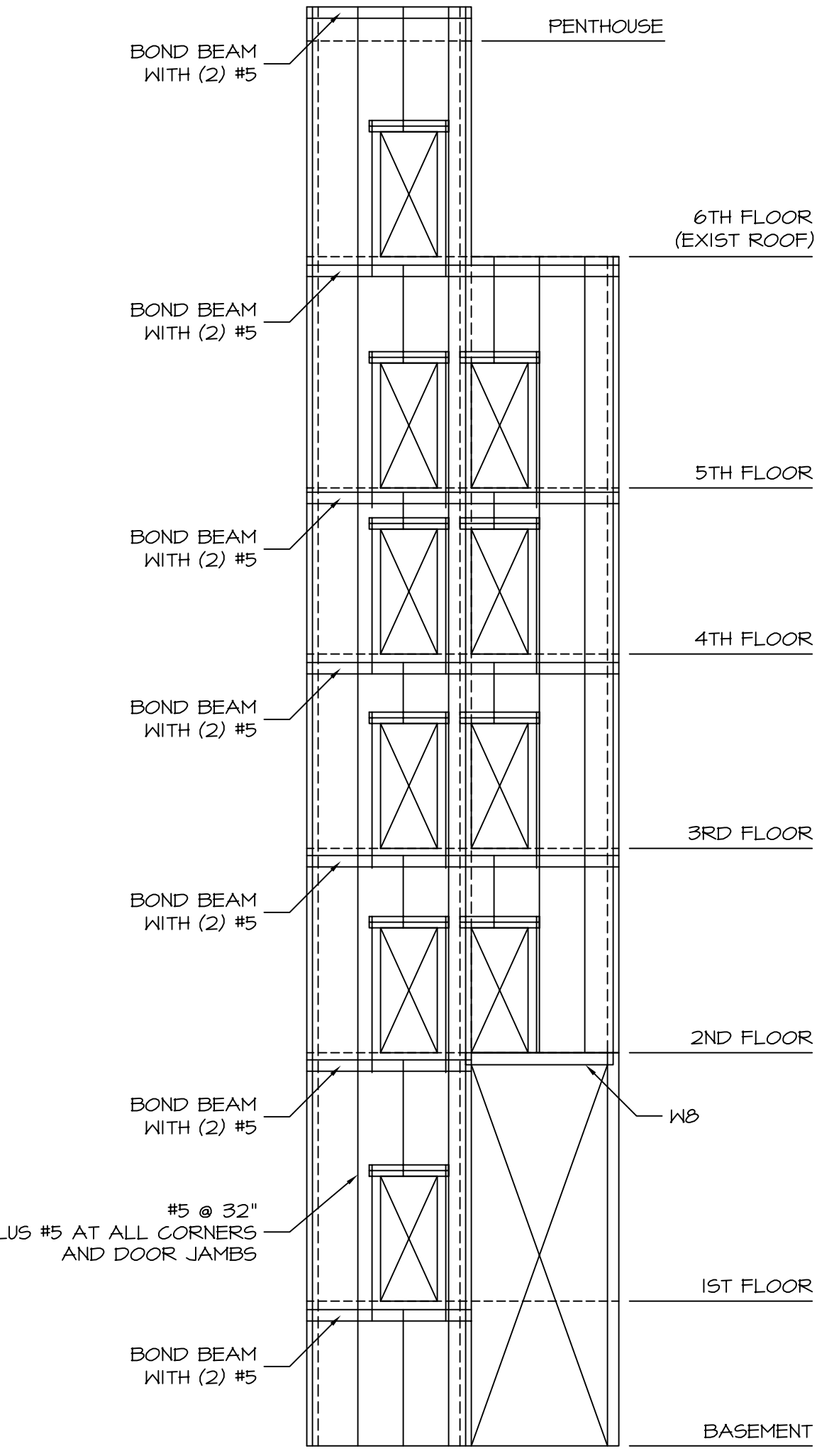
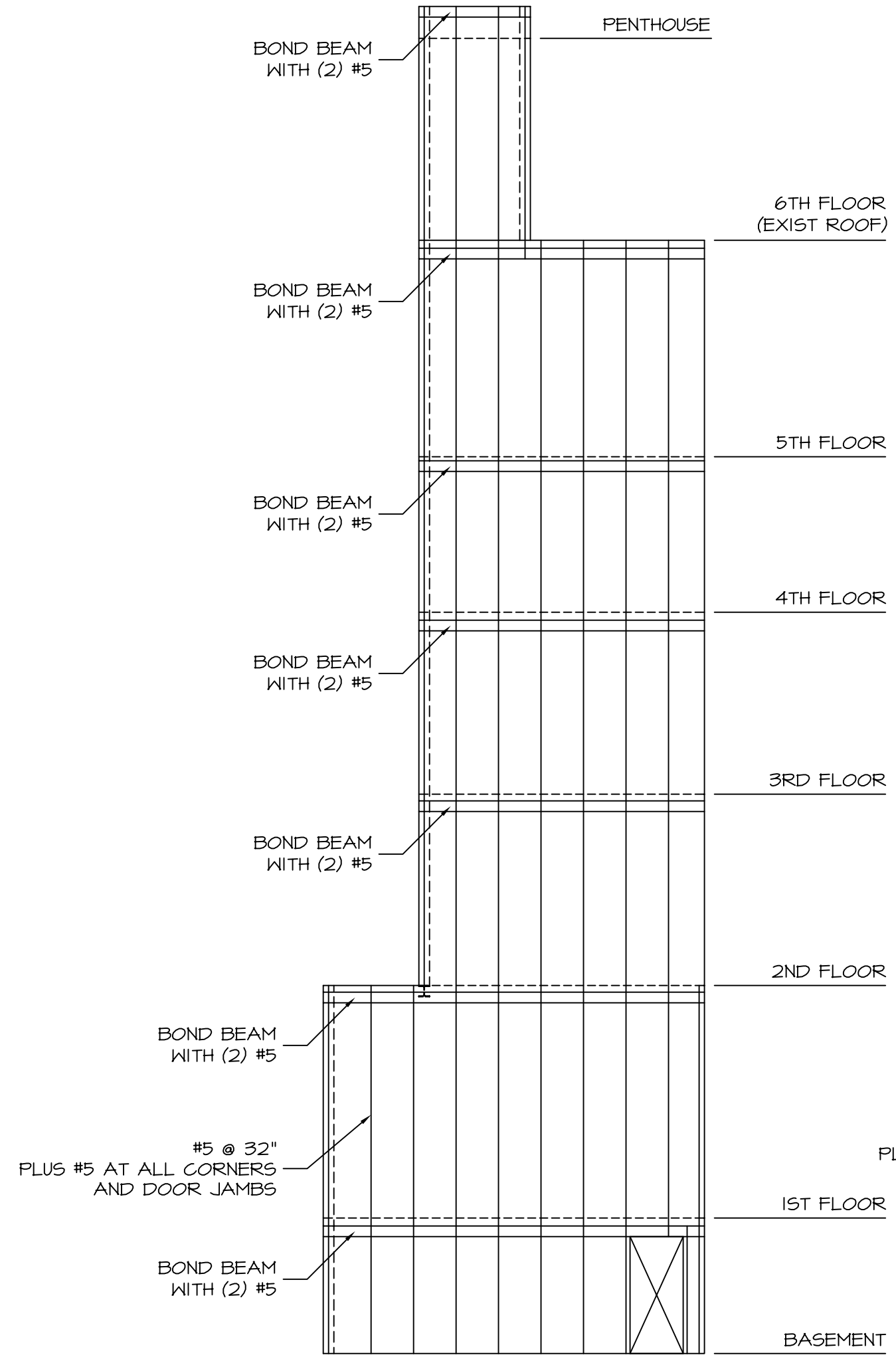
OWNER:
ARCHETYPE, P.A. ARCHITECTS
48 Union Wharf Portland, Maine 04101
(207) 772-6022 Fax (207) 772-4056

Project:
WINSLOW LOFTS
CONGRESS STREET
PORTLAND, MAINE

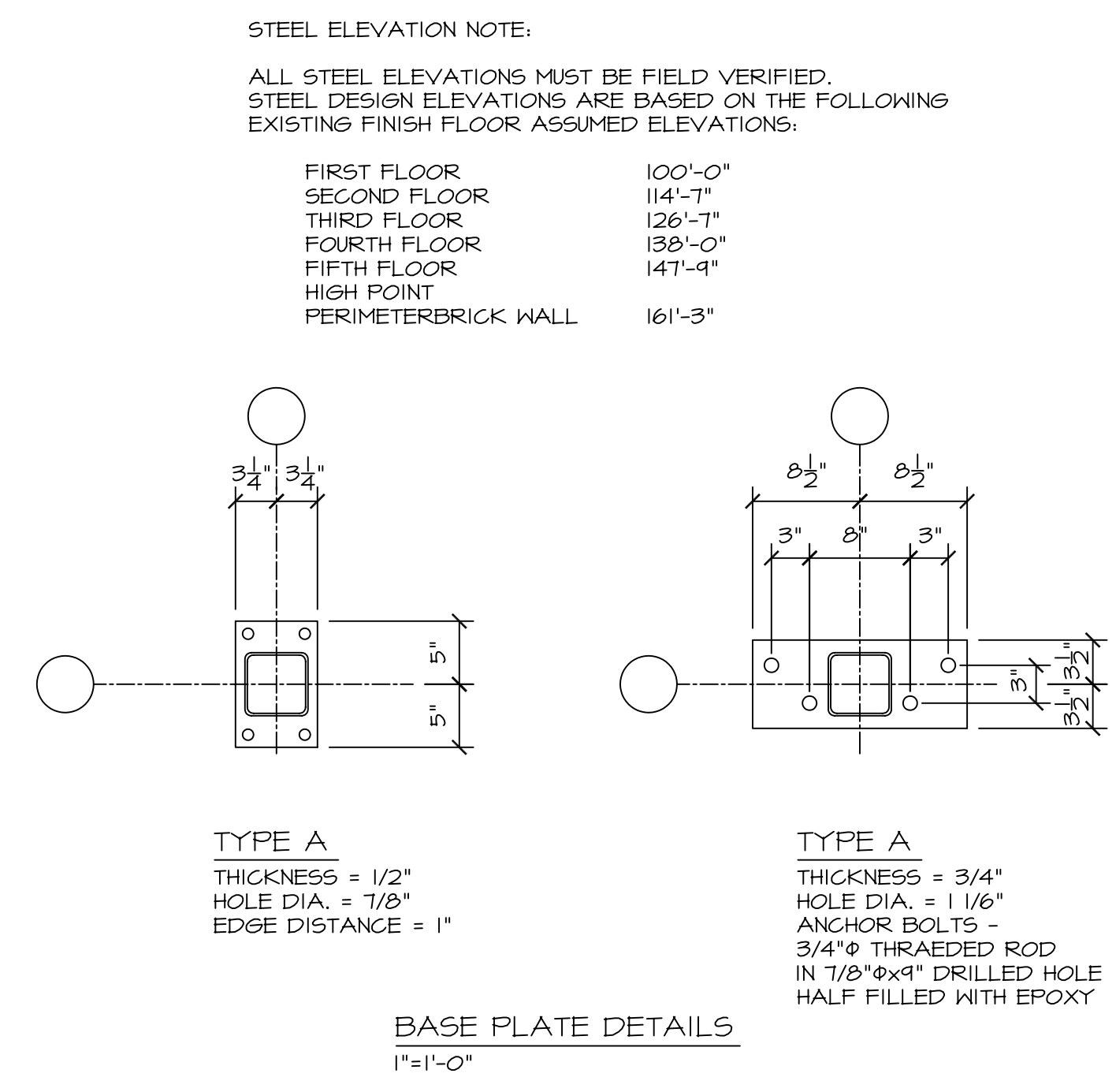
Date: APRIL 22, 2005
Scale: AS NOTED
Revisions:

SHEAWALL DETAILS COLUMN SCHEDULE

S8



COLUMN SCHEDULE					
COLUMN MARK	SIZE	BOT. OF BASE PL. ELEV.	BASE PL. TYPE	TOP OF COLUMN ELEV.	COMMENTS
A-1	H555x5x0.375	161'-4"	A	174'-7 3/4"	
A-2	H555x5x0.375	160'-0"	B	174'-7 3/4"	BEARS ON EXIST. MASONRY. FIELD VERIFY ELEVATION
A-3	H555x5x0.375	160'-0"	B	174'-7 3/4"	BEARS ON EXIST. MASONRY. FIELD VERIFY ELEVATION
A-4	H554x4x0.1875	161'-4"	A	174'-6 3/4"	
B-1	H555x5x0.375	161'-4"	A	174'-7 3/4"	
B-1.2	H554x4x0.1875	174'-6 3/4"	A	185'-2 3/4"	
B-2	H554x4x0.250	161'-4"	A	174'-6 3/4"	
B-2.1	H554x4x0.1875	174'-6 3/4"	A	182'-8 3/4"	
B-2.7	H554x4x0.1875	174'-6 3/4"	A	180'-2 3/4"	
B-3	H554x4x0.250	161'-4"	A	174'-6 3/4"	
B-4	H555x5x0.375	161'-4"	A	174'-7 3/4"	
C-1.2	H554x4x0.1875	174'-6 3/4"	A	185'-2 3/4"	
C-2.1	H554x4x0.1875	174'-6 3/4"	A	182'-8 3/4"	
C-2.7	H554x4x0.1875	174'-6 3/4"	A	180'-2 3/4"	
D-1	H554x4x0.1875	160'-0"	B	174'-6 3/4"	BEARS ON EXIST. MASONRY. FIELD VERIFY ELEVATION
D-1.2	H554x4x0.1875	160'-0"	B	174'-6 3/4"	BEARS ON EXIST. MASONRY. FIELD VERIFY ELEVATION
D-2.7	H554x4x0.1875	160'-0"	B	174'-6 3/4"	BEARS ON EXIST. MASONRY. FIELD VERIFY ELEVATION
D-3	H554x4x0.1875	161'-4"	A	174'-6 3/4"	
D-4	H555x5x0.375	161'-4"	A	174'-7 3/4"	
E-1.1	H554x4x0.1875	117'-6 7/8"	A	174'-6 3/4"	
E-1.6	H554x4x0.1875	116'-3"	A	174'-6 3/4"	
E-2.3	H554x4x0.1875	116'-3"	A	174'-6 3/4"	
E-2.6	H554x4x0.1875	116'-3"	A	174'-6 3/4"	
E-2.9	H554x2x0.1875	116'-3"	A	174'-6 3/4"	ORIENT LONG AXIS PARALLEL TO GRID 2.9
E-3	H555x5x0.375	161'-4"	A	174'-7 3/4"	
E-4	H555x5x0.375	161'-4"	A	174'-7 3/4"	



LOOSE LINTEL SCHEDULE

ROUGH OPENING	LINTEL SIZE
UP TO 3'-0"	L4x3x5/16 LLV
>3'-0" TO 4'-6"	L5x3x5/16 LLV
>4'-6" TO 6'-0"	L6x3x5/16 LLV
>6'-0" TO 9'-0"	W8x31 U.N.O.

