

# GORHAM FLAG CENTER

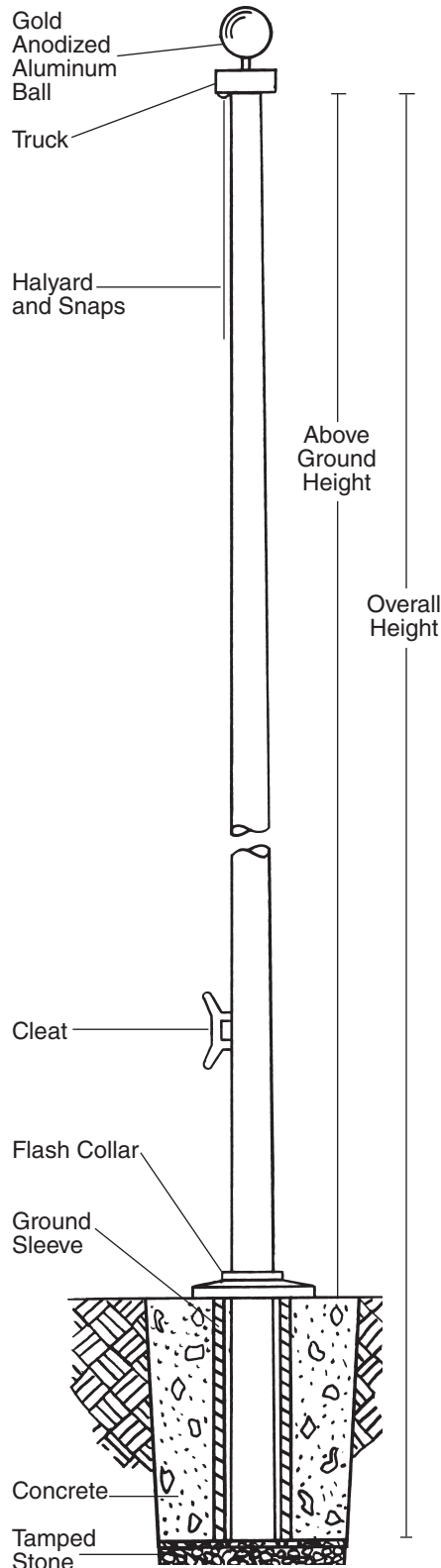
376 MAIN ST. GORHAM, ME 04038

TEL: 207-839-4675

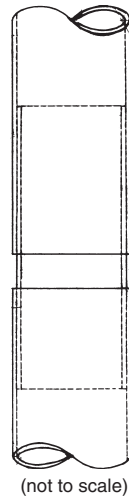
WWW.GORHAMFLAG.COM

EMAIL: FLAGINFO@GORHAMFLAG.COM

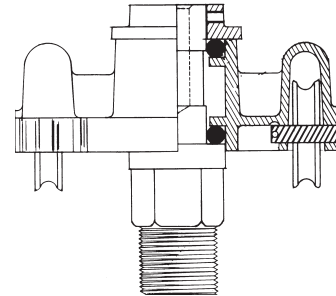
Fiberglass Commercial  
Ground Set External  
Halyard Flagpoles  
20X - 80X



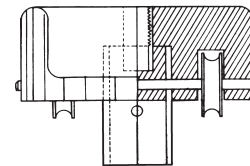
Field Splice Detail



Aluminum Revolving External Truck



Fiberglass Stationary External Truck



Poles 50' and up are equipped with an internal field splice which is cemented and pinned with stainless pins to the bottom section. The top section simply slides over the self-aligning splice for easy field assembly.

Model Number	PLP 20 X	PLP 25 X	PLP 30 X	PLP 35 X	PLP 40 X*	PLP 50 X	PLP 60 X	PLP 70 X	PLP 80 X*
Above Ground Height	20'	25'	30'	35'	39'	50'	60'	70'	80'
Overall Height	23'	28'	33'	39'	43'	55'	66'	77'	88'
Butt Diameter	5.75"	6"	6.75"	7"	7"	10"	10.5"	16"	16.5"
Top Diameter	3"	3"	3"	3"	3"	4.5"	4.5"	7"	7"
Pole Weight (lbs.)	36	59	77	115	115	325	480	807	1108
Shipping Weight (lbs.)**	84	113	137	184	206	551	753	1336	1648
Ground Sleeve I.D.	8"	8"	8"	8"	8"	14"	14"	20"	20"
Ground Sleeve Length	3"	3'	3'	4'	4'	5'	6'	7'	8'
Cleat	8.5" Nylon	8.5" Nylon	8.5" Nylon	8.5" Nylon	8.5" Nylon	10" Alum.	10" Alum.	10" Alum.	10" Alum.
Ball Diameter	5"	5"	6"	6"	8"	10"	10"	14"	14"
Halyard	#10	#10	#10	#10	#10	#12	#12	#12	#12
Flash Collar	16"	16"	16"	16"	16"	23"	23"	30"	30"
Truck	F/G	F/G	F/G	F/G	F/G	Rev. Alum.	Rev. Alum.	Rev. Alum.	Rev. Alum.
Snaps	Brass Swivel	Brass Swivel	Brass Swivel	Brass Swivel	Brass Swivel	S/S Swivel	S/S Swivel	S/S Swivel	S/S Swivel
Standard Flag Size	4x6	4x6	5x8	5x8	6x10	8x12	10x15	12x18	12x18

\* This pole is equipped with a ground set extension which fits into the butt of the pole. The entire assembly then slides into the ground sleeve. Detailed instructions come with each pole.

\*\* Shipping weight includes weight of packaging and fittings.

# SPECIFICATIONS

Provide a Fiberglass Reinforced Plastic (FRP) Ground Set Flagpole Model # \_\_\_\_\_X as manufactured by PLP Composite Technologies, Inc., Fitzwilliam, NH 03447.

The flagpole shall have a mounting height of \_\_\_\_\_' and \_\_\_\_\_' below grade for an overall length of \_\_\_\_\_'.

The butt diameter shall be \_\_\_\_\_ inches and the top diameter \_\_\_\_\_ inches. The pole weight shall be approximately \_\_\_\_\_ lbs. with a total shipping weight of \_\_\_\_\_ lbs.

The flagpole shall be manufactured of fiberglass woven roving and polyester resin with 75% of the reinforcing fibers oriented in the axial plane for maximum stiffness and 25% in the radial plane for required hoop strength. Load calculations shall be based on AASHTO and NAAMM standards with the pole designed with a two to one safety factor for 125 m.p.h. winds, unflagged with a 1.3 gust factor.

The pole shall have an ENTASIS taper and shall be void of any vertical mold seams.

The pole shall be sanded smooth and coated with a high gloss Aliphatic Polyurea coating system based on Dual Cure chemistry, providing extended UV protection and weatherability.

The color of the flagpole shall be:

Standard white, bronze, black, or other, as specified \_\_\_\_\_. (Select one)

The flagpole shall be equipped with PLP standard fittings:

- A \_\_\_\_\_" gold anodized aluminum ball
- # \_\_\_\_\_ polyester halyard
- \_\_\_\_\_" \_\_\_\_\_ cleat
- \_\_\_\_\_" composite flash collar
- \_\_\_\_\_' x \_\_\_\_\_" composite ground sleeve
- Flag Snaps
  - Brass swivel with vinyl covers (20X-40X)
  - Stainless Steel swivel (50X-80X)
- Truck (Pulley Assembly)
  - Double sheave fiberglass stationary truck with s/s securing screws (20X-40X), or
  - Double sheave aluminum revolving truck (50X-80X)

EXCEPTIONS: \_\_\_\_\_  
\_\_\_\_\_  
\_\_\_\_\_

PROJECT: \_\_\_\_\_

LOCATION: \_\_\_\_\_

DATE: \_\_\_\_\_

## ***Gorham Flag Center***

376 Main St. • Gorham, ME 04028 • Tel: 207-839-4675 • Fax: 207-839-3952

*www.gorhamflag.com Email: [flaginfo@gorhamflag.com](mailto:flaginfo@gorhamflag.com)*