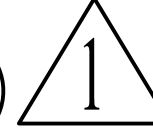




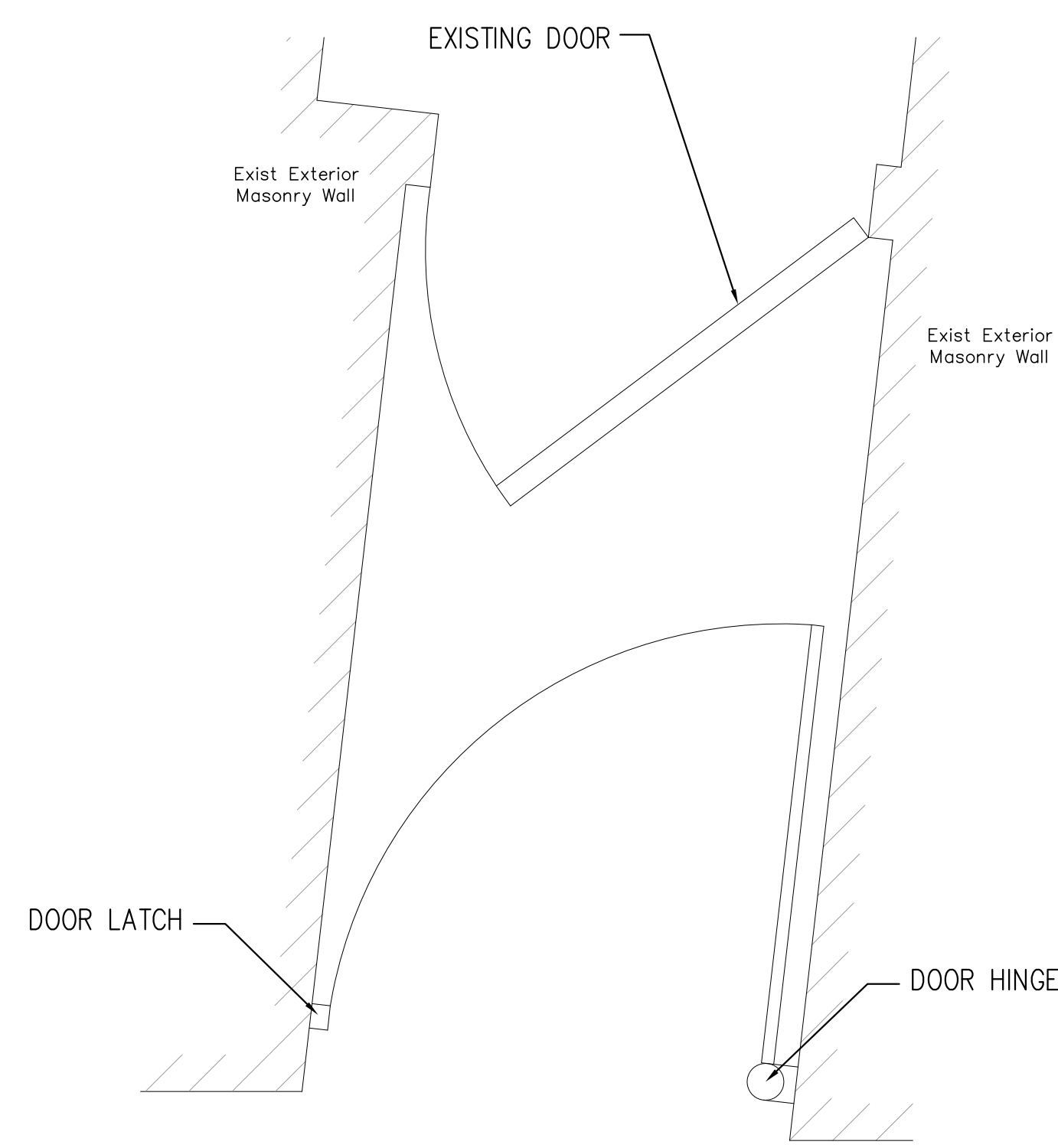
SOUTH ELEVATION

SCALE: 1/8" = 1'-0"



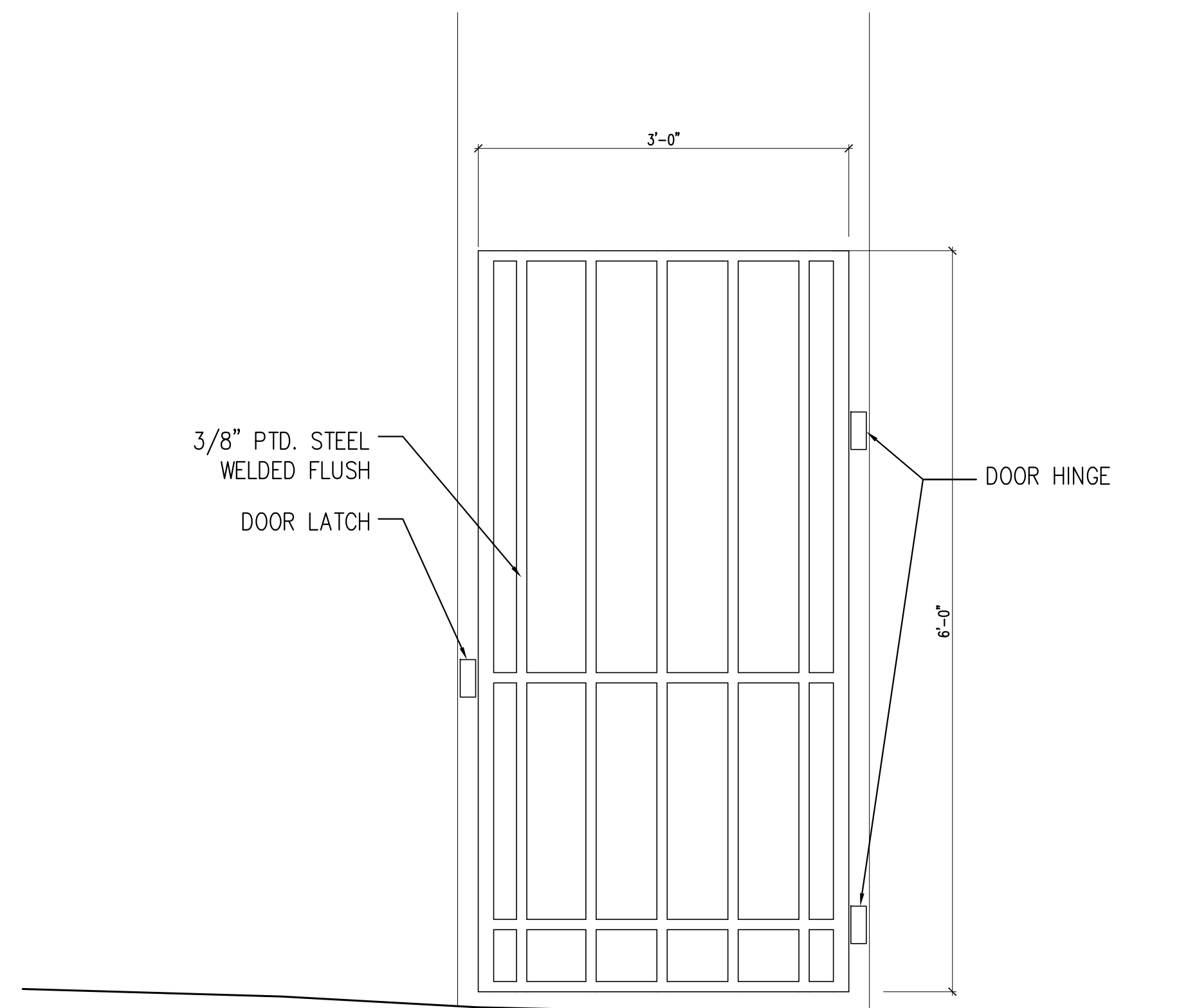
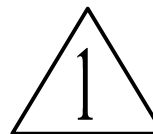
WEST ELEVATION

SCALE: 1/8" = 1'-0"



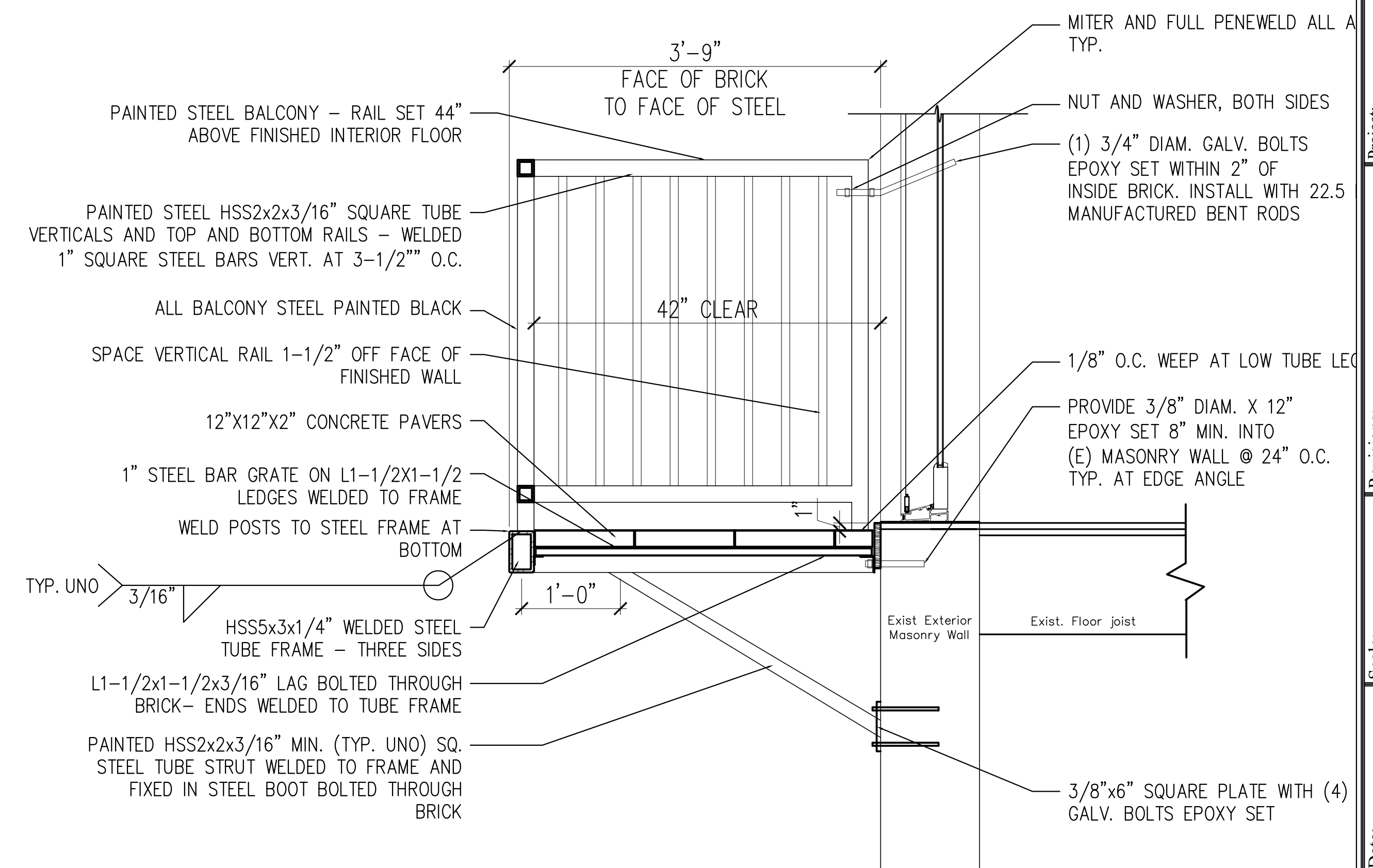
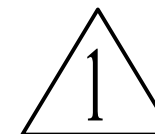
ENTRY GATE PLAN

SCALE: 1" = 1'-0"



ENTRY GATE ELEVATION

SCALE: 1" = 1'-0"



SECTION AT BALCONY

SCALE: 1/2" = 1'-0"



GENERAL NOTE:
 -ALL STEEL SHALL GALV. AND PAINTED
 -GRIND ALL WELDS SMOOTH
 -HILTI HY 70 EPOXY AND STAINLESS ST. SCREEN TUBES, TYP.

Prepared For:

Consulting Engineer:

Architect:

ARCHETYPE
architects
48 Union Wharf Portland, Maine 04101
(207) 772-6022 Fax (207) 772-4056

Project:

Winslow Lofts
545 CONGRESS ST.
PORTLAND, MAINE

Revisions:

(1)11/30/15 Changes based off HP Review
 (2)12/14/15 Structural Changes

Date:

SEPT. 2015

Scale:

1/8" = 1'-0"

BUILDING ELEVATIONS AND DETAILS

A2.01