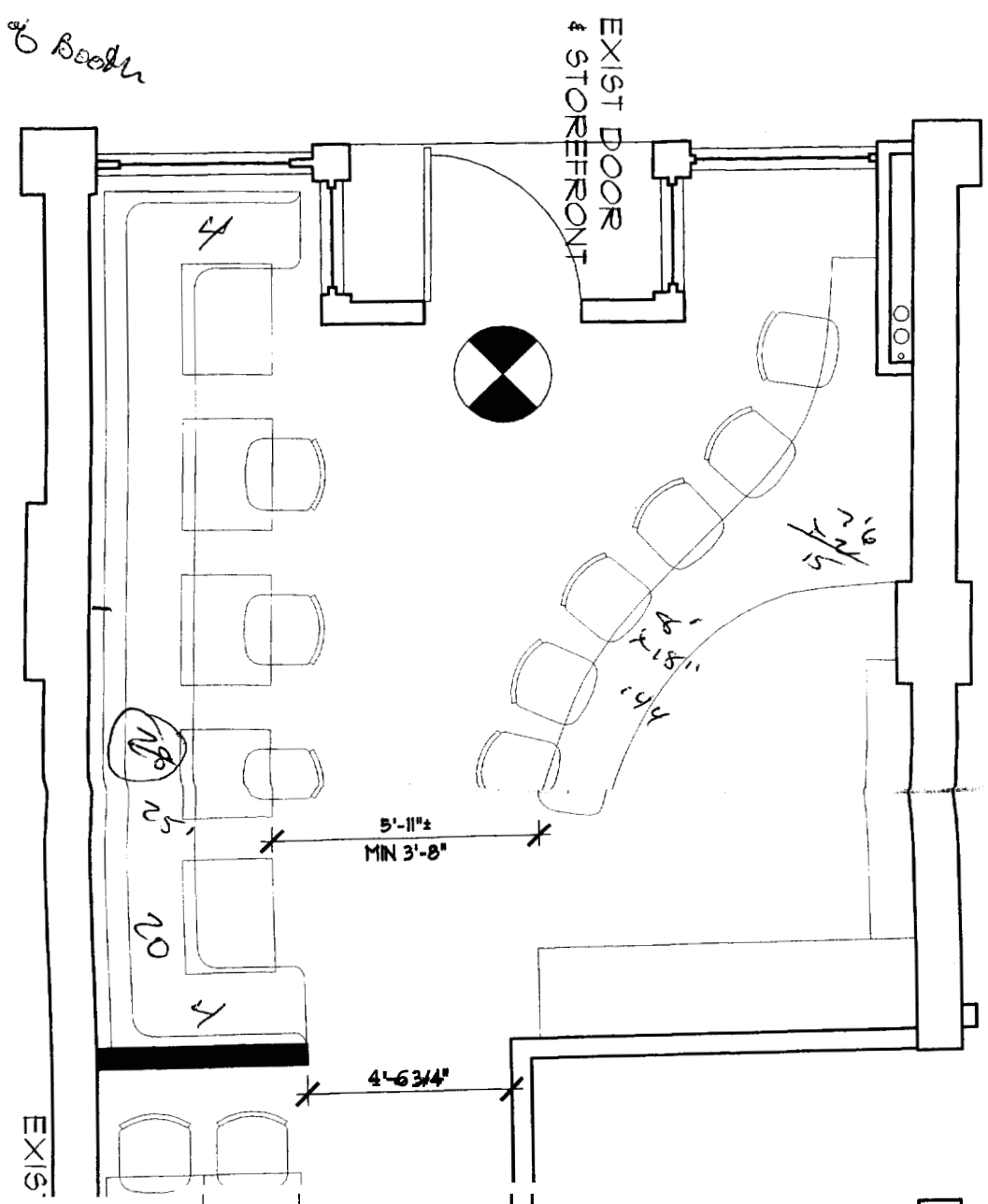


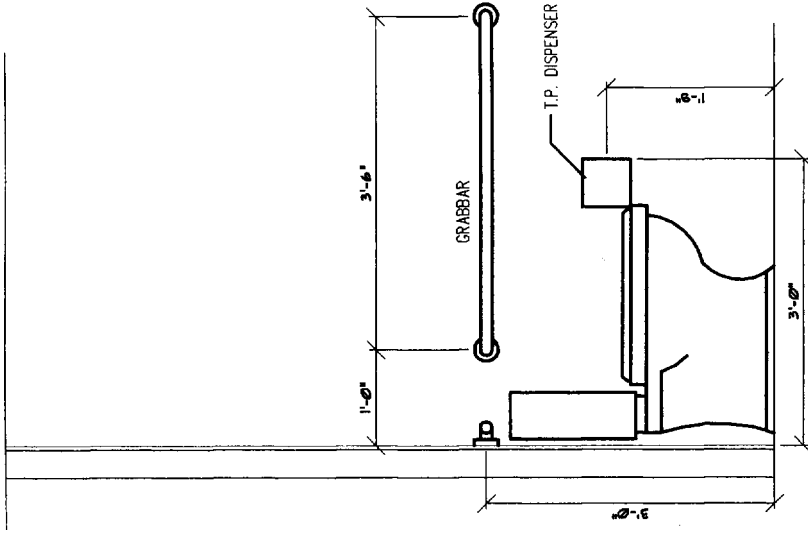
28
~~50.6~~ seats @ Booth
 33 seats shown
 61 seats shown

CONGRESS STREET

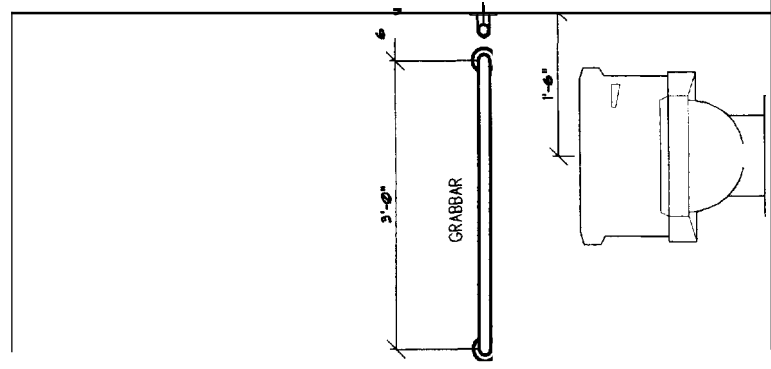
839

510" @ Booth





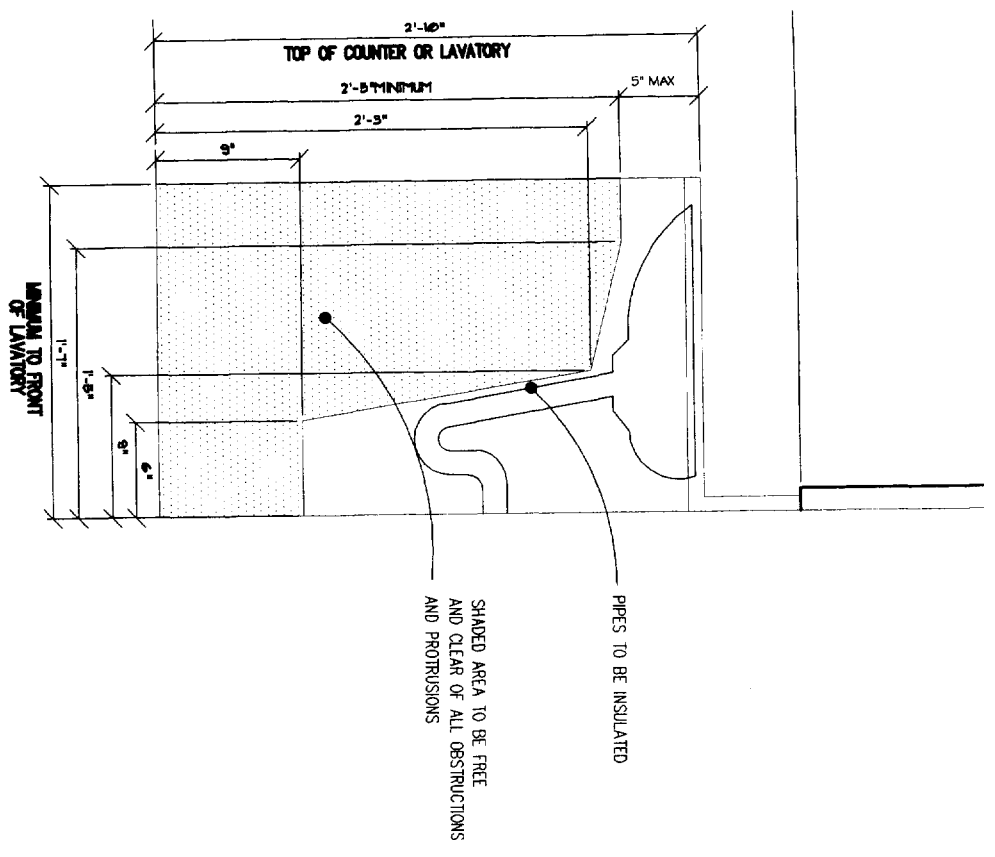
2 ELEVATION
SCALE 1/2" = 1'-0"



3 ELEVATION
SCALE 1/2" = 1'-0"

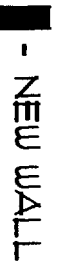


TOLMAN PLACE





- ILLUMINATED



- NEW WALL

