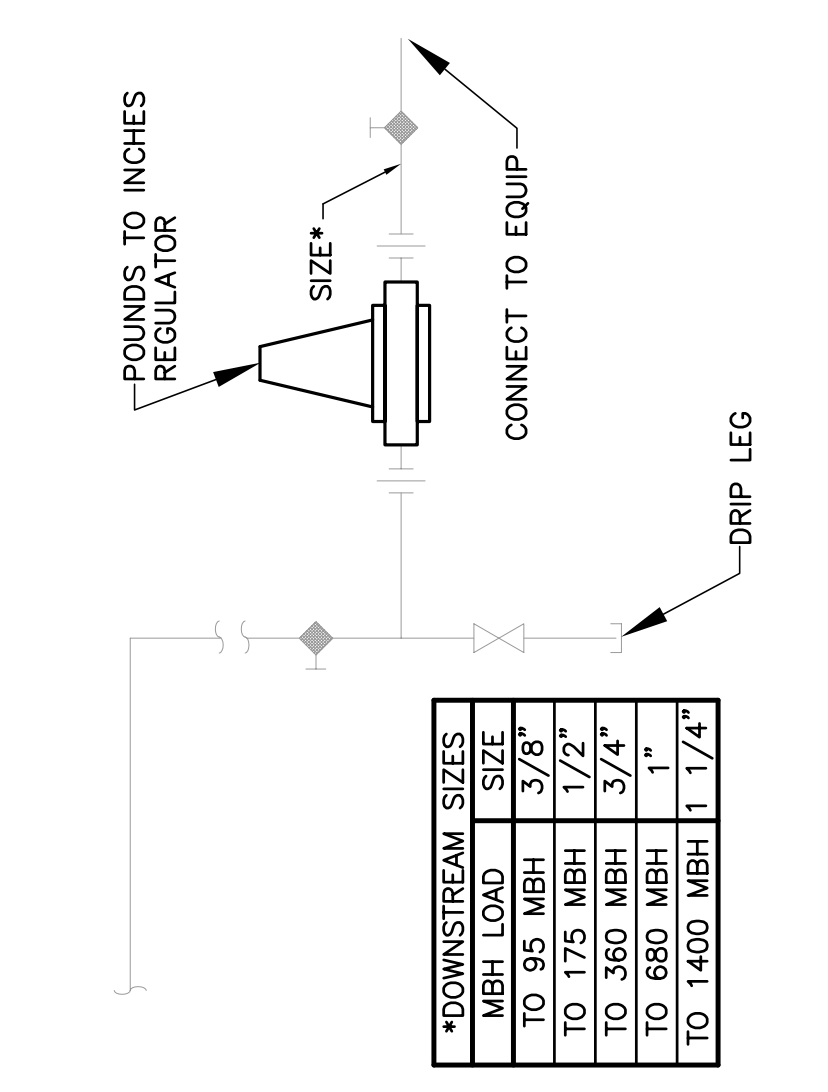
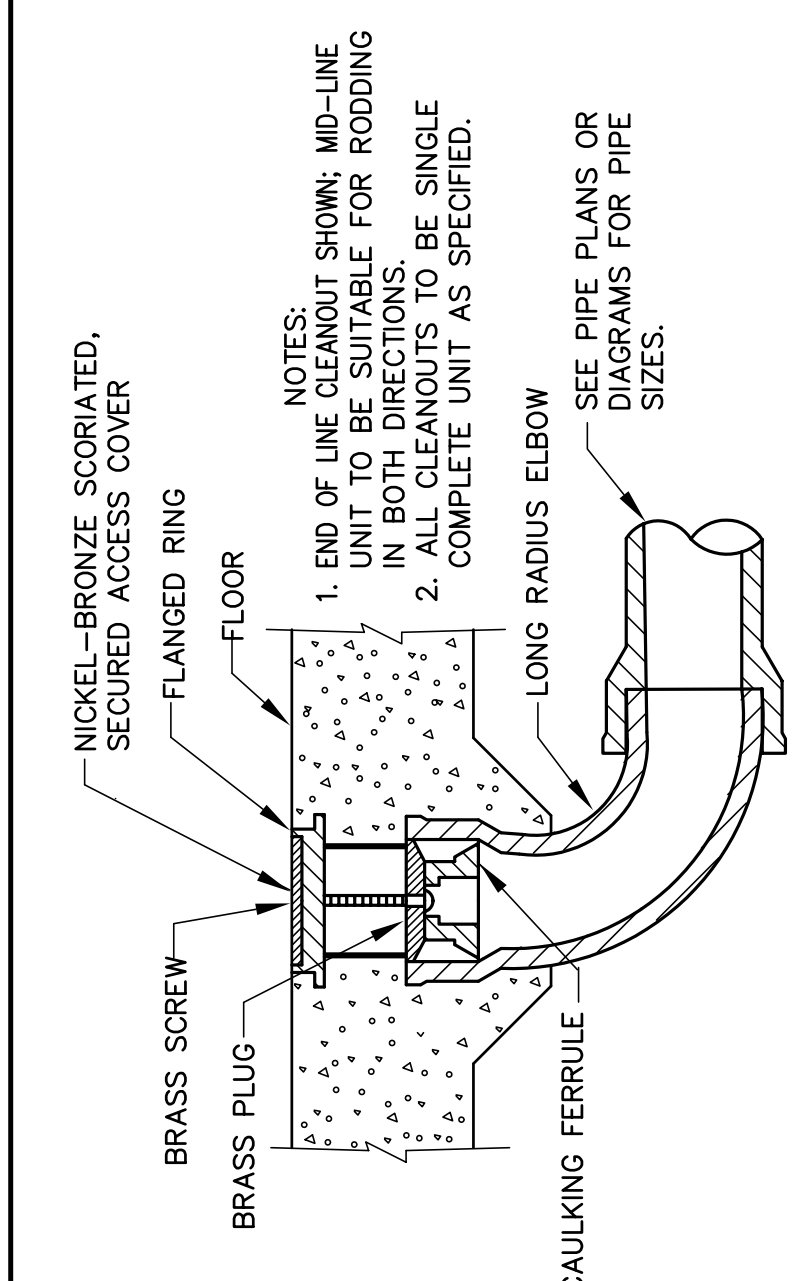


A WALL CLEANOUT DETAIL
NO SCALE
P2



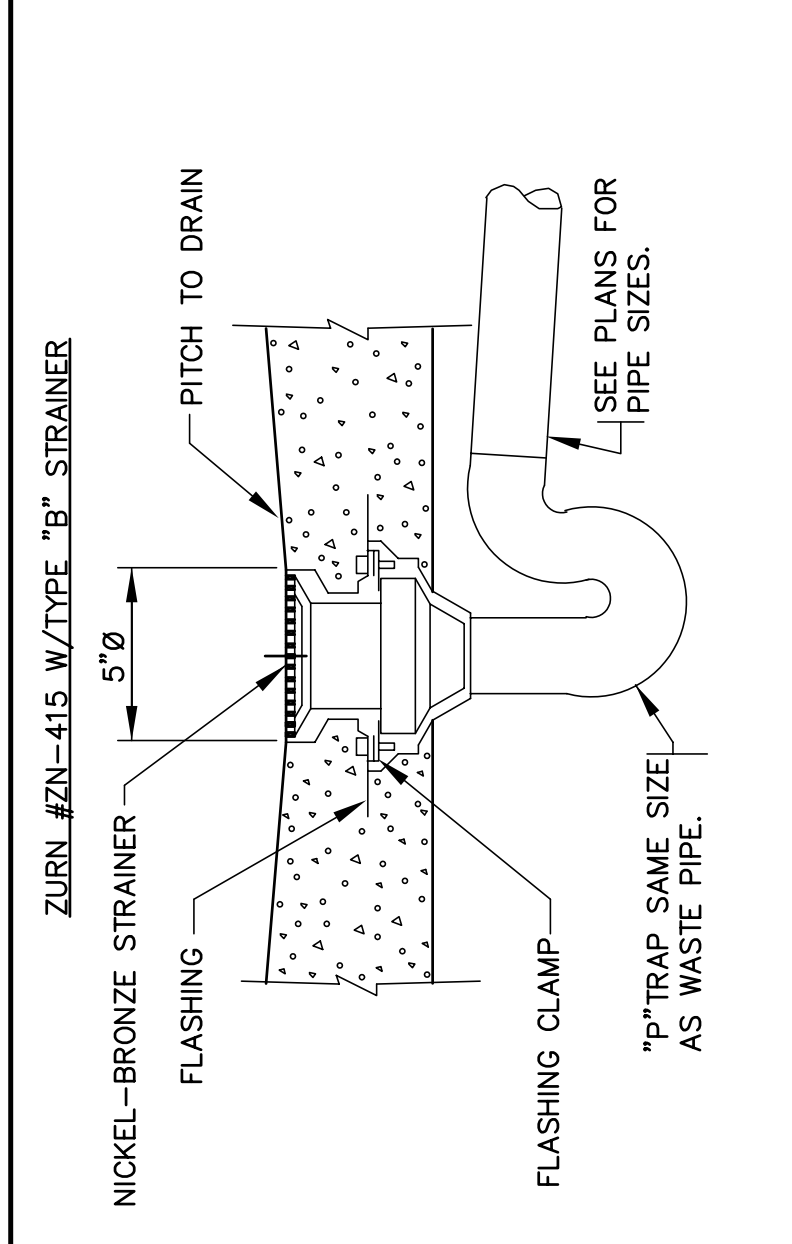
F INTERIOR GAS CONNECTION DETAIL
NO SCALE
P3

*DOWNSTREAM SIZES	MBH LOAD	SIZE
TO 95 MBH	3/8"	
TO 175 MBH	1/2"	
TO 360 MBH	3/4"	
TO 680 MBH	1"	
TO 1400 MBH	1 1/4"	

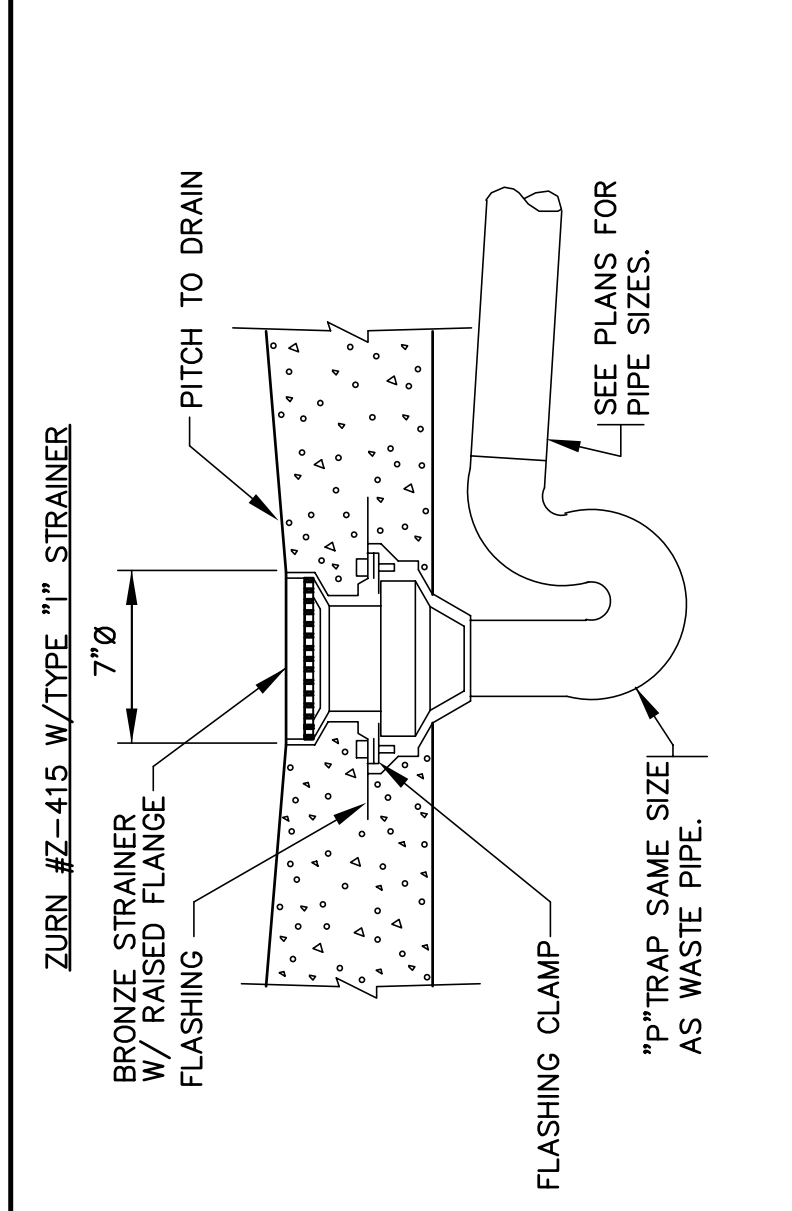


B FLOOR CLEANOUT DETAIL
NO SCALE
P2

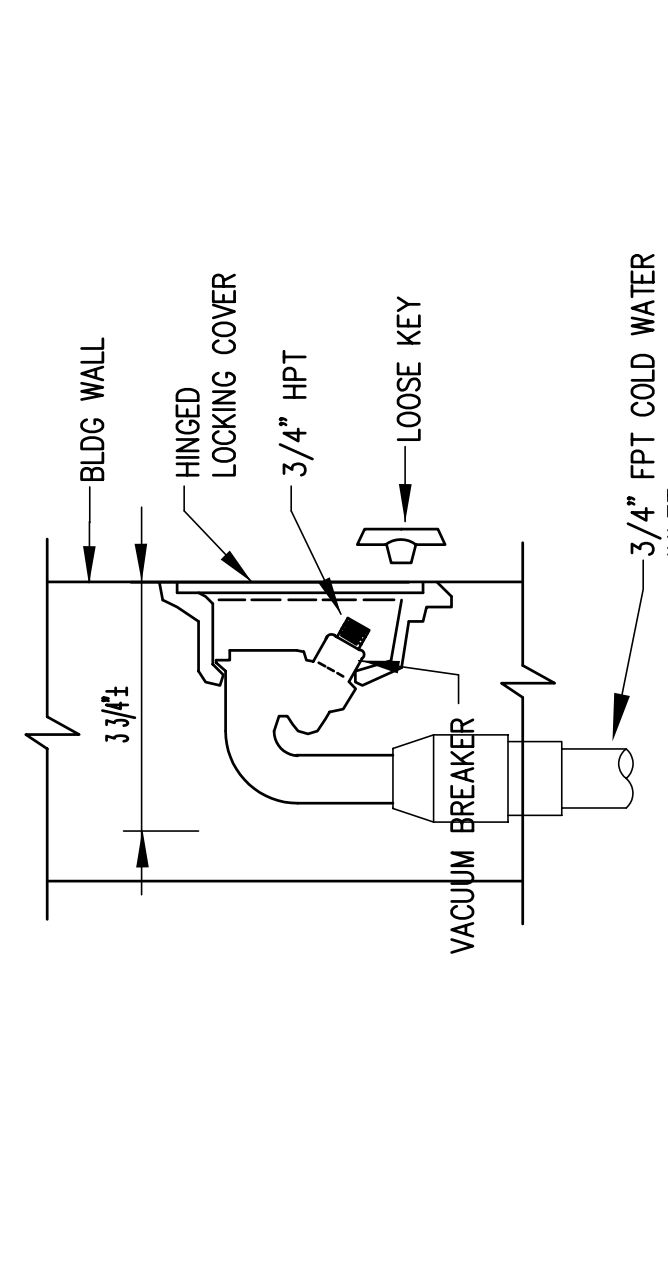
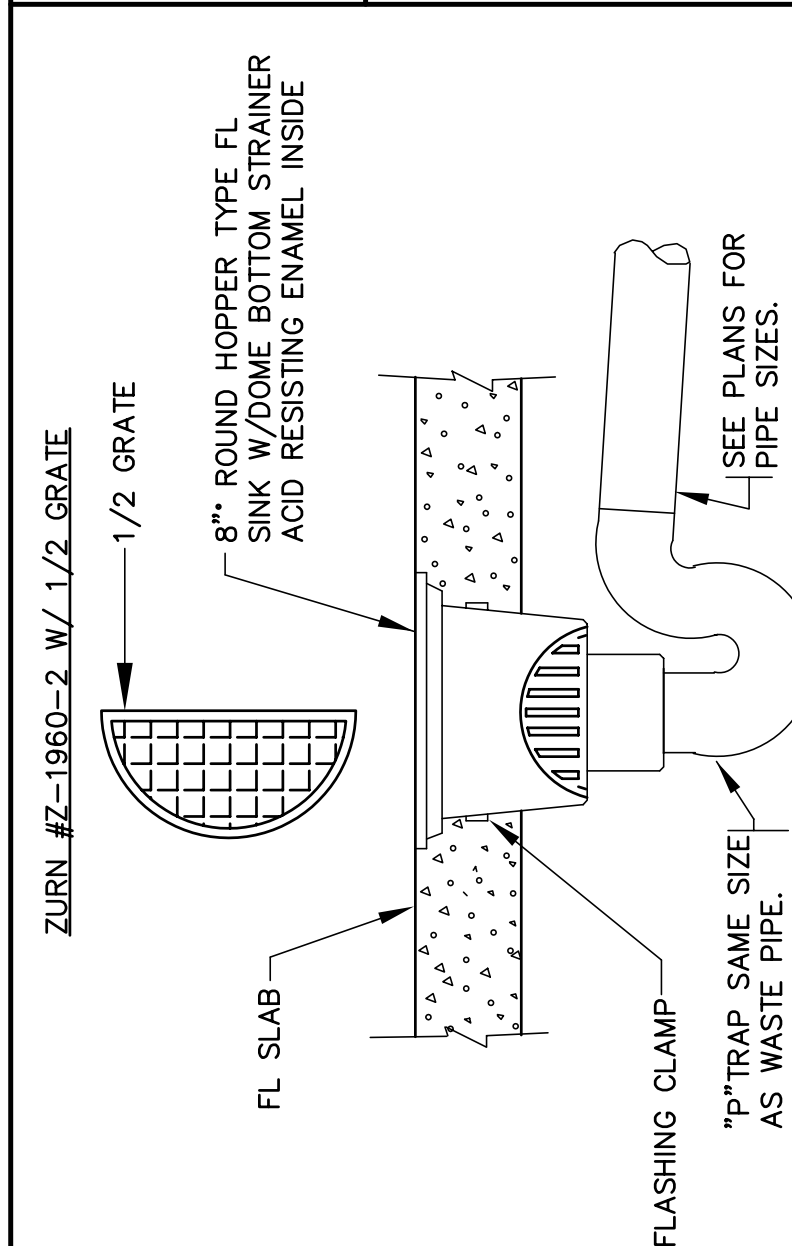
C FLOOR DRAIN "A" DETAIL
NO SCALE
P2



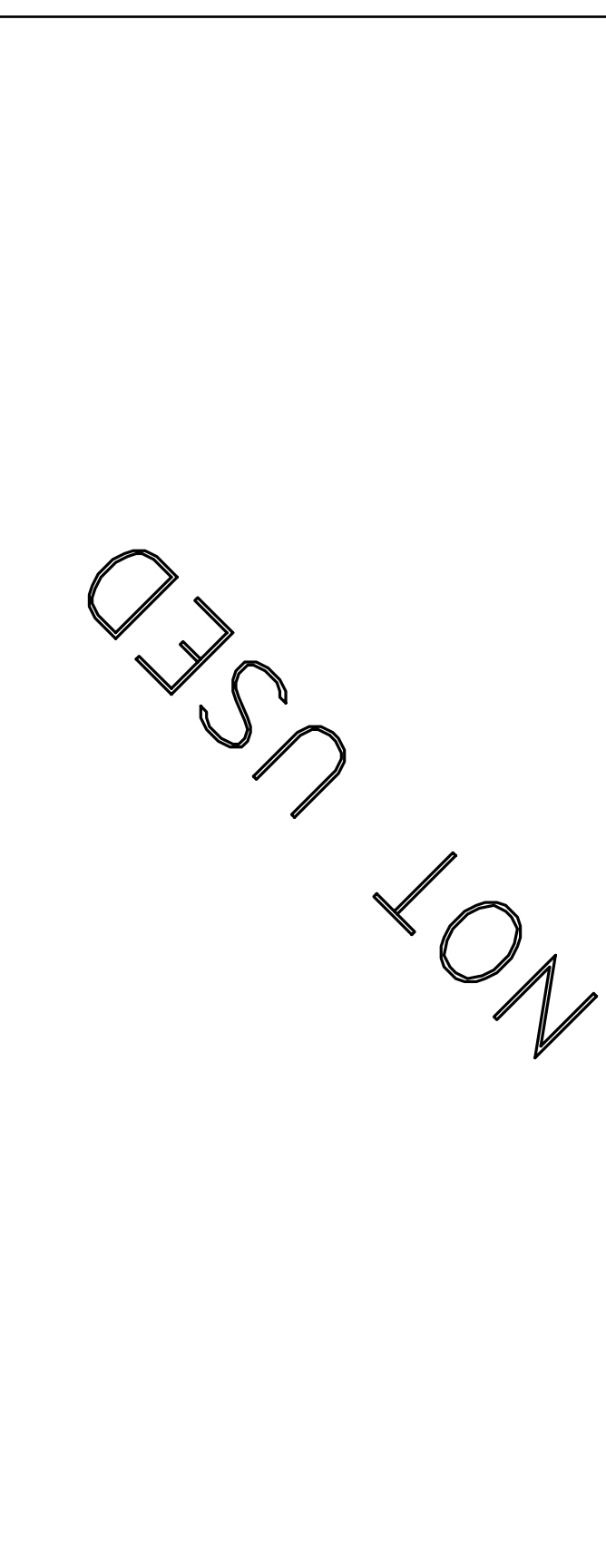
D FLOOR DRAIN "B" DETAIL
NO SCALE
P2



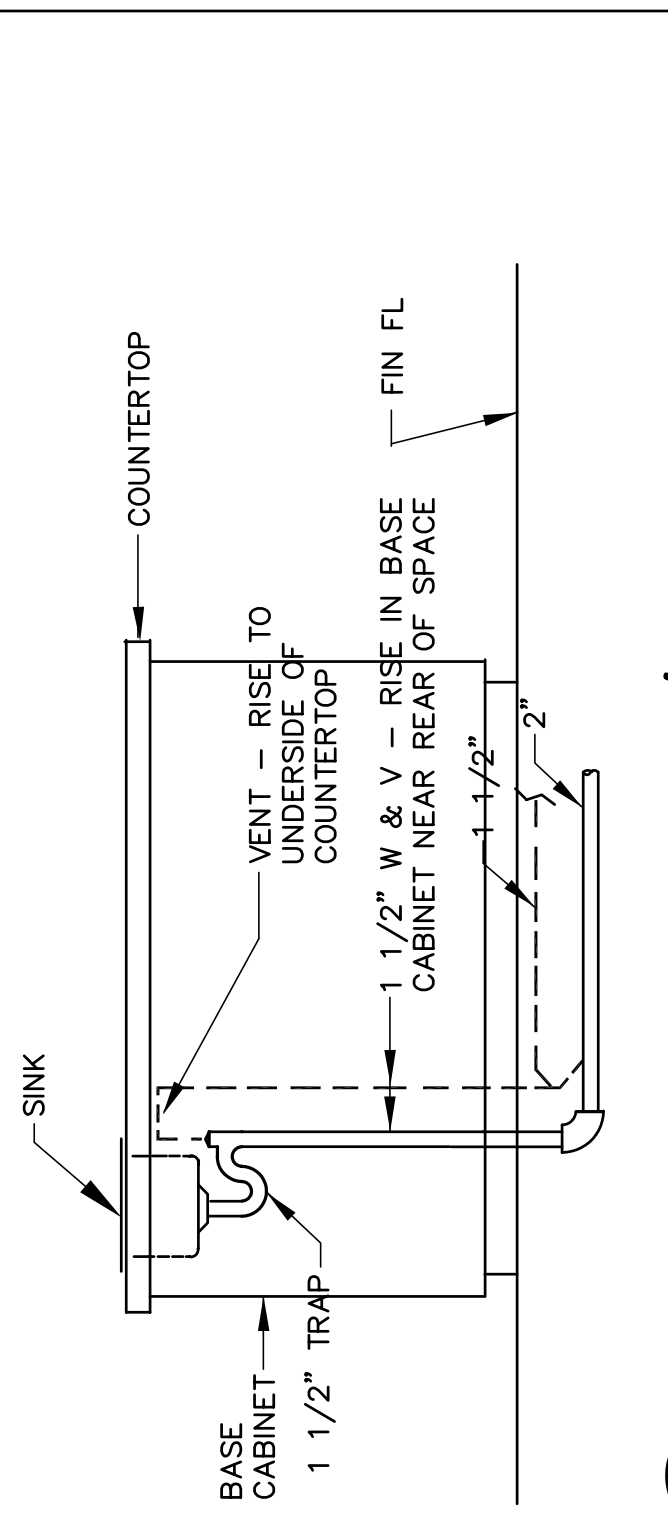
E FLOOR SINK DETAIL
NO SCALE
P2



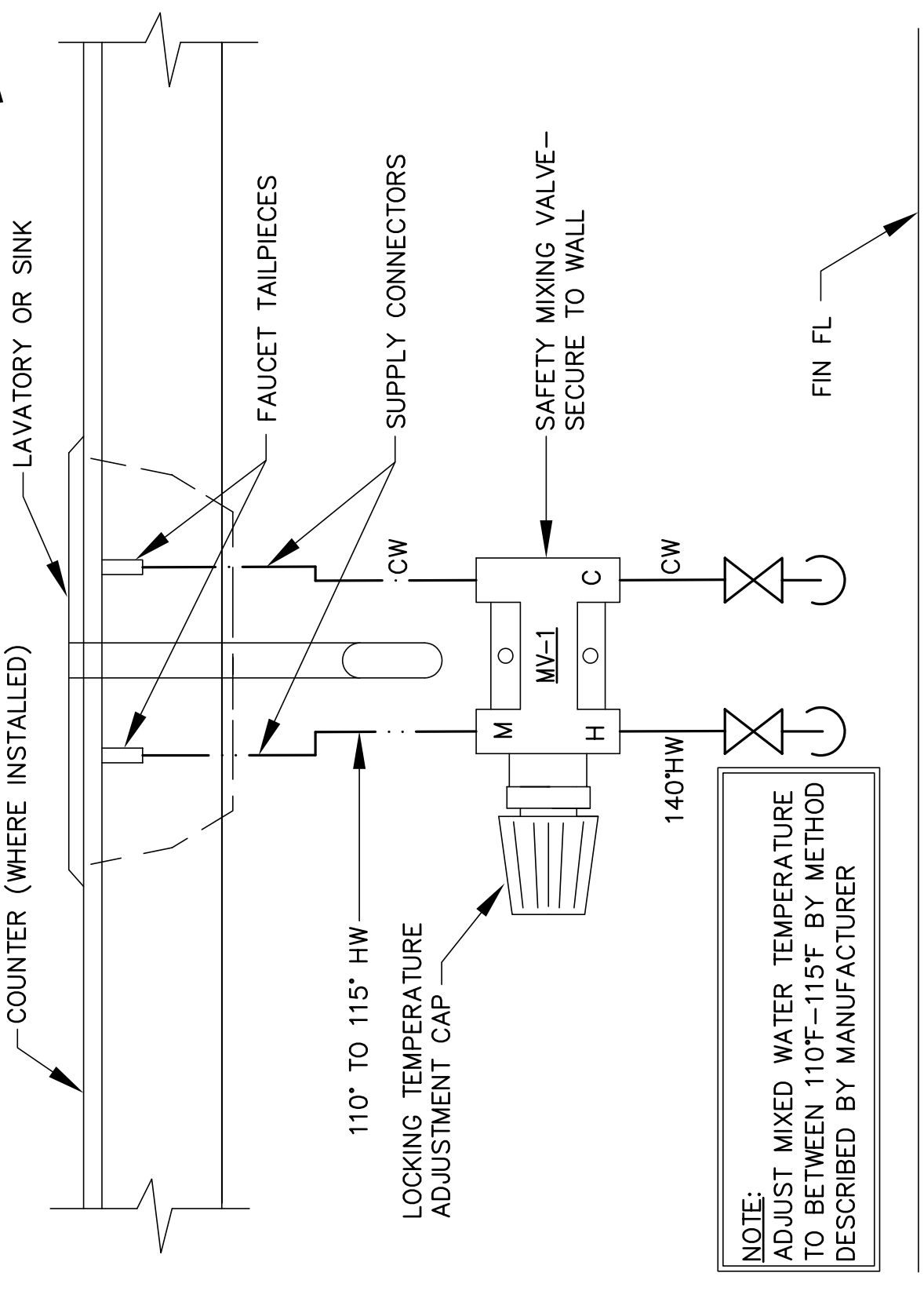
G P-8 WALL HYDRANT DETAIL
NO SCALE
P3



H

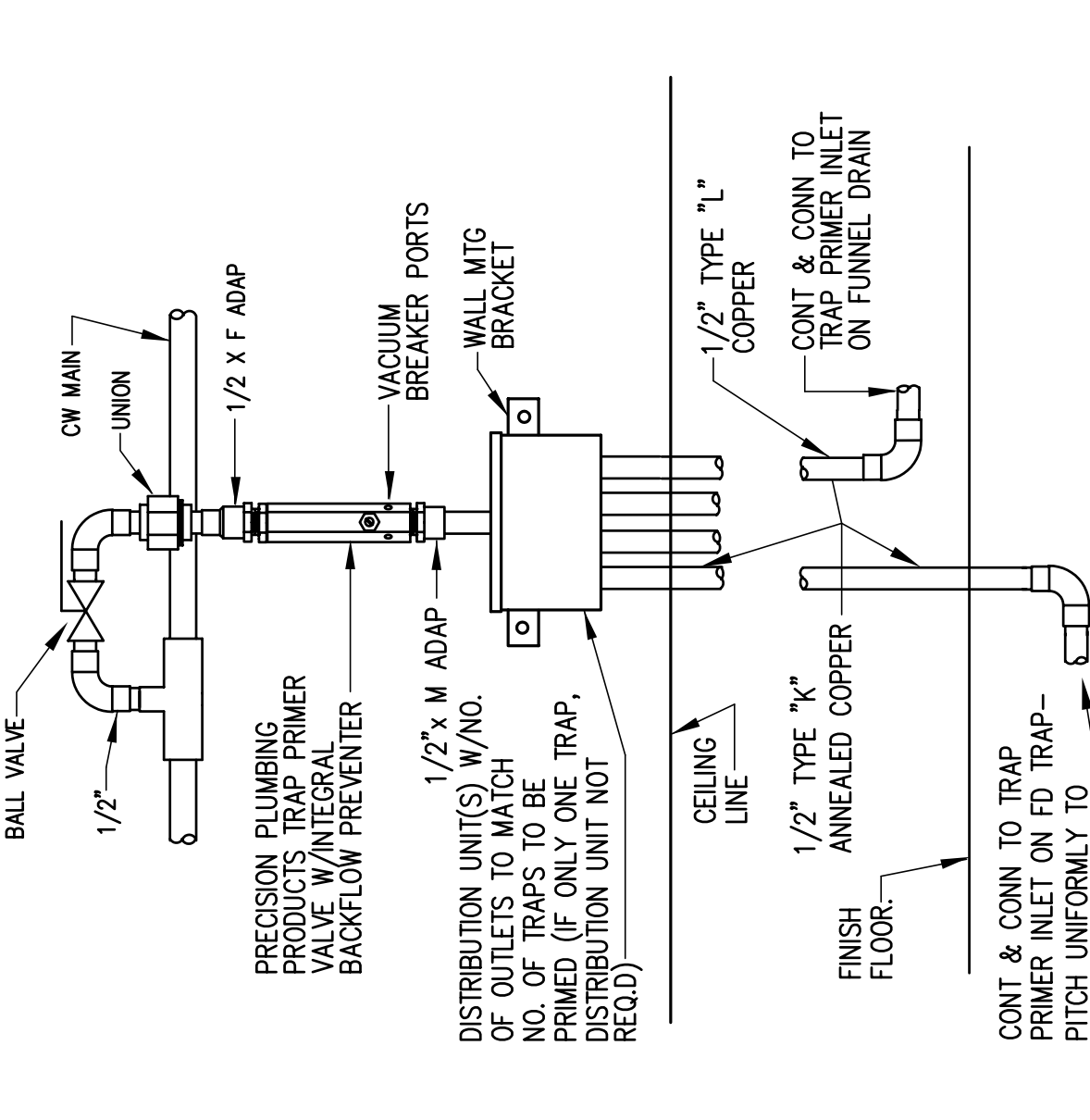


J ISLAND SINK WASTE/VENT DETAIL
NO SCALE
P2

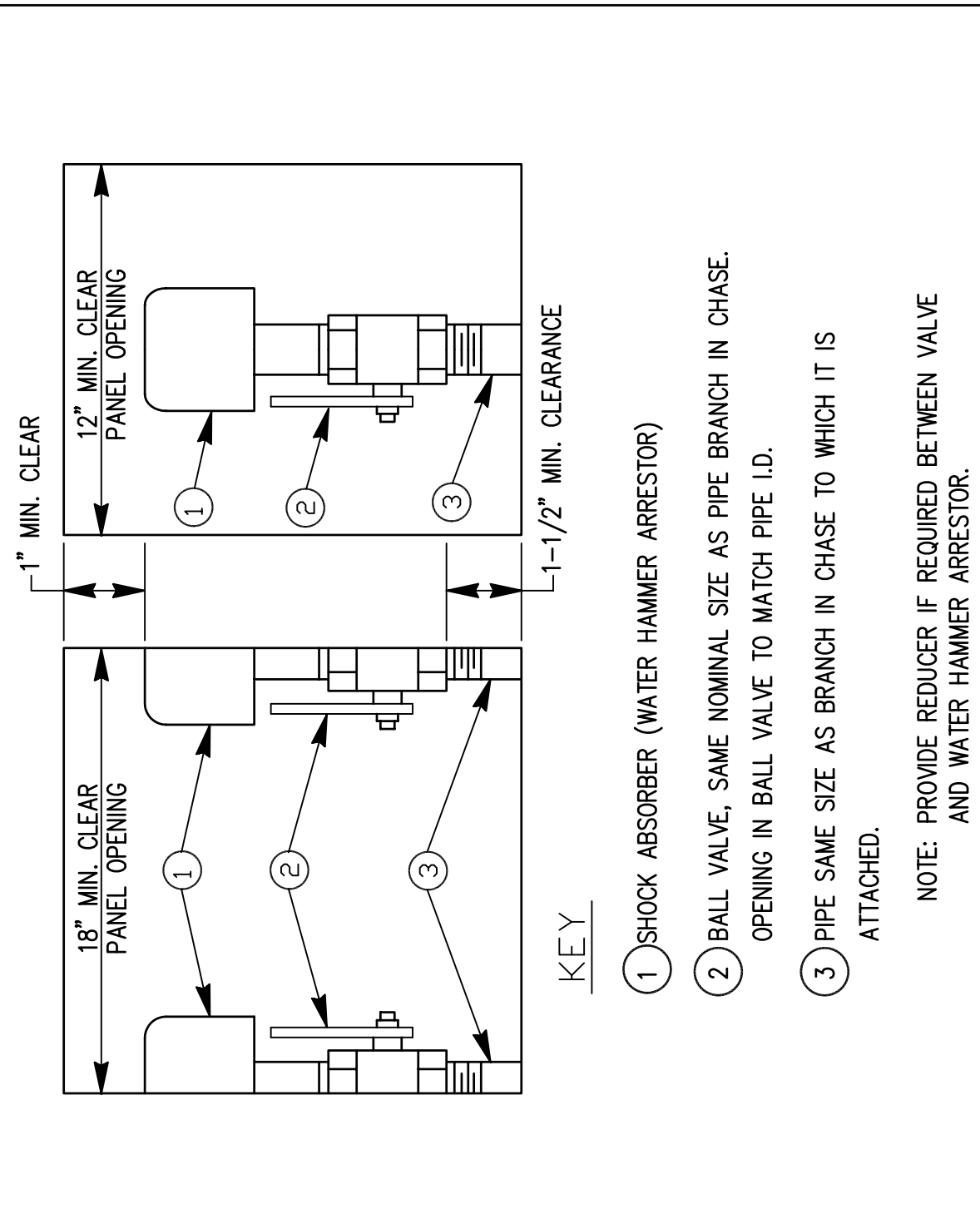


K SAFETY MIXING VALVE DETAIL
NO SCALE
P3

NOTE:
ADJUST MIXED WATER TEMPERATURE TO BETWEEN 110°F-115°F BY METHOD DESCRIBED BY MANUFACTURER



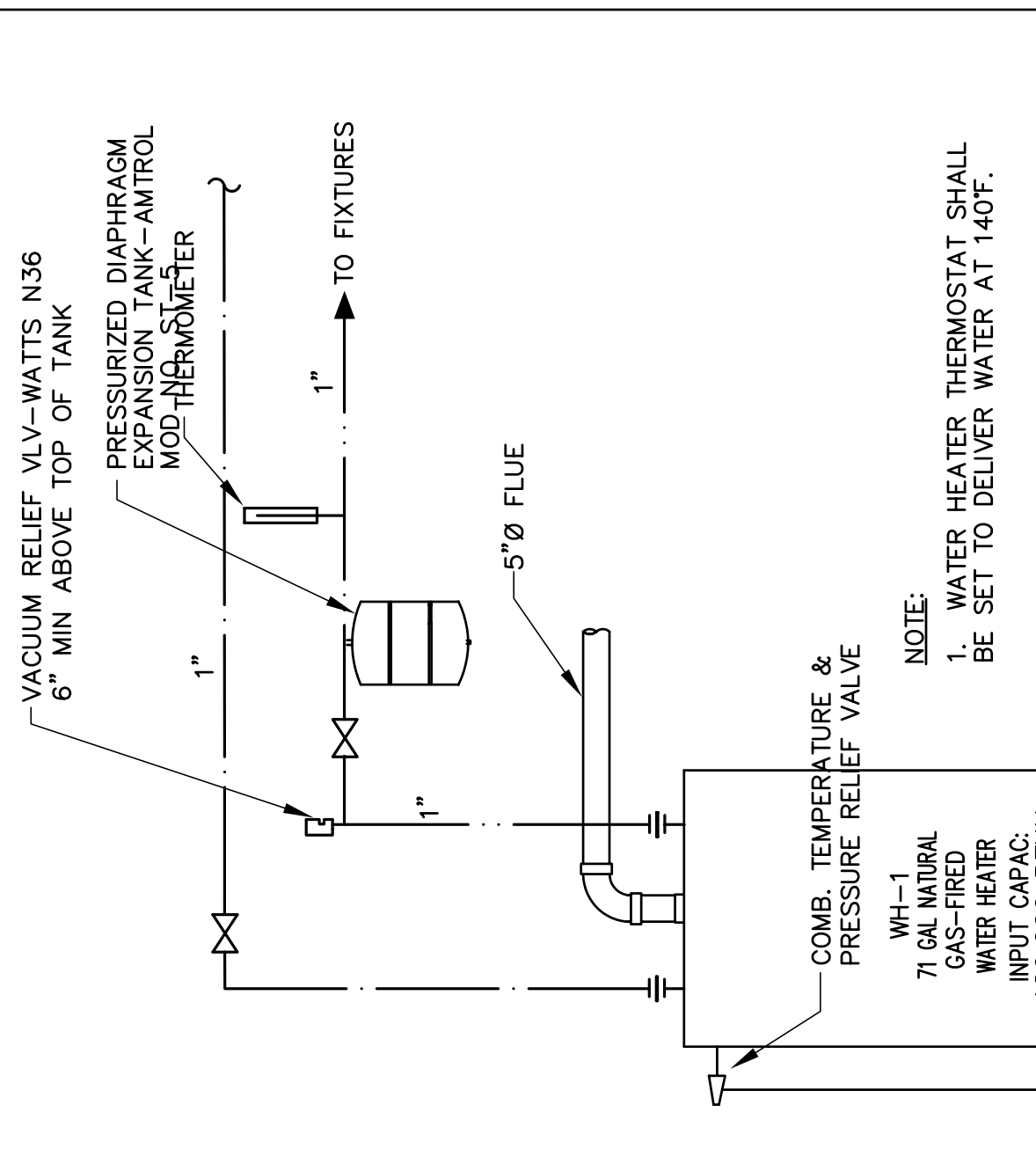
L TRAP PRIMER DETAIL
NO SCALE
P2



M SHOCK ABSORBER INSTALL. DETAIL
NO SCALE
P3

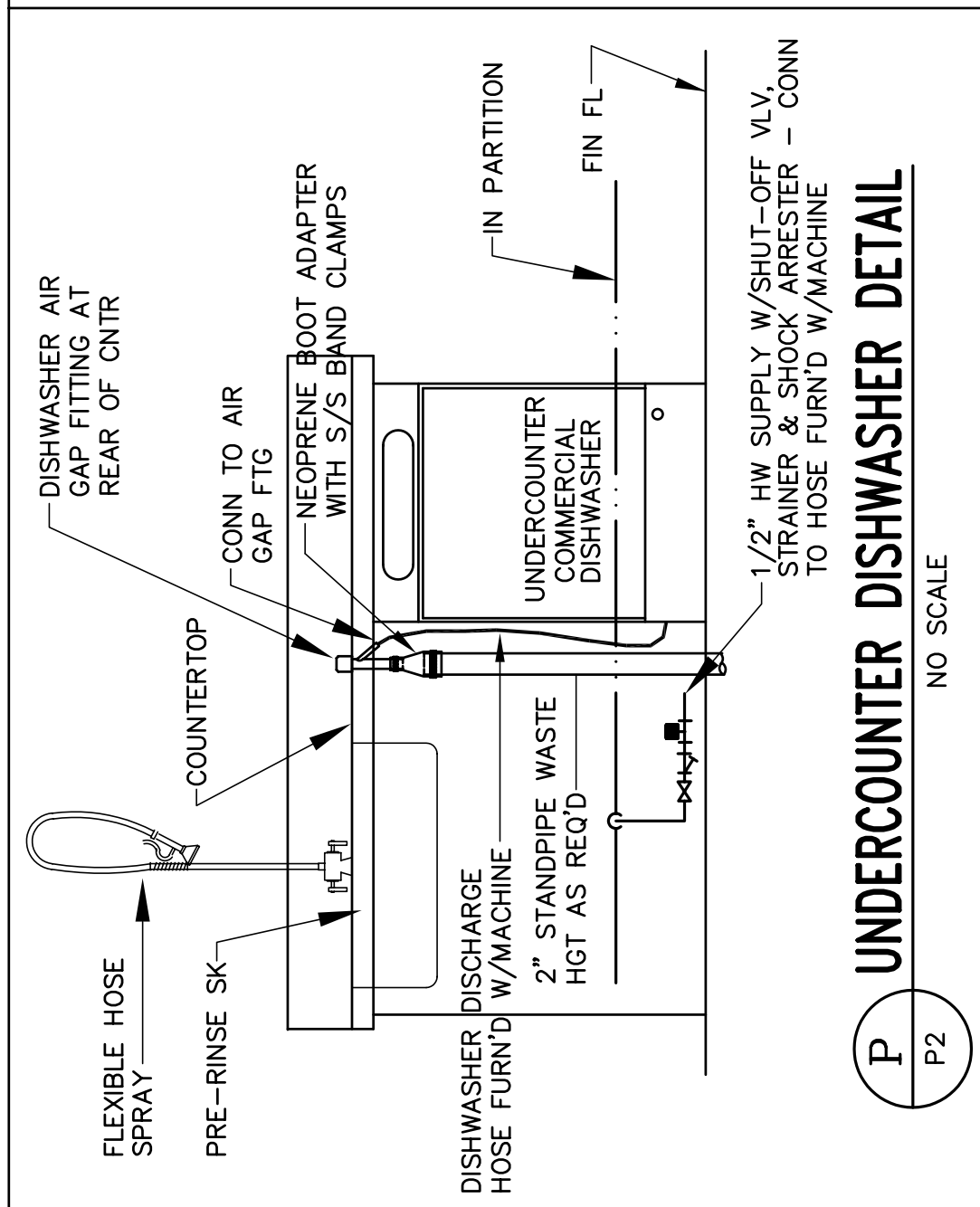
- KEY
- 1) SHOCK ABSORBER (WATER HAMMER ARRESTOR)
 - 2) BALL VALVE, SAME NOMINAL SIZE AS PIPE BRANCH IN CHASE. OPENING IN BALL VALVE TO MATCH PIPE I.D.
 - 3) PIPE SAME SIZE AS BRANCH IN CHASE TO WHICH IT IS ATTACHED.

NOTE: PROVIDE REDUCER IF REQUIRED BETWEEN VALVE AND WATER HAMMER ARRESTOR.



N NAT. GAS-FIRED WATER HEATER PIPING DETAIL
NO SCALE
P3

NOTE:
1. WATER HEATER THERMOSTAT SHALL BE SET TO DELIVER WATER AT 140°F.



P UNDERCOUNTER DISHWASHER DETAIL
NO SCALE
P2

FOR PERMITTING
8-5-05