

# ELECTRICAL LEGEND

## POWER DISTRIBUTION

- PANELBOARD—SURFACE MOUNTED
- ▬ PANELBOARD—FLUSH MOUNTED
- ▬▬ PANELBOARD—EXISTING
- ⊠ HEAVY DUTY FUSED DISCONNECT SWITCH
- ⊡ HEAVY DUTY NON-FUSED DISCONNECT SWITCH
- ⊜ MOTOR (NUMERAL INDICATES HP)
- ⊙ JUNCTION BOX
- WRING UNDERGROUND OR UNDERSLAB
- HOMERUN—2#12; #12G UNLESS NOTED OTHERWISE UTILIZING THE SAME CONDUIT
- SINGLE-PHASE HOMERUN OR MULTIPLE HOMERUN UTILIZING THE SAME CONDUIT

## RECEPTACLES

- MOUNT WITH CENTERLINE 18" AFF UNO
- MOUNT EXTERIOR WITH CENTERLINE 24" AFF UNO
- ♀ SINGLE RECEPTACLE — 20A, 125V
- ♀♀ DUPLEX RECEPTACLE — 20A, 125V
- ♀♀+c DOUBLE DUPLEX RECEPTACLE — 20A, 125V
- ♀♀+c DUPLEX RECEPTACLE — 20A, 125V — MOUNT WITH CENTERLINE AT 8" ABOVE CABINET TOP.
- ♀♀ GFCI TYPE DUPLEX RECEPTACLE
- ♀♀ GFCI RECEPTACLE WITH WEATHERPROOF COVER
- ♀ 50A, NEMA6-50 RECEPTACLE FOR RANGE

## FIRE ALARM SYSTEM

- Ⓢ FIRE ALARM CONTROL PANEL
- Ⓢ FIRE ALARM ANNUNCIATOR
- Ⓢ SMOKE DETECTOR
- Ⓢ HEAT DETECTOR — TEMP. AS NOTED
- Ⓢ MANUAL PULL STATION
- Ⓢ AUDIO/VISUAL INDICATING DEVICE
- Ⓢ 75c/d UNLESS NOTED OTHERWISE
- Ⓢ MAGNETIC DOOR HOLD OPEN DEVICE
- Ⓢ MINI AUDIO/VISUAL INDICATING DEVICE

## LIGHTING FIXTURES

- Ⓢ FRI — FIXTURE TYPE
- Ⓢ SW — SWITCHING
- Ⓢ HALF-SHADOW INDICATES NIGHT LIGHTING
- Ⓢ WRING AHEAD OF SWITCHING FOR 24 HR OPERATION
- Ⓢ WALL MOUNTED
- Ⓢ RECESSED DOWNLIGHT
- Ⓢ POLE MOUNT FIXTURE
- Ⓢ CEILING SURFACE MOUNTED
- Ⓢ EMERGENCY BATTERY LIGHTING UNIT W/HEADS
- Ⓢ REMOTE EMERGENCY HEADS
- Ⓢ EXIT SIGNS (SHADOW AREA INDICATES FACES)
- Ⓢ KEYLESS LAMPHOLDER W/ COMPACT FLUORESCENT LAMP
- Ⓢ PHOTOCELL
- Ⓢ TIMELOCK/CONTACTOR

## SWITCHES

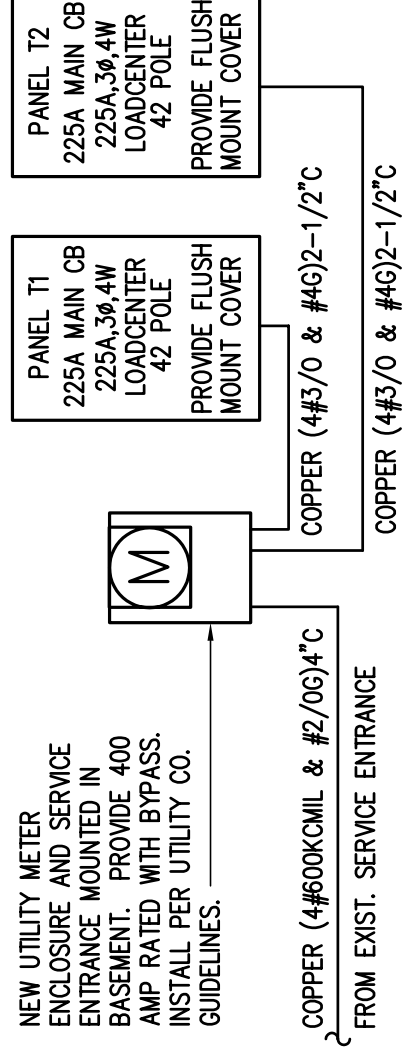
- Ⓢ SINGLE POLE
  - Ⓢ THREE WAY FOUR WAY
  - Ⓢ ADA DOOR OPENER BUTTON
  - Ⓢ LUTRON FLUORESCENT WALL DIMMER RATED FOR 1000W
  - Ⓢ KEYED SWITCH WITH L.E.D. INDICATOR LIGHT
- ## COMMUNICATIONS SYSTEMS
- Ⓢ — MOUNT 18" AFF UNLESS NOTED OTHERWISE.
  - Ⓢ TELEPHONE CONNECTION: 1- VOICE, 1- DATA
  - Ⓢ TELE/DATA OUTLET: 1- VOICE, 1- DATA
  - Ⓢ TELE/DATA OUTLET: 1- VOICE, 3- DATA

## AUDIO VIDEO SYSTEMS

PROVIDE ALL PULL CORDS HOMERUNS, IN CONDUIT, BACK TO ROOM #152. ALL DEVICES SHOWN IN MEETING HALL #120 HAVE CONDUITS ROUTED TO CONTROL ROOM #152 ABOVE ACCESSIBLE CEILING. (SEE AUDIO/VIDEO RISER DIAGRAM)

FOR PERMITTING 8-5-05

| TYPE | DESCRIPTION  | SUBS.    | VOLTAGE | MOUNTING & INSTRUCTIONS                                 | LAMPING  |
|------|--|----------|---------|---|--|
| L1   | LIGHTOLIER BE24-136-4H12-W SELF-POWERED EMERGENCY LIGHTING WITH LEAD CALCIUM BATTERY, SW HALOGEN HEADS.                | OR EQUAL | 120     | WALL SURFACE 7'-6" AFF OR AS INDICATED ON DRAWINGS      | INCLUDED 2-9WATT MR16  |
| L2   | LIGHTOLIER JL-T-N-URW, SELF-POWERED EXIT SIGN  | OR EQUAL | 120     | WALL SURFACE 7'-6" AFF OR AS INDICATED ON DRAWINGS      | INCLUDED L.E.D.  |
| L3   | EUREKA 1004-H-FRO-1600-0.35.   | OR EQUAL | 120     | RECESSED IN EXTERIOR SOFFIT                             | ONE 50W EXZ LAMP   |
| L4   | LIGHTOLIER SS623PHPT2050 AWSWSP9 - TWO FOUR FOOT LAMP STRIP WITH WIRE GUARD AND ELECTRONIC BALLAST                     | OR EQUAL | 120     | CHAIN SUSPENDED AT 7'-6" AFF                            | 2-F032 18/3500K  |
| L5   | ILLUMINATING EXPERIENCES - MELTEM LP3C-P/UP-DOWN   | OR EQUAL | 120     | PIANO WIRE SUSPENDED 8' AFF                             | TWO 100W RSC LAMPS   |
| L6   | ARTEMIDE - ESPERIA WALL-CEILING (PEDESTAL MOUNTED INDIRECT)  | OR EQUAL | 120     | PEDESTAL MOUNTED  | (3) 150W B15d FROSTED (FOR RED, GREEN, BLUE) & (1) 150W B15d CLEAR LAMPS |
| L7   | ILLUMINATING EXPERIENCES - NEMO AURIGA WALL - WHITE DIFFUSER   | OR EQUAL | 120     | WALL MOUNTED  | ONE 150W RSC LAMP  |
| L8   | FLOS - TIN SQUARE WHITE NICKEL PLATED  | OR EQUAL | 120     | WALL MOUNTED 6' AFF                                     | ONE 100W A19 LAMP  |
| L9   | BIRCHWOOD WP-TSHO-DIM  | OR EQUAL | 120     | RECESSED IN CEILING AT EDGE OF WALL                     | ONE 54W T5 3500K LAMP  |
| L10  | LSI - PENDANT 2 CIRCUIT TRACK SYSTEM (4) 32420, (2) FIELD CUT (4) 32405, (8) 73409, (1) 73408, (7) 297-10-G WITH GLASS | OR EQUAL | 120     | PLANO WIRE HUNG TRACK 9'-6" AFF COLOR FILTERS PER OWNER | (7) 0250W PAR 38 FL LAMPS  |
| L11  | LIGHTOLIER LYETIRIM - LINEAR FLUORESCENT LIGHT 8366 MATTE BLACK WITH MATTE WHITE REFLECTOR                             | OR EQUAL | 120     | MILKWORK MOUNTED PER OWNER                              | 1518 COOL WHITE OR COLORS PER OWNER                                      |



## BAR & RESTAURANT SPACE RISER DIAGRAM

SCALE: NONE

## FIRE ALARM NOTES

- MINIMUM SIZE CONDUIT SHALL BE 3/4" UNLESS NOTED OTHERWISE.
- SYSTEM WIRING SHALL BE INSTALLED IN CONDUIT AND IN ACCORDANCE WITH EQUIPMENT SUPPLIER'S APPROVED SHOP DRAWINGS AND WIRING DIAGRAMS.
- RISER DIAGRAM DOES NOT SHOW ENTIRE SYSTEM. REFER TO FLOOR PLANS FOR EXACT QUANTITIES AND LOCATIONS OF ALL SYSTEM DEVICES.
- PROVIDE CIRCUITS AS REQUIRED FOR AUDIBLE/VISUAL SIGNALS. ALTERNATELY WIRE AUDIBLE/VISUAL SIGNALS.
- PROVIDE LOCKING CIRCUIT BREAKER HANDLE ON POWER CIRCUIT. HANDLE SWINGING TO THE LEFT PREVENTS SWITCHING OF THE CIRCUIT BREAKER TO THE OFF POSITION.
- ALL WIRING SHALL BE CONCEALED.

## FIRE ALARM RISER DIAGRAM

SCALE: N.T.S.

| PANEL "T1" (DEDICATED FOR KITCHEN)                                       |      | PANEL "T2" (GENERAL LIGHTING AND SPACE POWER)                            |         |       |         |      |                  |
|--|------|--|---------|-------|---------|------|------------------|
| INTERRUPTING CAPACITY: 22KAC RMS SYM MAIN - 225 AMP MAIN CIRCUIT BREAKER |      | INTERRUPTING CAPACITY: 22KAC RMS SYM MAIN - 225 AMP MAIN CIRCUIT BREAKER |         |       |         |      |                  |
| LOAD DESCRIPTION   | CB   | PHASE  | CR. NO. | PHASE | CR. NO. | CB   | LOAD DESCRIPTION |
| LIGHTING   | 20/1 | A  | 1       | A     | 2       | 20/1 | LIGHTING         |
| LIGHTING   | 20/1 | B  | 3       | B     | 4       | 20/1 | LIGHTING         |
| LIGHTING   | 20/1 | C  | 5       | C     | 6       | 20/1 | LIGHTING         |
| GENERAL POWER  | 20/1 | A  | 7       | A     | 8       | 20/1 | GENERAL POWER    |
| GENERAL POWER  | 20/1 | B  | 9       | B     | 10      | 20/1 | GENERAL POWER    |
| GENERAL POWER  | 20/1 | C  | 11      | C     | 12      | 20/1 | GENERAL POWER    |
| GENERAL POWER  | 20/1 | A  | 13      | A     | 14      | 20/1 | GENERAL POWER    |
| GENERAL POWER  | 20/1 | B  | 15      | B     | 16      | 20/1 | GENERAL POWER    |
| GENERAL POWER  | 20/1 | C  | 17      | C     | 18      | 20/1 | GENERAL POWER    |
| GENERAL POWER  | 20/1 | A  | 19      | A     | 20      | 20/1 | GENERAL POWER    |
| GENERAL POWER  | 20/1 | B  | 21      | B     | 22      | 20/1 | GENERAL POWER    |
| GENERAL POWER  | 20/1 | C  | 23      | C     | 24      | 20/1 | GENERAL POWER    |
| GENERAL POWER  | 20/1 | A  | 25      | A     | 26      | 20/1 | GENERAL POWER    |
| GENERAL POWER  | 20/1 | B  | 27      | B     | 28      | 20/1 | GENERAL POWER    |
| GENERAL POWER  | 20/1 | C  | 29      | C     | 30      | 20/1 | GENERAL POWER    |
| GENERAL POWER  | 20/1 | A  | 31      | A     | 32      | 20/1 | GENERAL POWER    |
| GENERAL POWER  | 20/1 | B  | 33      | B     | 34      | 20/1 | GENERAL POWER    |
| GENERAL POWER  | 20/1 | C  | 35      | C     | 36      | 20/1 | GENERAL POWER    |
| GENERAL POWER  | 20/1 | A  | 37      | A     | 38      | 20/1 | GENERAL POWER    |
| GENERAL POWER  | 20/1 | B  | 39      | B     | 40      | 20/1 | GENERAL POWER    |
| GENERAL POWER  | 20/1 | C  | 41      | C     | 42      | 20/1 | GENERAL POWER    |

\* ALL OTHER CIRCUIT BREAKERS SHALL BE PROVIDED BY TENANT DURING FIT-UP AND EQUIPMENT INSTALLATION.

| PANEL "T1" (DEDICATED FOR KITCHEN)                                       |      | PANEL "T2" (GENERAL LIGHTING AND SPACE POWER)                            |         |       |         |      |                  |
|--|------|--|---------|-------|---------|------|------------------|
| INTERRUPTING CAPACITY: 22KAC RMS SYM MAIN - 225 AMP MAIN CIRCUIT BREAKER |      | INTERRUPTING CAPACITY: 22KAC RMS SYM MAIN - 225 AMP MAIN CIRCUIT BREAKER |         |       |         |      |                  |
| LOAD DESCRIPTION   | CB   | PHASE  | CR. NO. | PHASE | CR. NO. | CB   | LOAD DESCRIPTION |
| LIGHTING   | 20/1 | A  | 1       | A     | 2       | 20/1 | LIGHTING         |
| LIGHTING   | 20/1 | B  | 3       | B     | 4       | 20/1 | LIGHTING         |
| LIGHTING   | 20/1 | C  | 5       | C     | 6       | 20/1 | LIGHTING         |
| GENERAL POWER  | 20/1 | A  | 7       | A     | 8       | 20/1 | GENERAL POWER    |
| GENERAL POWER  | 20/1 | B  | 9       | B     | 10      | 20/1 | GENERAL POWER    |
| GENERAL POWER  | 20/1 | C  | 11      | C     | 12      | 20/1 | GENERAL POWER    |
| GENERAL POWER  | 20/1 | A  | 13      | A     | 14      | 20/1 | GENERAL POWER    |
| GENERAL POWER  | 20/1 | B  | 15      | B     | 16      | 20/1 | GENERAL POWER    |
| GENERAL POWER  | 20/1 | C  | 17      | C     | 18      | 20/1 | GENERAL POWER    |
| GENERAL POWER  | 20/1 | A  | 19      | A     | 20      | 20/1 | GENERAL POWER    |
| GENERAL POWER  | 20/1 | B  | 21      | B     | 22      | 20/1 | GENERAL POWER    |
| GENERAL POWER  | 20/1 | C  | 23      | C     | 24      | 20/1 | GENERAL POWER    |
| GENERAL POWER  | 20/1 | A  | 25      | A     | 26      | 20/1 | GENERAL POWER    |
| GENERAL POWER  | 20/1 | B  | 27      | B     | 28      | 20/1 | GENERAL POWER    |
| GENERAL POWER  | 20/1 | C  | 29      | C     | 30      | 20/1 | GENERAL POWER    |
| GENERAL POWER  | 20/1 | A  | 31      | A     | 32      | 20/1 | GENERAL POWER    |
| GENERAL POWER  | 20/1 | B  | 33      | B     | 34      | 20/1 | GENERAL POWER    |
| GENERAL POWER  | 20/1 | C  | 35      | C     | 36      | 20/1 | GENERAL POWER    |
| GENERAL POWER  | 20/1 | A  | 37      | A     | 38      | 20/1 | GENERAL POWER    |
| GENERAL POWER  | 20/1 | B  | 39      | B     | 40      | 20/1 | GENERAL POWER    |
| GENERAL POWER  | 20/1 | C  | 41      | C     | 42      | 20/1 | GENERAL POWER    |

\* ALL OTHER CIRCUIT BREAKERS SHALL BE PROVIDED BY TENANT DURING FIT-UP

AVM engineering, inc. CONSULTING ENGINEERS

48 Union Wharf Portland, Maine 04101 (207) 772-6022 Fax (207) 772-4056

ARCHETYPE, P.A. ARCHITECTS

551 CONGRESS STREET PORTLAND, MAINE

BAR

Owner: CONGRESS STREET PORTLAND, MAINE

ELECTRICAL DETAILS, DIAGRAMS, & LEGEND, NOTES & SCHEDULES

Date: 8-5-05

Drawn By: CLC

Revisions:

Checked By: AMM

Scale AS NOTED

FOR PERMITTING 8-5-05

1-GANG JUNCTION BOX: ←H1

2-GANG JUNCTION BOX: ←H2

3-GANG JUNCTION BOX: ←H3