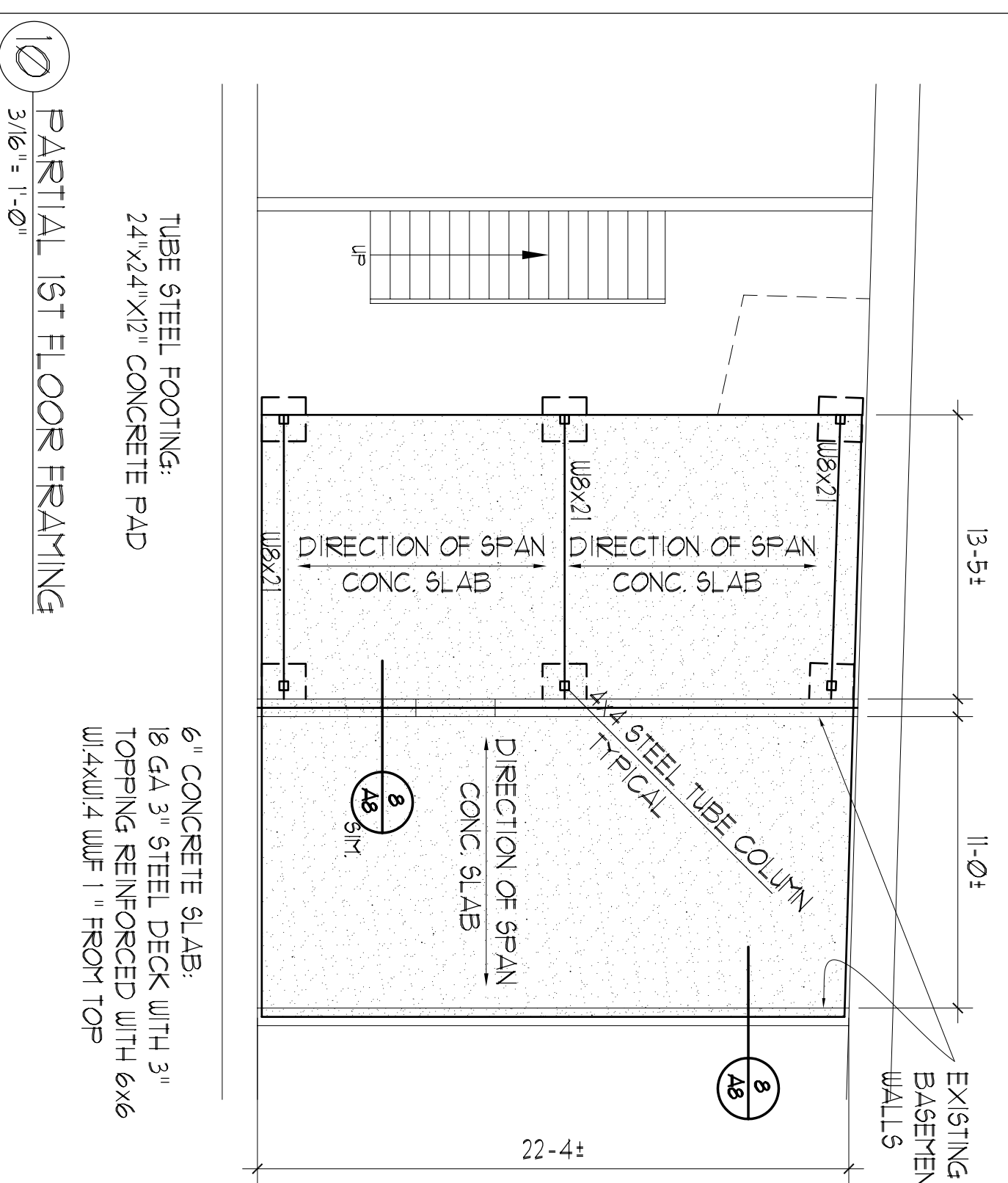
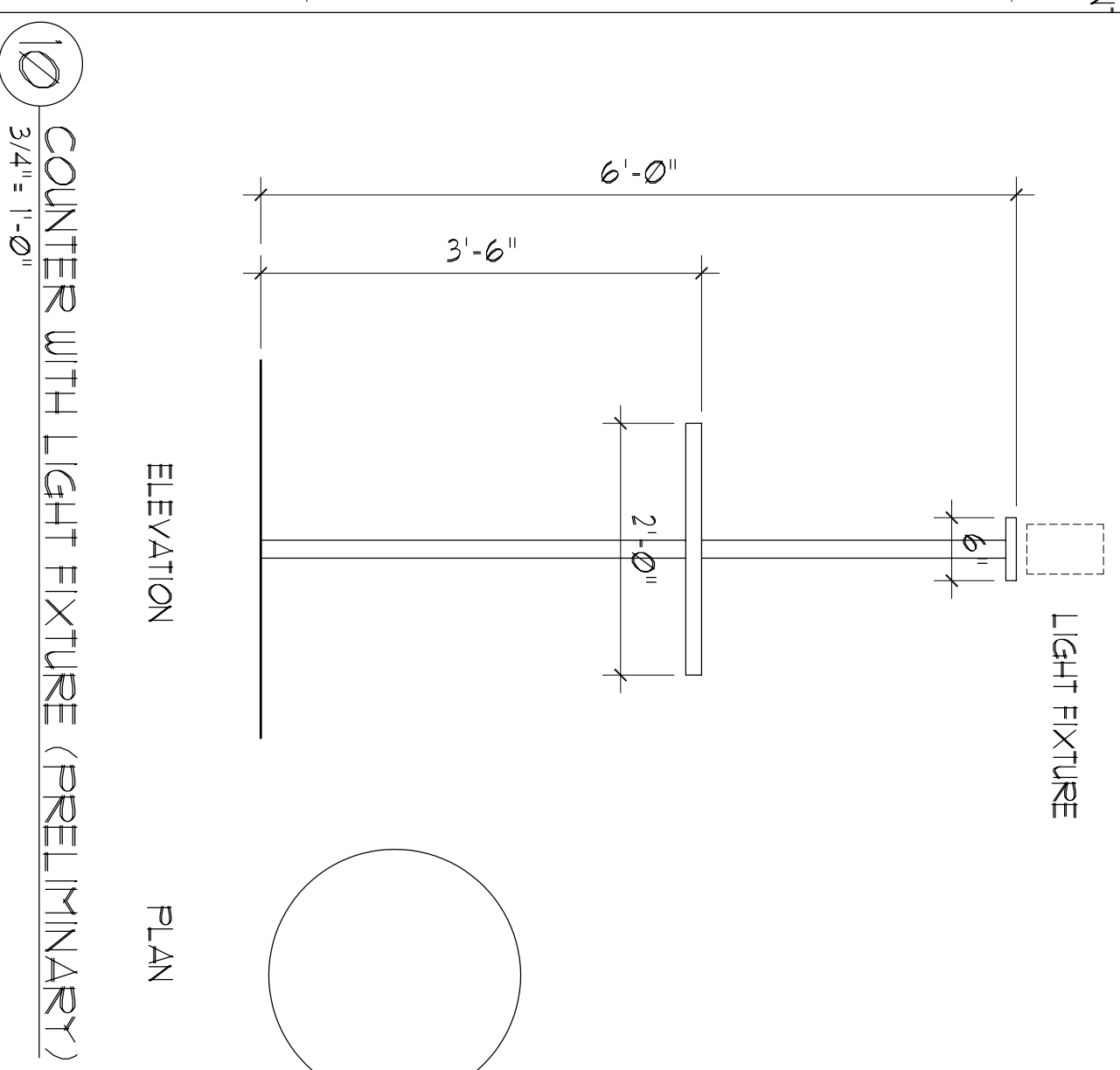


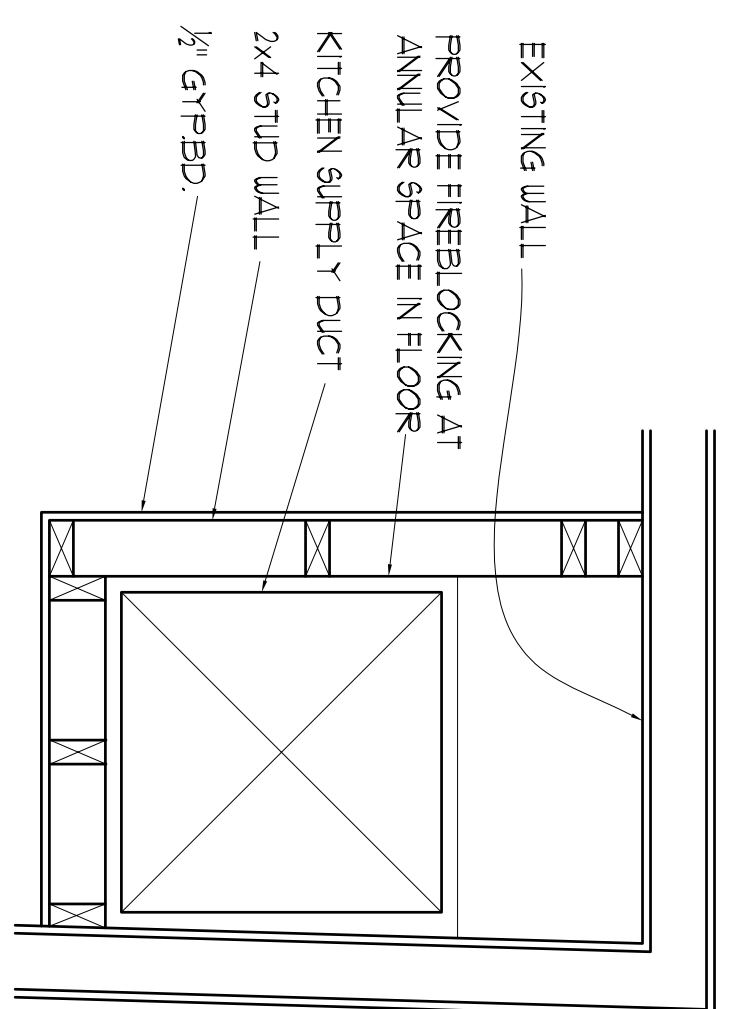
9 JAMB DETAIL AT TRANSOM
1/12" = 1'-0"



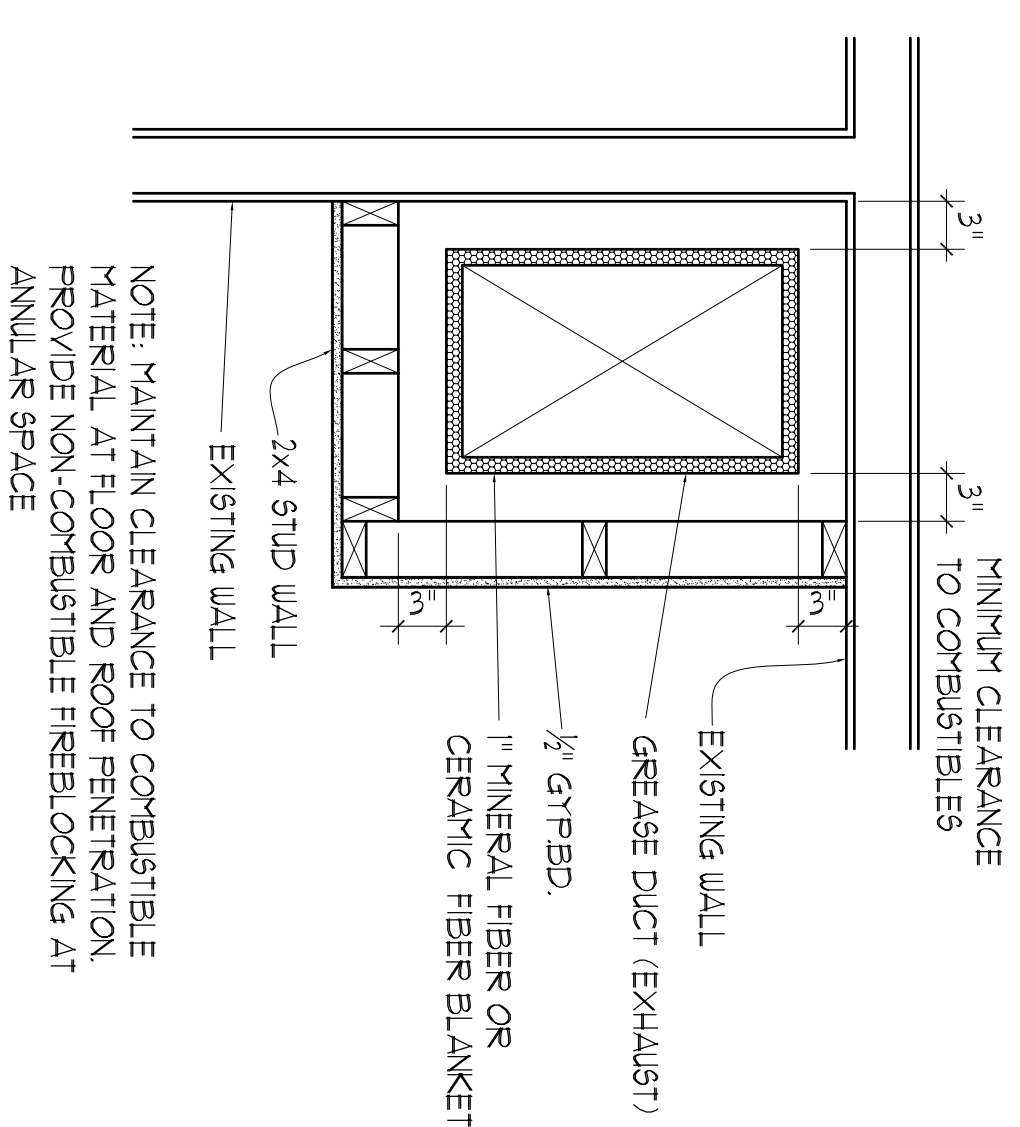
10 PARTIAL 1ST FLOOR FRAMING
3/16" = 1'-0"



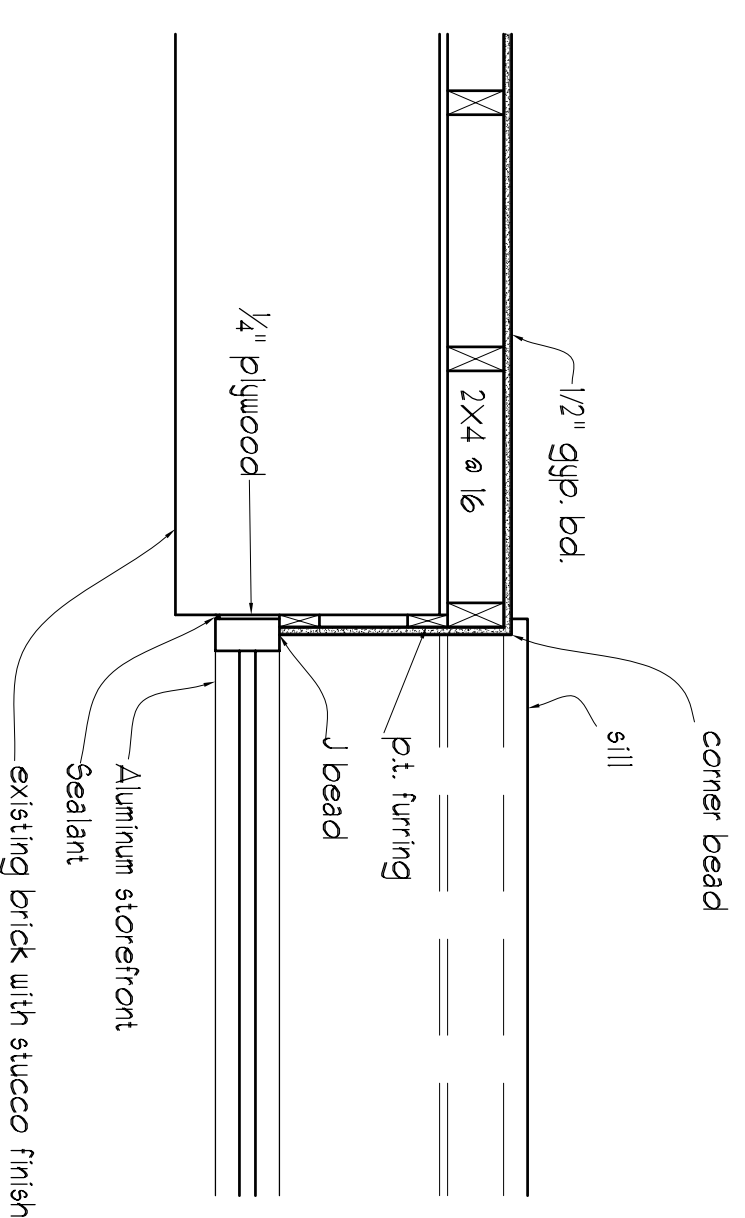
11 COUNTER WITH LIGHT FIXTURE (PRELIMINARY)
3/4" = 1'-0"



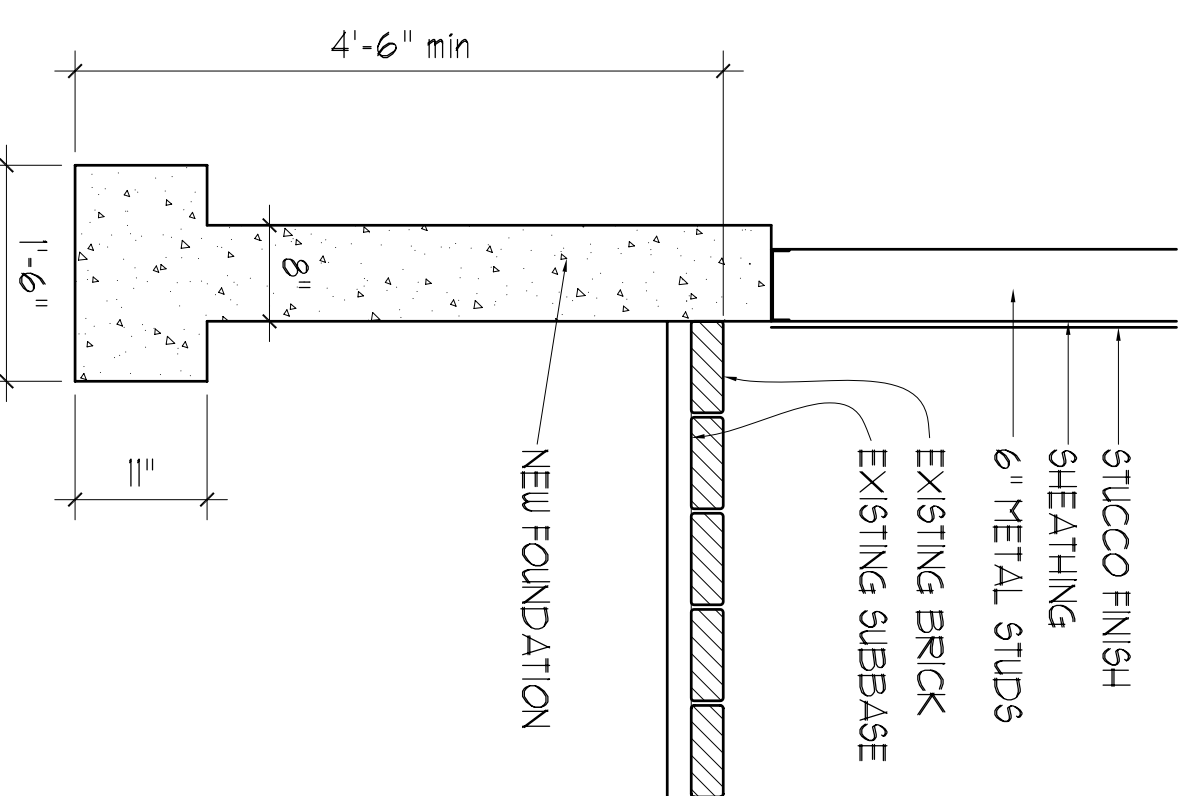
5 DETAIL
1" = 1'-0"



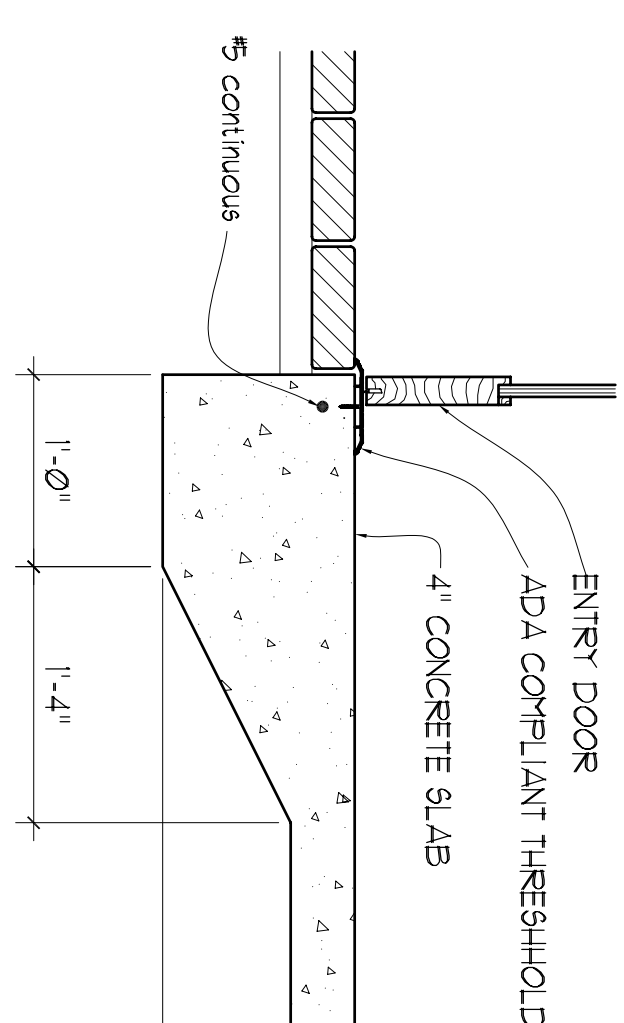
6 DETAIL
1" = 1'-0"



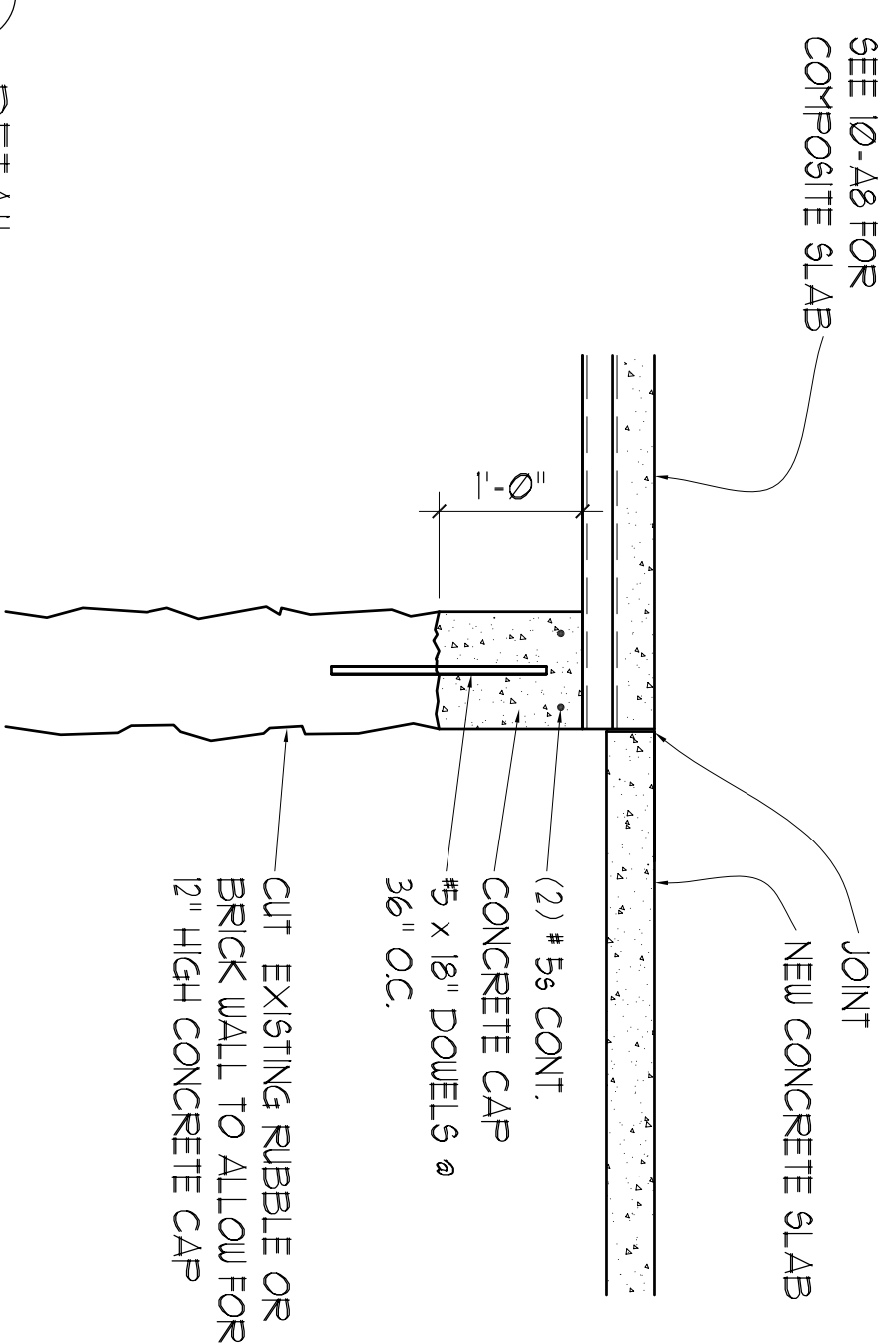
1 DETAIL
1" = 1'-0"



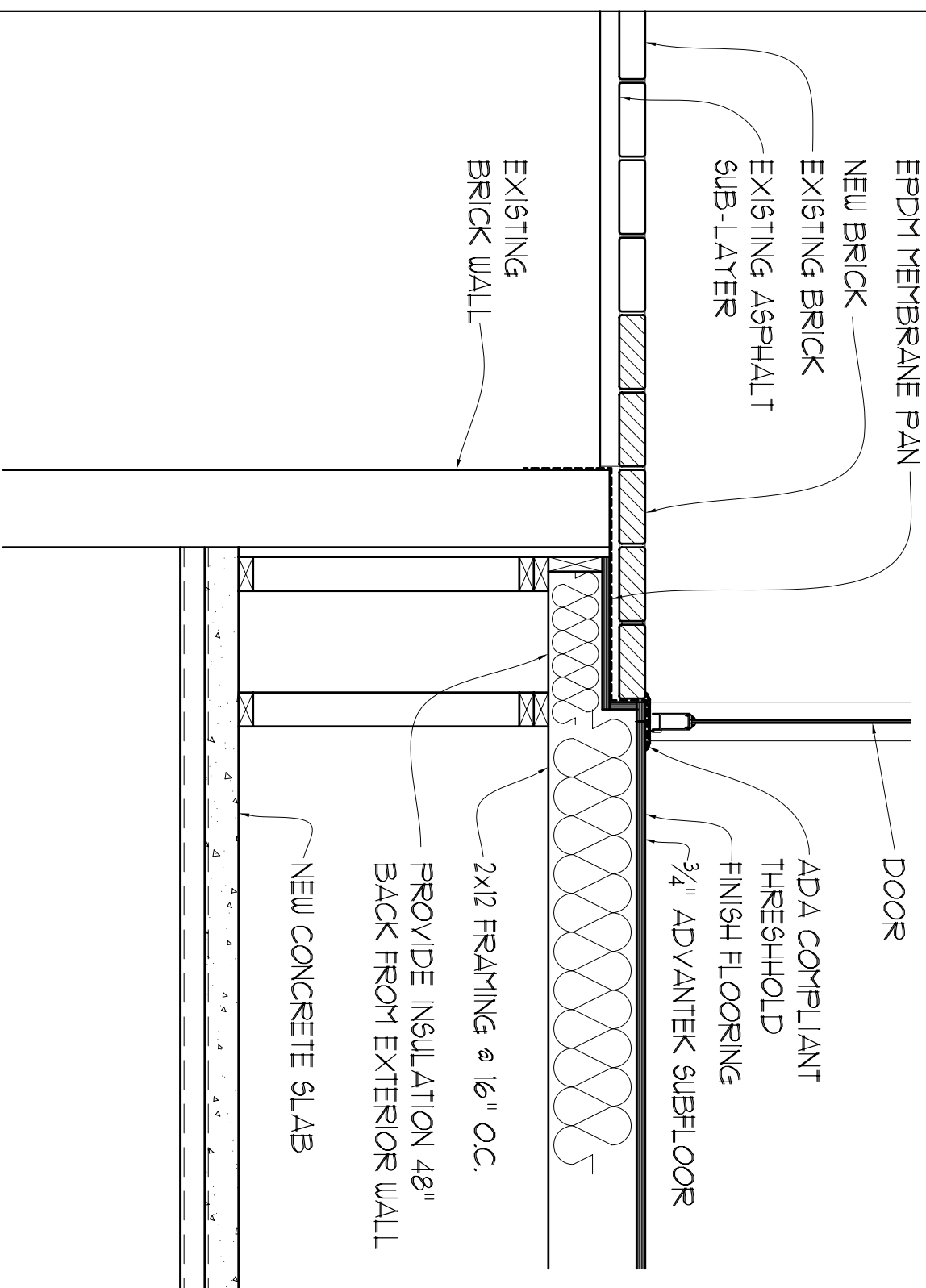
2 DETAIL
3/4" = 1'-0"



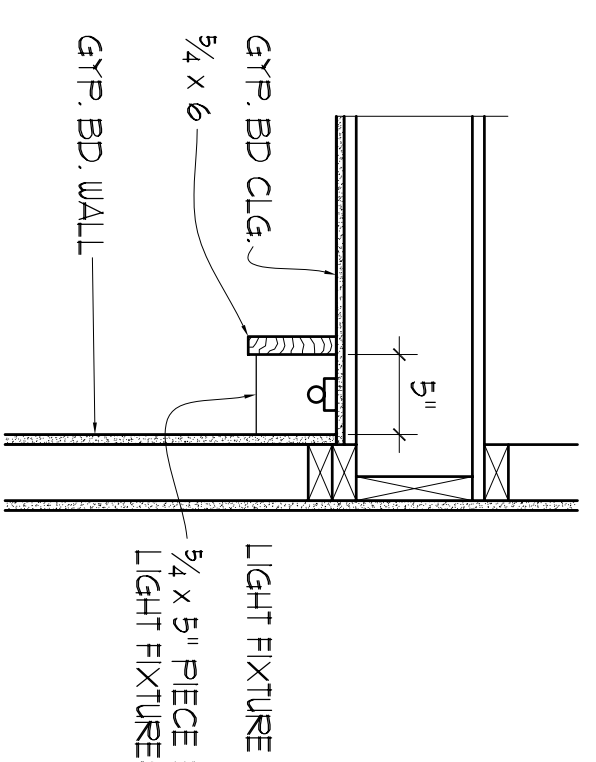
7 DETAIL
1" = 1'-0"



8 DETAIL
3/4" = 1'-0"



3 DETAIL
3/4" = 1'-0"



4 DETAIL BATHROOM SOFFIT
1" = 1'-0"

SUBMITTED FOR PERMIT
Date: 8/5/05
Scale: see drawing
Drawn By:
Revisions:

Checked By:
Date:
Scale:
Drawn By:
Revisions:

ARCHETYPE, P.A. ARCHITECTS
48 Union Wharf Portland, Maine 04101
(207) 772-6022 Fax (207) 772-4056

Project:
551 CONGRESS STREET
551 CONGRESS STREET
PORTLAND, MAINE

Owner:
551 CONGRESS STREET LLC
551 CONGRESS STREET
PORTLAND, MAINE