

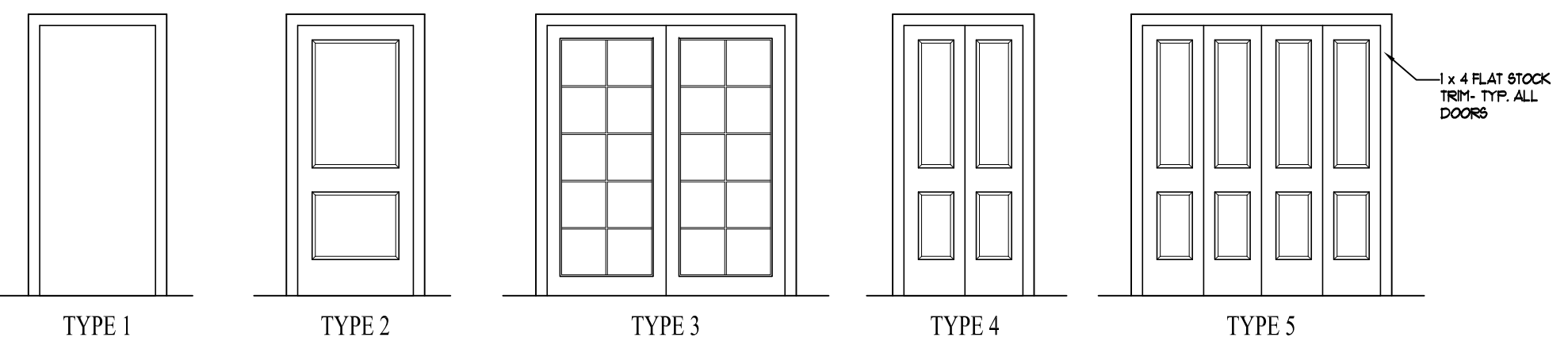
*** FINISH SCHEDULE ***

LOCATION	FLOOR	BASE	WALL	CABINET	COUNTER	CEILING
Entry/Living/Dining/Study Bedrooms	Red Oak Hardwood with clear Poly Finish	6" Painted Wood Base PT-3	PT-1	Maple with flat panel drawers and beadboard doors- see acceptable manufacturers below. Handles to be Amerock BP52992G10 96mm Allison Value pull	Green Butterfly or Tropic Brown	Painted Gypsum Board
Bathrooms	Dal Tile Colorbody Porcelain "Veranda Solids" Leather P506 (6.5" x 20")	Dal Tile Colorbody Cove Base color: Leather P506	PT-2	Maple with flat panel drawers and beadboard doors- see acceptable manufacturers below. Handles to be Amerock BP52992G10 96mm Allison Value pull	Green Butterfly or Tropic Brown	Armstrong Mesa 2' x 2' beveled Regular Ceiling Tiles with Suprafine Suspension System
Mechanical Closets	Mannington Essentials VCT	4" Johnsonite Vinyl Base	PT-1	NA	NA	Painted Gypsum Board
Corridor 01	Shaw Carpet Tile: Float #5944, Color: Mirror #83595, installed 1/4 turn			NA	NA	Armstrong Mesa 2' x 2' beveled Regular Ceiling Tiles with Suprafine Suspension System

NOTES:
 Acceptable Cabinets- Medallion "Laurel Bay" Maple with Sesame Finish, Schrock "Whittaker" Maple with wheat finish or Equal
 PT-1 Benjamin Moore HC-44 Lenox Tan
 PT-2 Benjamin Moore HC-89 Northampton Putty
 PT-3 Benjamin Moore HC-85 Fairview Taupe

*** UNIT DOOR SCHEDULE ***

DOOR No.	LOCATION	DOOR			FINISH	THRESH	FRAME	LABEL	REMARKS	
		Width	Height	Thick						
01	Entry	3'-0"	7'-0"	1-3/4"	1	Wood	Poly	Aluminum	Metal	20 min. Smoke control
02	Inside Unit	2'-6"	7'-0"	1-3/8"	2	H.C. Moulded	Painted		Wood	
03	Inside Unit	3'-0"	7'-0"	1-3/8"	2	H.C. Moulded	Painted		Wood	
04	Study/ Bedroom	(2) 3'-0"	7'-0"	1-3/8"	3	Moulded/ Glass	Painted		Wood	French Door
05	Study/ Bedroom	(2) 2'-6"	7'-0"	1-3/8"	3	Moulded/ Glass	Painted		Wood	French Door
06	Closet	(2) 2'-6"	7'-0"	1-3/8"	2	H.C. Moulded	Painted		Wood	
07	Closet	(2) 3'-0"	7'-0"	1-3/8"	2	H.C. Moulded	Painted		Wood	
08	Closet	(2) 1'-6"	7'-0"	1-3/8"	4	H.C. Moulded	Painted		Wood	Bi Fold
09	Closet	(2) 2'-0"	7'-0"	1-3/8"	2	H.C. Moulded	Painted		Wood	
10	Closet	(2) 2'-6"	7'-0"	1-3/8"	5	H.C. Moulded	Painted		Wood	Bi Fold
11	Closet	(2) 3'-0"	7'-0"	1-3/8"	5	H.C. Moulded	Painted		Wood	Bi Fold
12	Mechanical Closet	2'-6"	7'-0"	1-3/8"	2	H.C. Moulded	Painted		Wood	
13	Closet	1'-6"	7'-0"	1-3/8"	2	H.C. Moulded	Painted		Wood	
14	Mechanical Closet	2'-0"	7'-0"	1-3/8"	2	H.C. Moulded	Painted		Wood	



*** APPLIANCE SCHEDULE ***

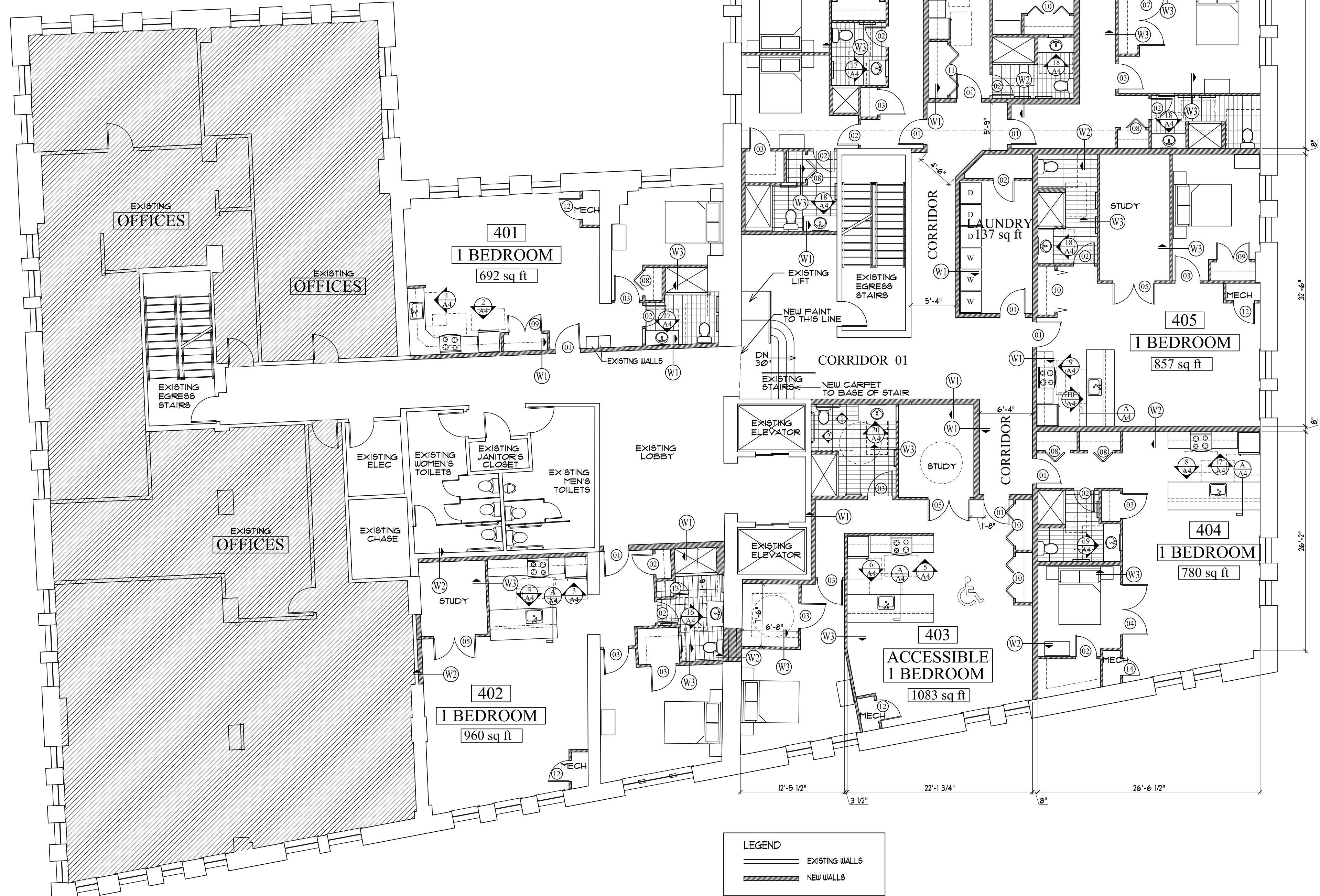
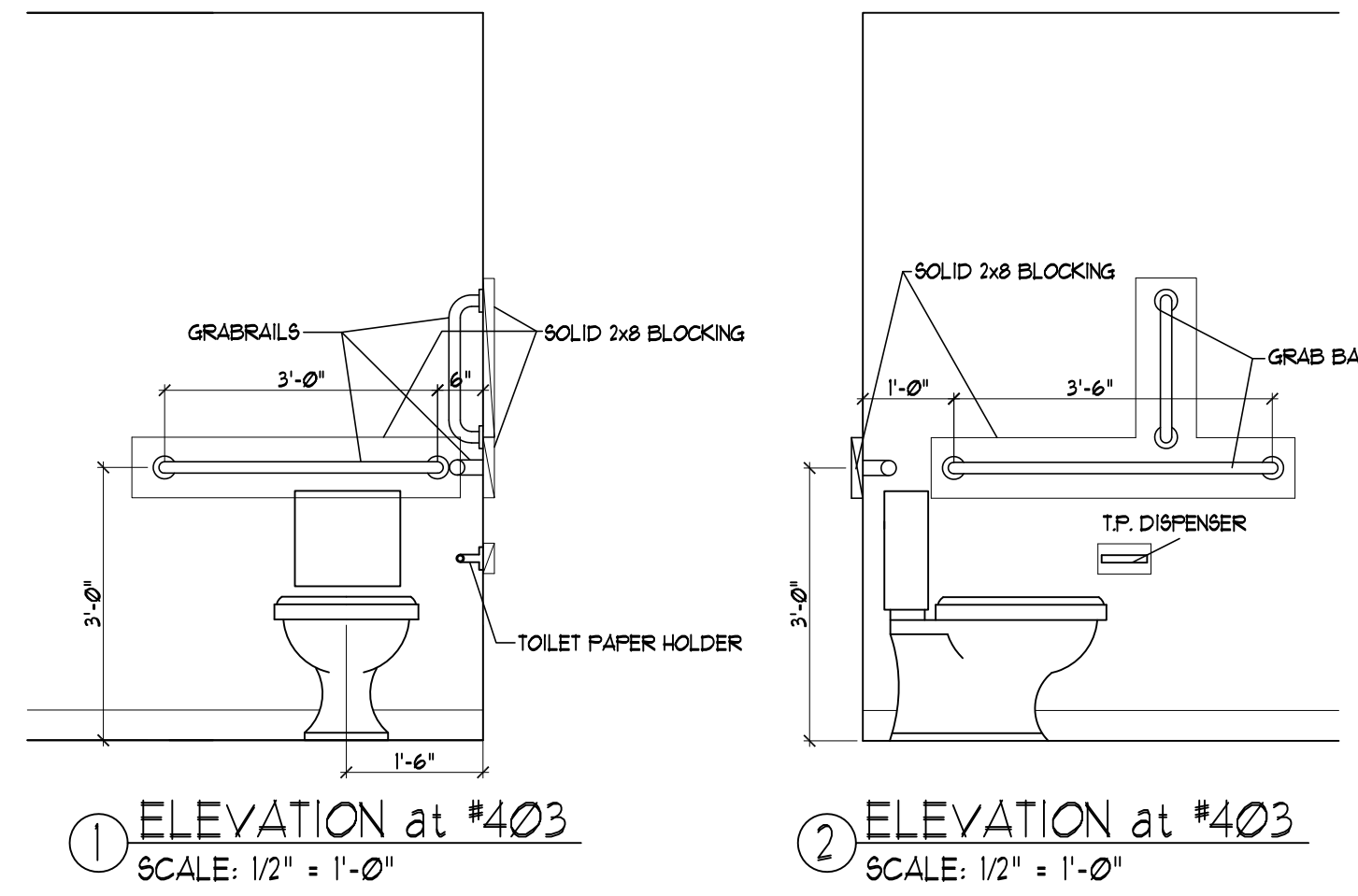
ITEM	MANUFACTURER	MODEL #	DESCRIPTION	FINISH	QUANTITY
Refrigerator	LG	LFX25974ST	3 Door French Door Refrigerator 24.7 cu. ft.	Stainless Steel	8
Range	LG	LRE30453	5.6 cu. ft. Convection Electric Range	Stainless Steel	7
ADA Range- Unit 403 only	GE	JSP42SN	30" ADA Slide in Electric Range	Stainless Steel	1
Microwave	LG	LMHM2017	Over the counter Microwave	Stainless Steel	7
Microwave- Unit 403 Only	LG	LCRT 2010ST	Countertop Microwave- ADA Unit	Stainless Steel	1
Dishwasher	Bosch	SHE55M16UC	Built-in Dishwasher	Stainless Steel	8

*** PLUMBING SCHEDULE ***

ITEM	MANUFACTURER	MODEL #	DESCRIPTION	FINISH	QUANTITY
Toilet	American Standard	2034.014	Champion 4 Elongated Right Height 1 piece Toilet	White	9
ADA Shower	Lasco	6036 CFS	Accessible Shower with grab bars	White	1
36" Shower	Aker by Maax	ACSH-36-141048	Acrylic shower base and surround with seat	White	1
36" Shower Door	Aker by Maax	136450-900-084-105	Kleara 1 Panel Frame-less glass door	Clear/Nickel	1
48" Shower	Aker by Maax	ACSHRS/LS-48 141051-L-001	Acrylic shower base and surround with seat	White	3
48" Shower Door	Aker by Maax	136453-900-084-105	Kleara 2 Panel Frame-less glass door	Clear/Nickel	3
60" Shower	Aker by Maax	ACSHRS/LS-60 141054-L-001	Acrylic shower base and surround with seat	White	5
60" Shower Door	Aker by Maax	136457-900-084-105	Kleara 2 Panel Frame-less glass door	Clear/Nickel	5
Shower Faucet	Delta	T13220	Classic Monitor 13 Series	Chrome	9
Kitchen Sink	Provided by Granite Vendor	NA	Undermount Single Bowl Stainless steel Sink	Stainless Steel	8
Kitchen Faucet	Delta	9159-DST	Trinsic Single Handle Faucet w/ Pull down Sprayer	Chrome	8
Soap Dispenser	Delta	RP1002	Classic Soap/Lotion Dispenser	Chrome	8
Bathroom Sink	Provided by Granite Vendor	NA	Undermount ceramic Sink	White	9
Bathroom Faucet	Delta	585L-F-MPU	Grail single handle lavatory faucet	Chrome	9

*** ACCESSORY SCHEDULE ***

ITEM	MANUFACTURER	MODEL #	DESCRIPTION	FINISH	QUANTITY
Toilet Paper Holder	Delta	133051	Southampton Toilet Paper Holder	Chrome	9
Towel Bar	Delta	133049	Southampton 24" Towel bar	Chrome	18
Hand Towel Holder	Delta	133052	Southampton Towel Ring	Chrome	9
Robe Hooks	Delta	133053	Southampton Double Robe Hook	Chrome	10
Recessed Medicine Cabinet A	NuTone	530924	Mirrored Recessed Medicine Cabinet	-	3
Recessed Medicine Cabinet B	NuTone	622	Basic hide-away	-	6
Surface Mount Mirror	American Specialties	20650	24" x 36" mirror	Stainless Steel	6
Grab Bars	Bobrick	B-5806 Series	Stainless steel 1-3/4" dia. length as shown on drawing	Stainless Steel	per drawings



Owner:

Consulting Engineer:

ARCHETYPE
 architects
 48 Union Wharf Portland, Maine 04101
 (207) 772-6022 Fax (207) 772-4056

Project:
J.B. BROWN BUILDING
 537 CONGRESS STREET
 PORTLAND, ME

Revisions:

Date: 22 November 2011
 Scale: 1/8" = 1'-0"
FOURTH FLOOR PLAN