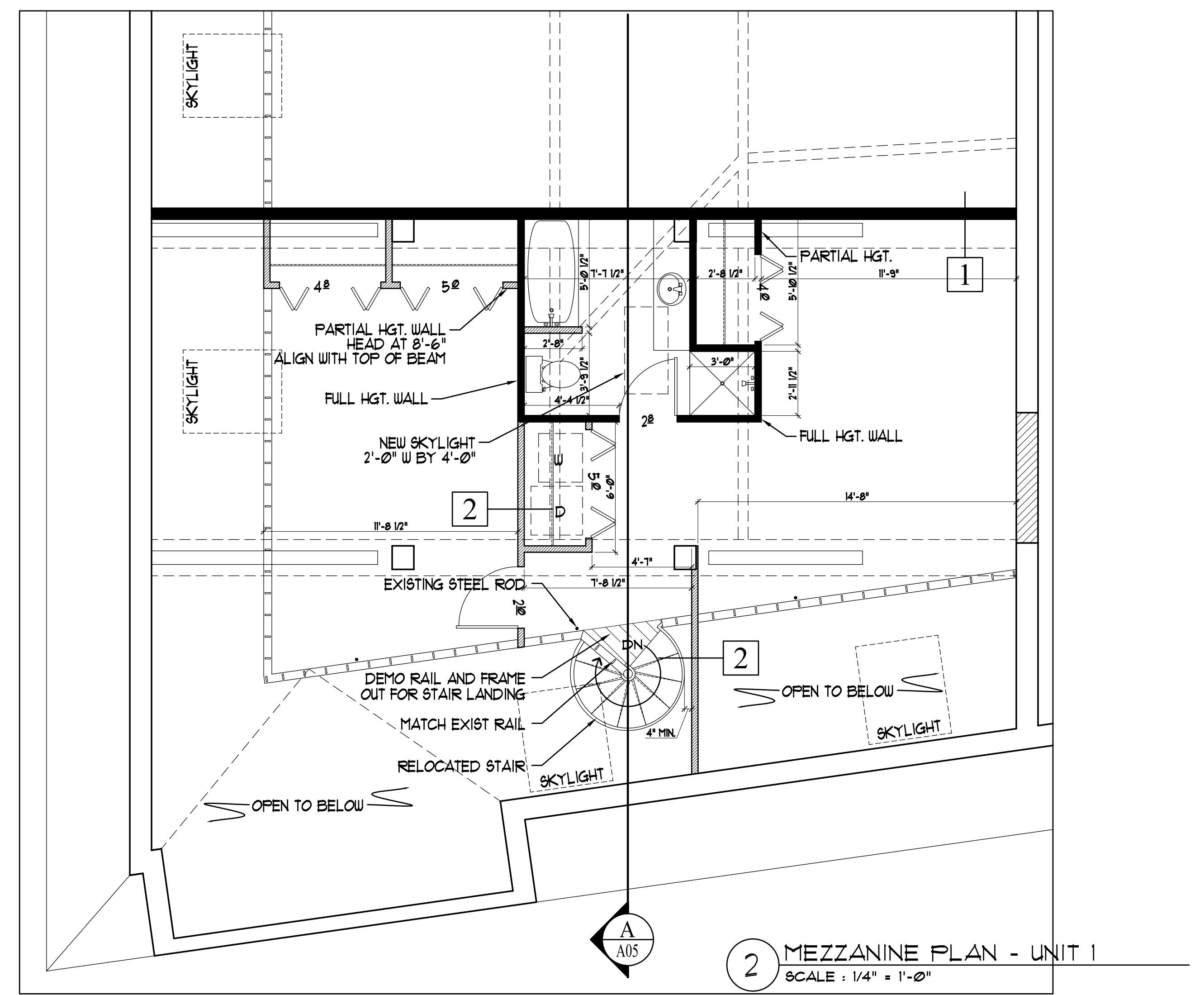
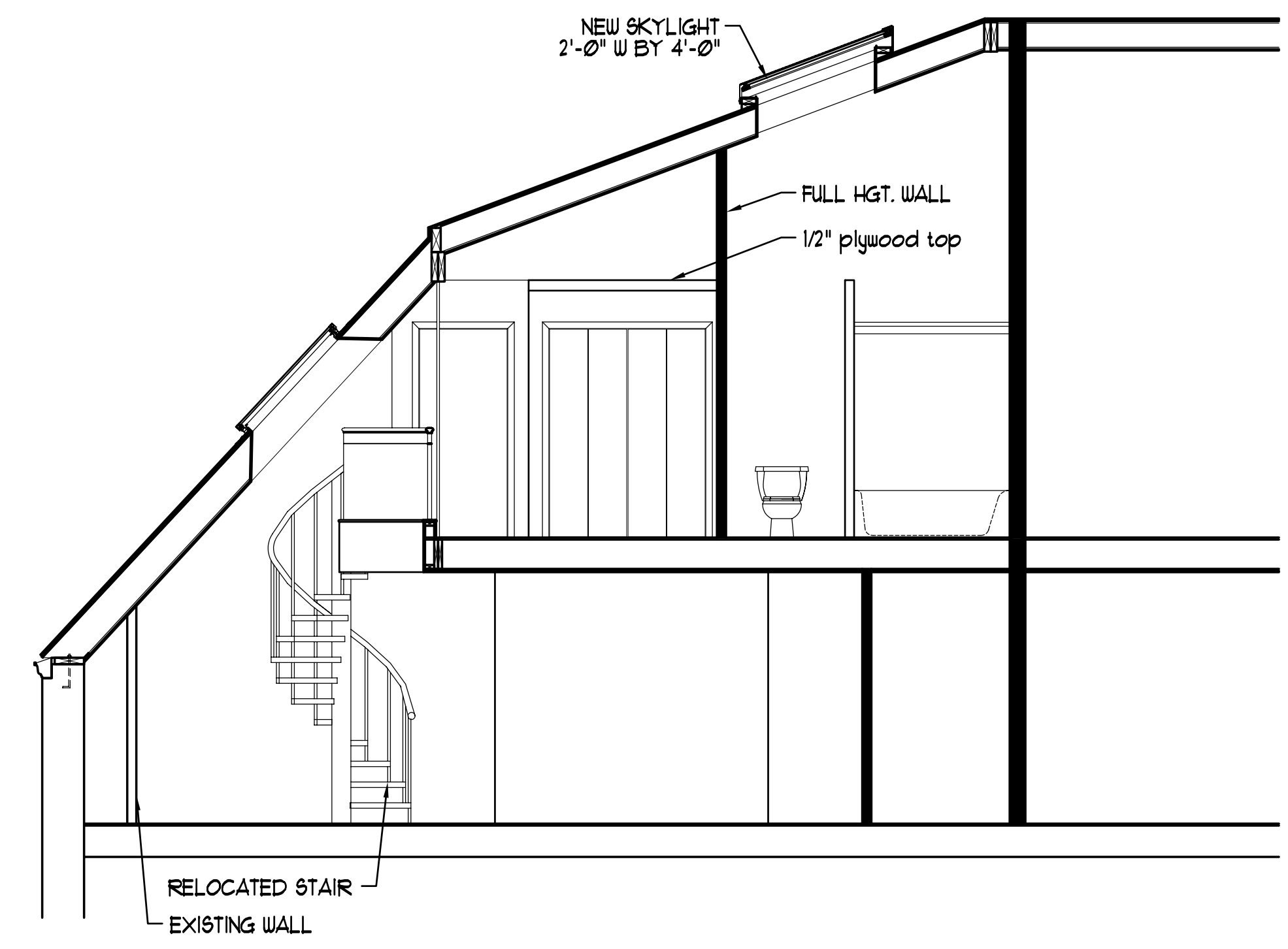


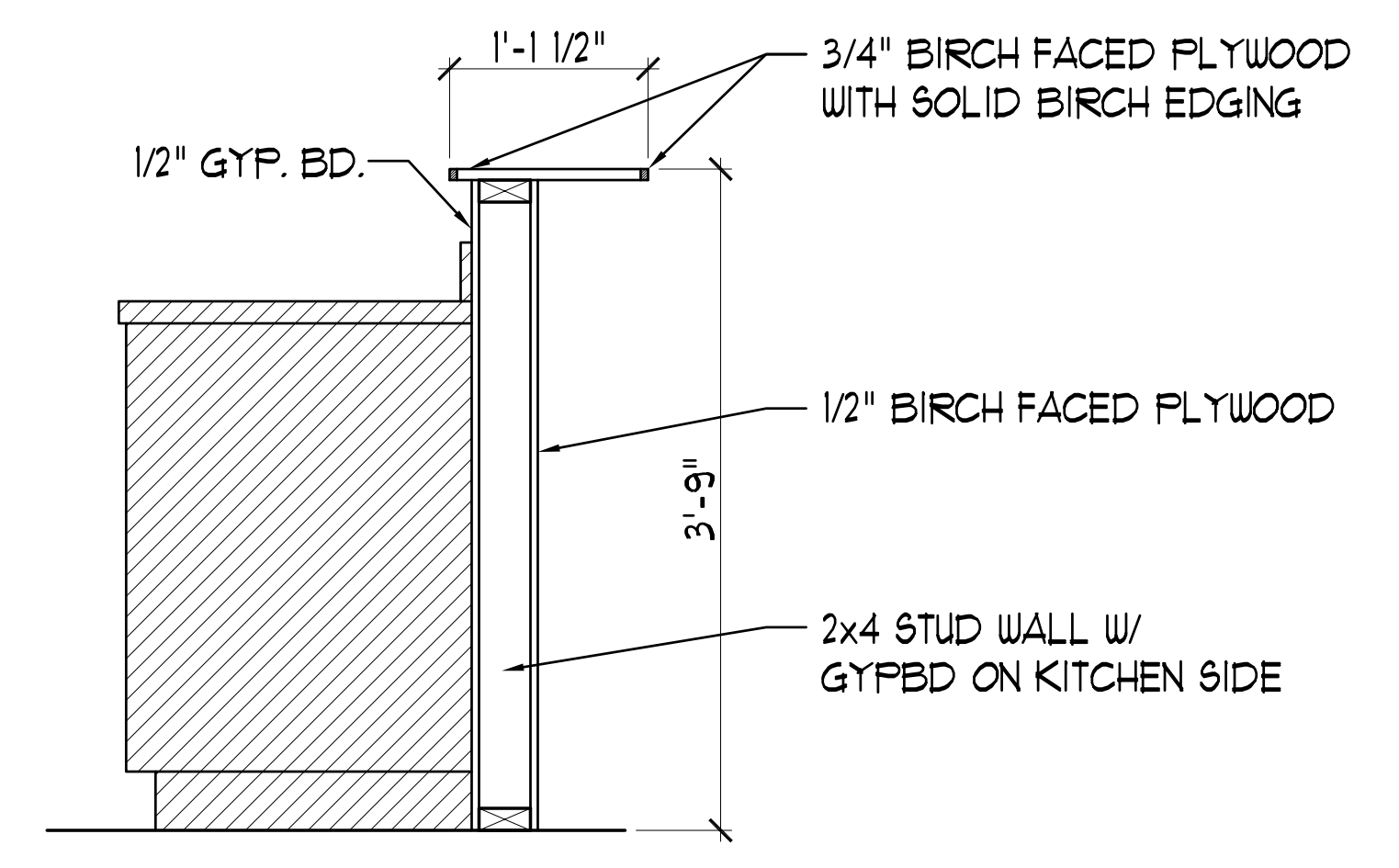
1 FIFTH FLOOR PLAN - UNIT 1  
SCALE: 1/4" = 1'-0"



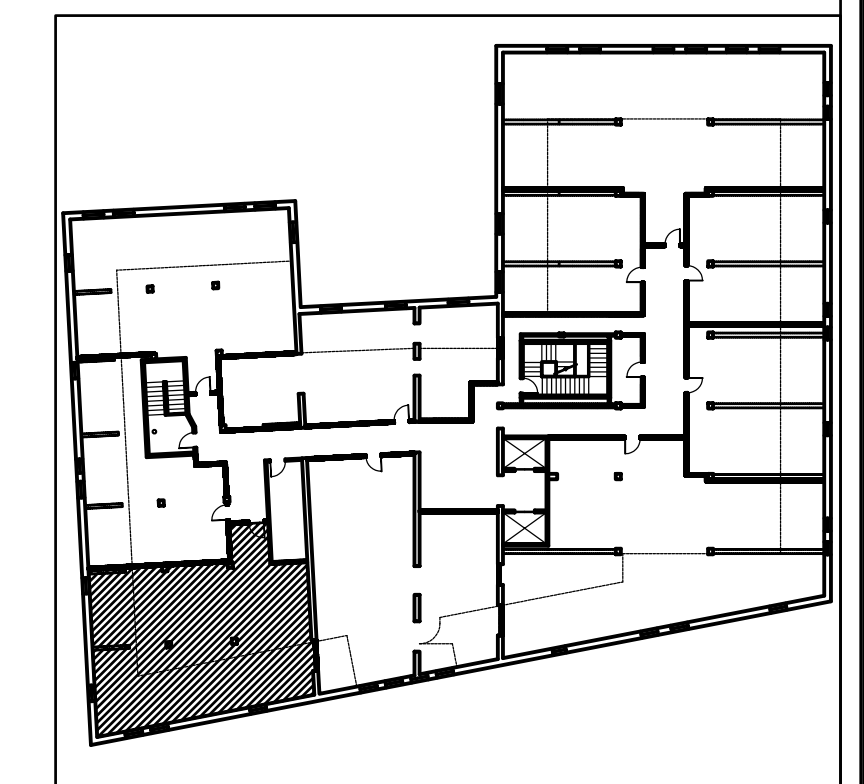
2 MEZZANINE PLAN - UNIT 1  
SCALE: 1/4" = 1'-0"



A SECTION - UNIT 3  
SCALE: 1/4" = 1'-0"



B DETAIL SECTION  
SCALE: 1" = 1'-0"



KEY PLAN

OWNER: HEGA Realty Trust Dirigo Management Company One City Center Portland, Maine 04101	
ARCHETYPE, P.A. ARCHITECTS 48 Union Wharf Portland, Maine 04101 (207) 772-0022 Fax (207) 772-4056	
Date 20 September 2005	Scale 1/4" = 1'-0"
Revisions: Issued for Permit 11-15-05	
UNIT 3 - FLOOR PLANS	Project: 537 LOFTS 537 CONGRESS STREET PORTLAND, MAINE
A05	