

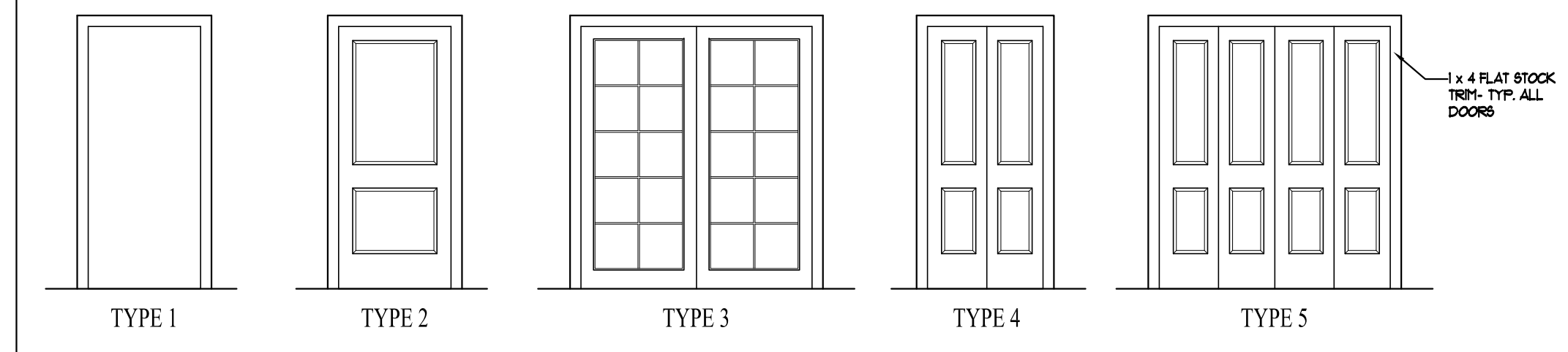
* FINISH SCHEDULE *

LOCATION	FLOOR	BASE	WALL	CABINET	COUNTER	CEILING
Entry/Living/Dining/Study/Bedrooms	Armstrong 5" Beekford Plank - Harvest Oak BP441HOLGY	6" Painted Wood Base PT-3	PT-1	Maple with flat panel drawers and beadboard doors- see acceptable manufacturers below. Handles to be Amerock BP52992G10 96mm Allison Value pull	Green Butterfly or Tropic Brown	Painted Gypsum Board
Bathrooms	Dal Tile Colorbody Porcelain "Veranda Solids" Leather P506 (6.5" x 20")	Dal Tile Colorbody Cove Base color: Leather P506	PT-2	Maple with flat panel drawers and beadboard doors- see acceptable manufacturers below. Handles to be Amerock BP52992G10 96mm Allison Value pull	Green Butterfly or Tropic Brown	Armstrong Mesa 2' x 2' beveled Regular Ceiling Tiles with Suprafine Suspension System
Mechanical Closets	Mamington Essentials VCT	4" Johnsonite Vinyl Base	PT-1	NA	NA	Painted Gypsum Board
Corridor 31 & 32	Shaw Carpet Tile: Float #59484, Color: Mirror #83595 installed 1/4 turn	NA	NA	NA	NA	Armstrong Mesa 2' x 2' beveled Regular Ceiling Tiles with Suprafine Suspension System
Corridor 33	Shaw Carpet Tile: Float #59484, Color: Mirror #83595 installed 1/4 turn	NA	NA	NA	NA	Existing Ceilings Remain

NOTES:
Acceptable Cabinets- Medallion "Laurel Bay" Maple with Sesame Finish, Schrock "Whittaker" Maple with wheat finish or Equal
PT-1 Benjamin Moore HC-44 Lenox Tan
PT-2 Benjamin Moore HC-89 Northampton Putty
PT-3 Benjamin Moore HC-85 Fairview Taupe

* UNIT DOOR SCHEDULE *

DOOR No.	LOCATION	DOOR			DOOR		FINISH	THRESH	FRAME	LABEL	REMARKS
		Width	Height	Thick	Type	Material					
01	Entry	3'-0"	7'-0"	1-3/4"	1	Wood	Poly	Aluminum	Metal	20 min.	Smoke control
02	Inside Unit	2'-6"	7'-0"	1-3/8"	2	H.C. Moulded	Painted		Wood		
03	Inside Unit	3'-0"	7'-0"	1-3/8"	2	H.C. Moulded	Painted		Wood		
04	Study/ Bedroom	(2) 3'-0"	7'-0"	1-3/8"	3	Moulded/ Glass	Painted		Wood		French Door
05	Study/ Bedroom	(2) 2'-6"	7'-0"	1-3/8"	3	Moulded/ Glass	Painted		Wood		French Door
06	Closet	(2) 2'-6"	7'-0"	1-3/8"	2	H.C. Moulded	Painted		Wood		
07	Closet	(2) 3'-0"	7'-0"	1-3/8"	2	H.C. Moulded	Painted		Wood		
08	Closet	(2) 1'-6"	7'-0"	1-3/8"	4	H.C. Moulded	Painted		Wood		Bi Fold
09	Closet	(2) 2'-0"	7'-0"	1-3/8"	4	H.C. Moulded	Painted		Wood		Bi Fold
10	Closet	(2) 2'-6"	7'-0"	1-3/8"	5	H.C. Moulded	Painted		Wood		Bi Fold
11	Closet	(2) 3'-0"	7'-0"	1-3/8"	5	H.C. Moulded	Painted		Wood		Bi Fold
12	Mechanical Closet	2'-6"	7'-0"	1-3/8"	2	H.C. Moulded	Painted		Wood		
13	Closet	1'-6"	7'-0"	1-3/8"	2	H.C. Moulded	Painted		Wood		
14	Mechanical Closet	2'-0"	7'-0"	1-3/8"	2	H.C. Moulded	Painted		Wood		
15	Corridor	3'-0"	7'-0"	1-3/4"	1	Metal	Painted		Metal	1 Hour	



* APPLIANCE SCHEDULE *

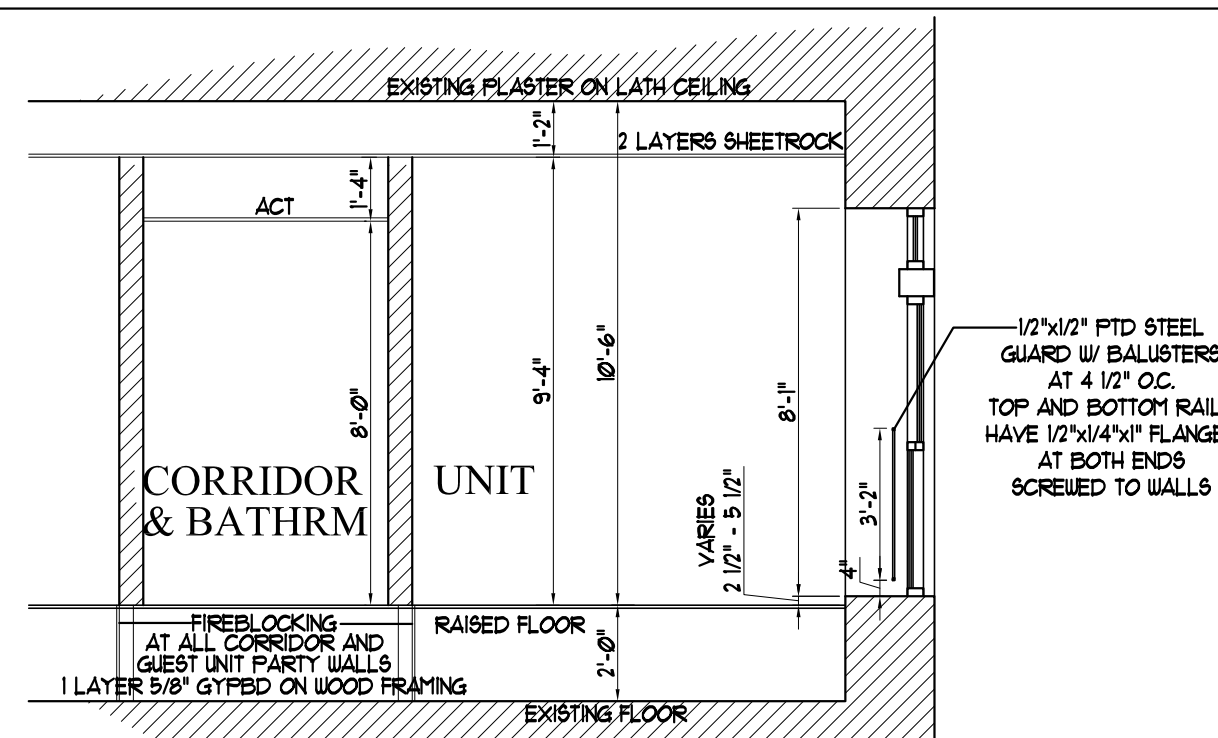
ITEM	MANUFACTURER	MODEL #	DESCRIPTION	FINISH	QUANTITY
Refrigerator	LG	LFX25974ST	3 Door French Door Refrigerator 24.7 cu. ft.	Stainless Steel	8
Range	LG	LRE30453	5.6 cu. ft. Convection Electric Range	Stainless Steel	7
ADA Range- Unit 403 only	GE	JSP42SN	30" ADA Slide in Electric Range	Stainless Steel	1
Microwave	LG	LMHM2017	Over the counter Microwave	Stainless Steel	7
Microwave- Unit 403 Only	LG	LCRT 2010ST	Countertop Microwave- ADA Unit	Stainless Steel	1
Dishwasher	Bosch	SHE55M16UC	Built-in Dishwasher	Stainless Steel	8

* PLUMBING SCHEDULE *

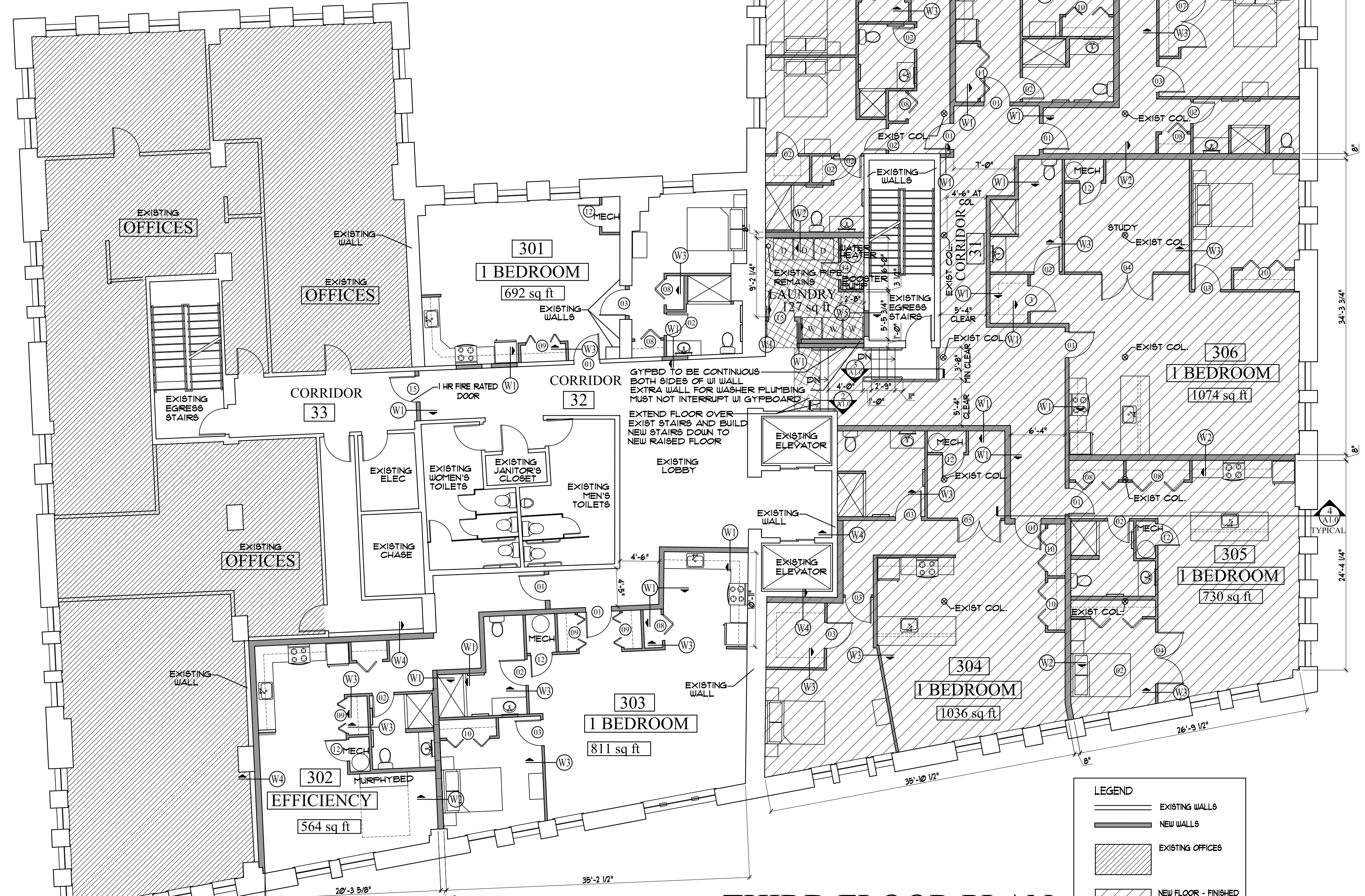
ITEM	MANUFACTURER	MODEL #	DESCRIPTION	FINISH	QUANTITY
Toilet	American Standard	2034.014	Champion 4 Elongated Right Height 1 piece Toilet	White	9
ADA Shower	Lasco	6036 CFS	Accessible Shower with grab bars	White	1
36" Shower	Aker by Maax	ACSH-36-141048	Acrylic shower base and surround with seat	White	1
36" Shower Door	Aker by Maax	136450-900-084-105	Kleara 1 Panel Frame-less glass door	Clear/Nickel	1
48" Shower	Aker by Maax	ACSHRS/LS/NS-48 141051-L-001	Acrylic shower base and surround with seat	White	3
48" Shower Door	Aker by Maax	136453-900-084-105	Kleara 2 Panel Frame-less glass door	Clear/Nickel	3
60" Shower	Aker by Maax	ACSHRS/LS/NS-60 141054-L-001	Acrylic shower base and surround with seat	White	5
60" Shower Door	Aker by Maax	136457-900-084-105	Kleara 2 Panel Frame-less glass door	Clear/Nickel	5
Shower Faucet	Delta	T13220	Classic Monitor 13 Series	Chrome	9
Kitchen Sink	Provided by Granite Vendor	NA	Undermount Single Bowl Stainless steel Sink	Stainless Steel	8
Kitchen Faucet	Delta	9159-DST	Trinsic Single Handle Faucet w/ Pull down Sprayer	Chrome	8
Soap Dispenser	Delta	RP1002	Classic Soap/Lotion Dispenser	Chrome	8
Bathroom Sink	Provided by Granite Vendor	NA	Undermount ceramic Sink	White	9
Bathroom Faucet	Delta	585LF-MPU	Grail single handle lavatory faucet	Chrome	9

* ACCESSORY SCHEDULE *

ITEM	MANUFACTURER	MODEL #	DESCRIPTION	FINISH	QUANTITY
Toilet Paper Holder	Delta	133051	Southampton Toilet Paper Holder	Chrome	9
Towel Bar	Delta	133049	Southampton 24" Towel bar	Chrome	18
Hand Towel Holder	Delta	133052	Southampton Towel Ring	Chrome	9
Robe Hooks	Delta	133053	Southampton Double Robe Hook	Chrome	10
Recessed Medicine Cabinet A	NuTone	530924	Mirrored Recessed Medicine Cabinet	-	3
Recessed Medicine Cabinet B	NuTone	622	Basic hide-away	-	6
Surface Mount Mirror	American Specialties	20650	24" x 36" mirror	Stainless Steel	6
Grab Bars	Bobrick	B-5806 Series	Stainless steel 1-3/4" dia. length as shown on drawing	Stainless Steel	per drawings

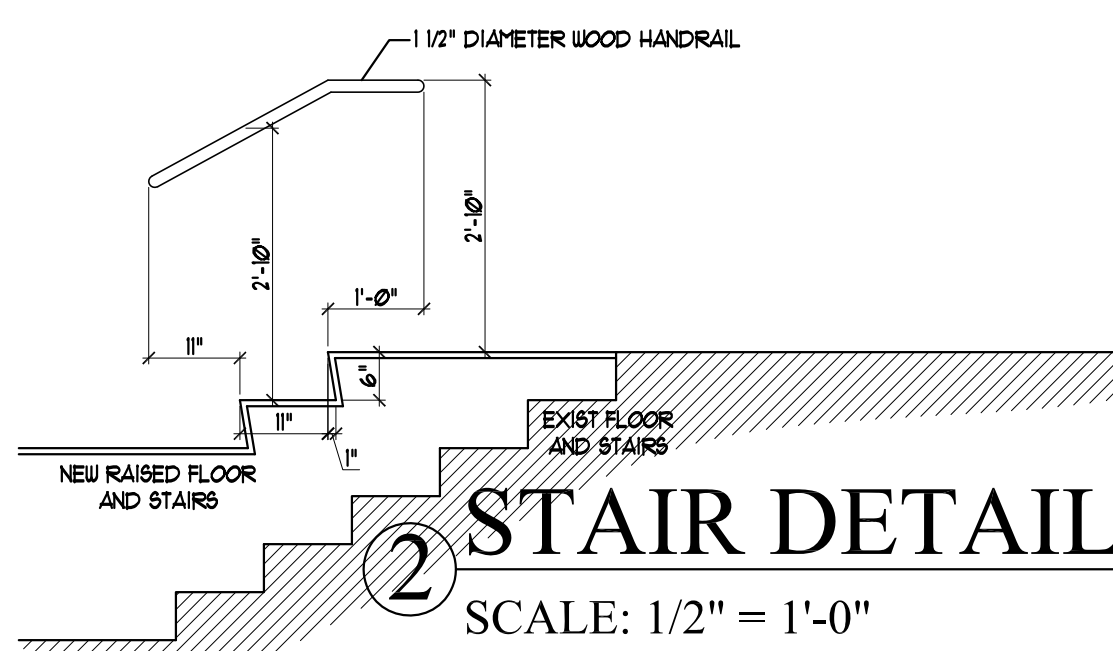


4 TYPICAL SECTION AT RAISED FLOOR
SCALE: 1/4" = 1'-0"

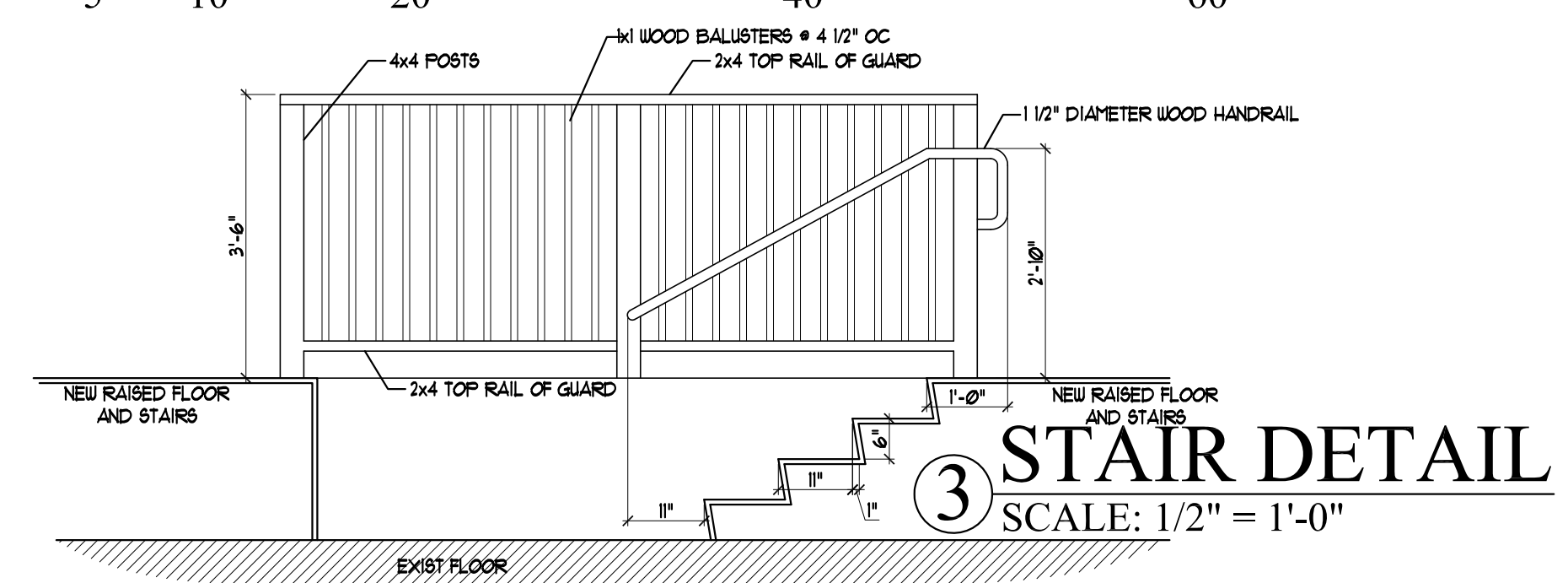


1 THIRD FLOOR PLAN
SCALE: 1/8" = 1'-0"

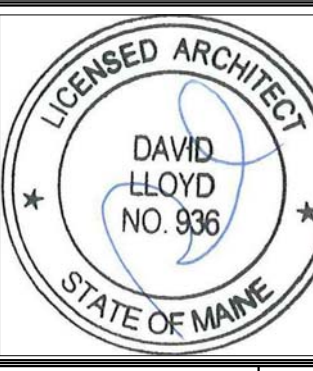
LEGEND	
[Solid line]	EXISTING WALLS
[Dashed line]	NEW WALLS
[Hatched pattern]	EXISTING OFFICES
[Diagonal hatched pattern]	NEW FLOOR - FINISHED NEW FLOOR 2'-0" ABOVE EXISTING FLOOR - SEE STRUCTURAL DETAILS ON DIG 91 FOR FRAMING
[Cross-hatched pattern]	NEW FLOOR - FINISHED NEW FLOOR TO BE LEVEL WITH ELEVATOR LOBBY FLOOR



2 STAIR DETAIL
SCALE: 1/2" = 1'-0"



3 STAIR DETAIL
SCALE: 1/2" = 1'-0"



Owner:

Consulting Engineer:



Architect:

J.B. BROWN BUILDING
537 CONGRESS STREET
PORTLAND, ME

Project:

Revisions:

Scale: 1/8" = 1'-0"

Date: 16 April 2013

THIRD FLOOR PLAN & SCHEDULES

A1.0