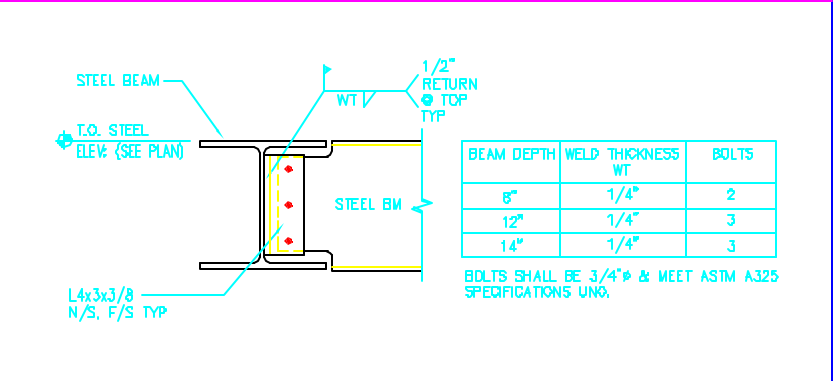
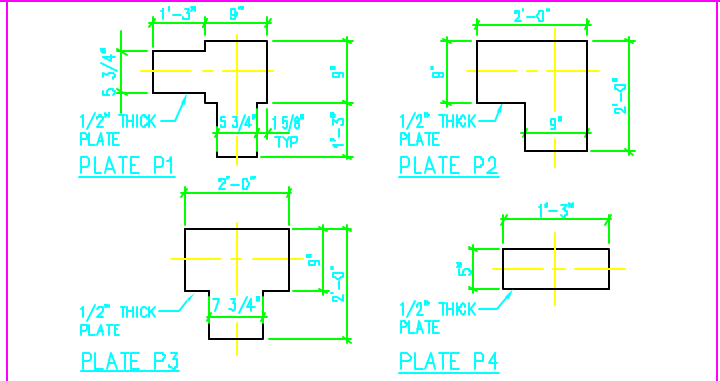
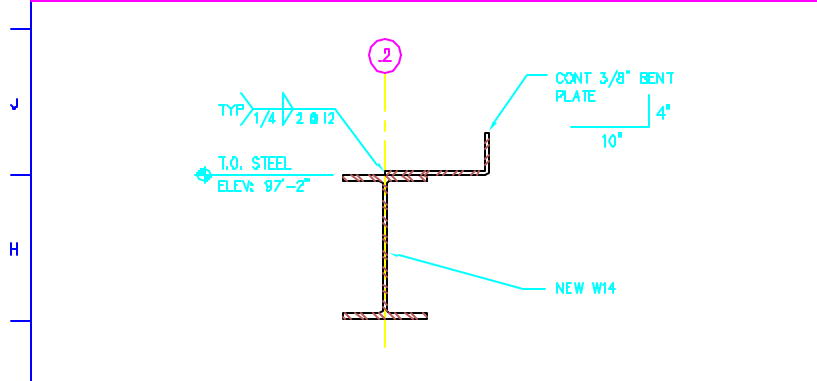
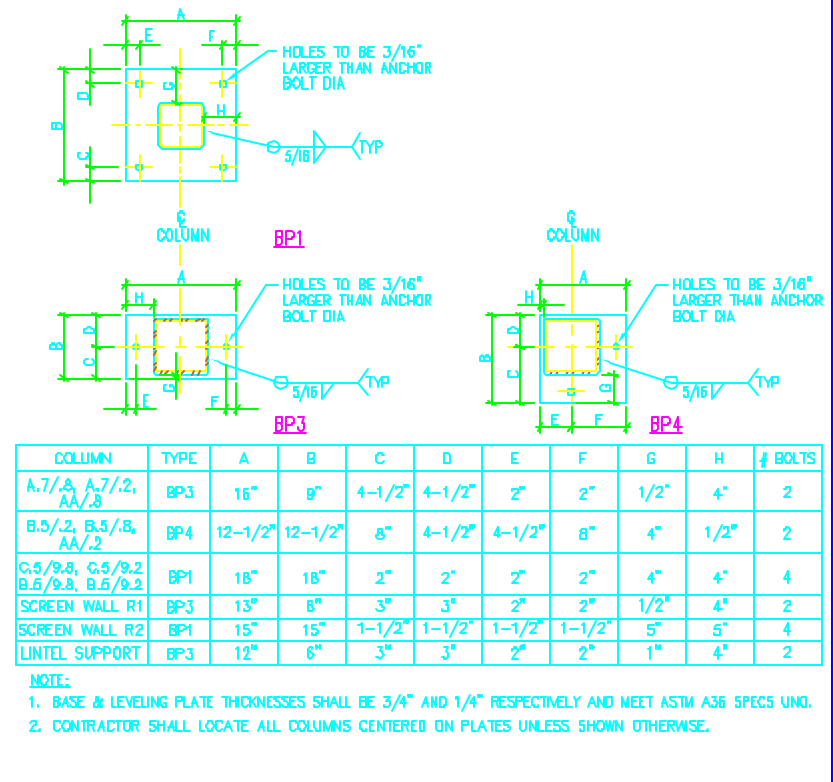
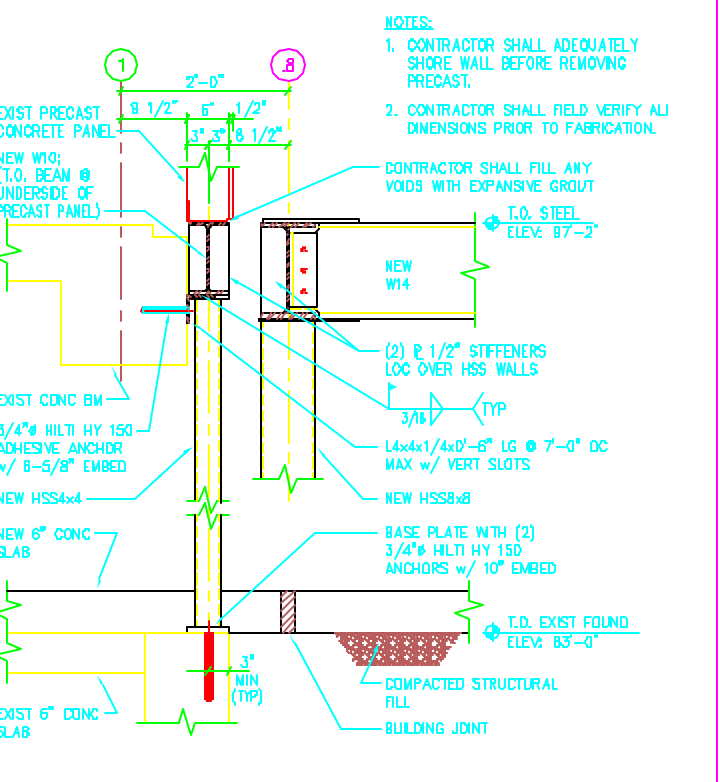
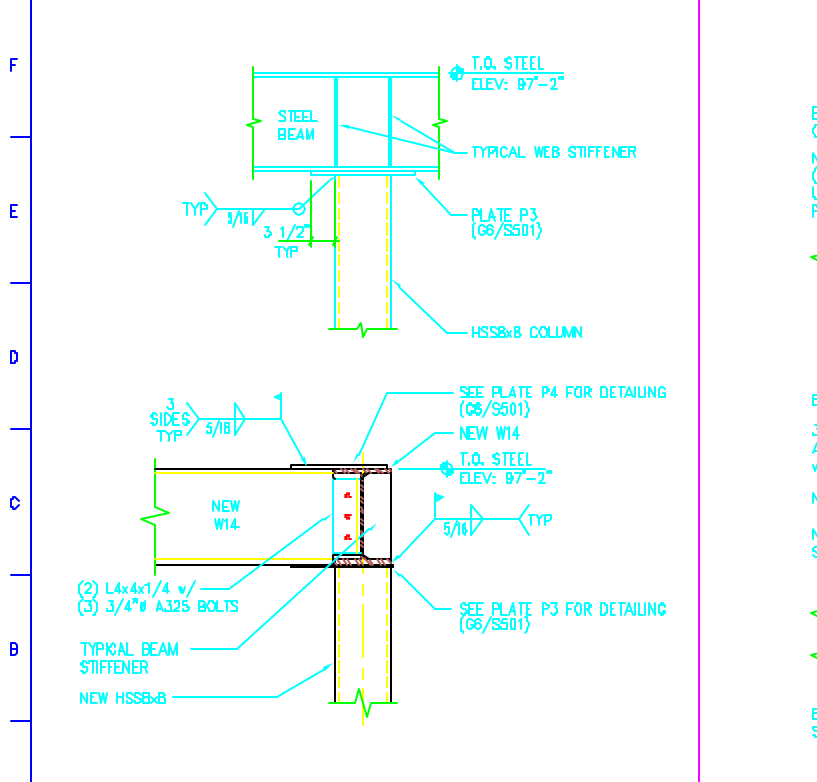


K1	TYP W14 BEAM SPLICE DTL	K5	TYP WEB STIFFENER DETAIL	K9	TYP BEAM TO HSS COL FRAME CONNECTION
1'-1'-0"	A1/S201	1 1/2'-1'-0"	A1/S201	1'-1'-0"	A1/S201
CTL-BWMS		CTL-TSTN		CTL-STWC	



G1	BENT PLATE TO BM DTL AT COL LINE .2	G6	COLUMN PLATE DTLs	G10	TYP BEAM TO BEAM CON
1 1/2'-1'-0"	A1/S201	1'-1'-0"	A1/S501, K10/S501	1 1/2'-1'-0"	A1/S201
CTL-BWMS		CTL-SCNP		CTL-TBTB	



A1	CANT BM TO HSS COL FRAME DTL	A5	PRECAST LINTEL DTL (COL LINE A TO A.7)	A10	COLUMN BASE PLATE DTLs
1'-1'-0"	A1/S201	1'-1'-0"	A1/S201	1'-1'-0"	S201
CTL-SCNR		CTL-SLTL		CTL-BPS	

P:\2001\5501001.D0\Tbk\H\FRAME.dwg

0	FOR CONSTRUCTION	7/13/01
no.	revisions/submissions	date

Einhorn Yaffee Prescott ARCHITECTURE & ENGINEERING, P.C.
 77.388-1884
 10000 Rte. 1, Portland, ME 04106

CommTel Data Center
 380 Cumberland Avenue
 Portland, Maine

drawing title

designed by	IF	project no.	5501001.D0
drawn by	RT	CAD file no.	CTL-S501.DWG
checked by	SB	drawing no.	S501
date	07/13/01		
scale	AS NOTED		