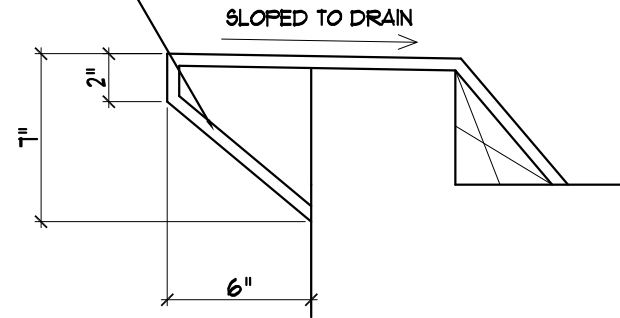
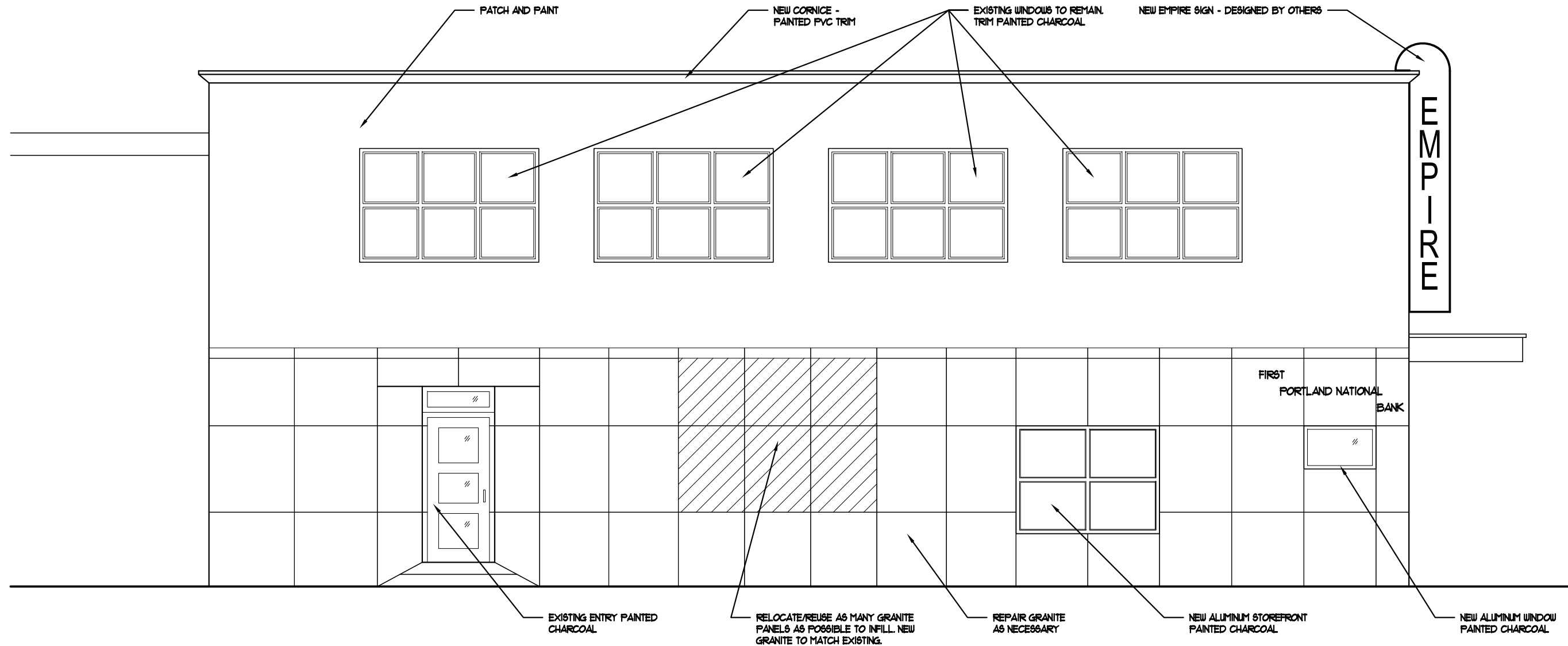


NEW CORNICE - PTD PVC TRIM



2 TYPICAL CORNICE DETAIL
SCALE: 1 1/2"=1'-0"



1 PROPOSED WEST ELEVATION
SCALE: 3/16"=1'-0"