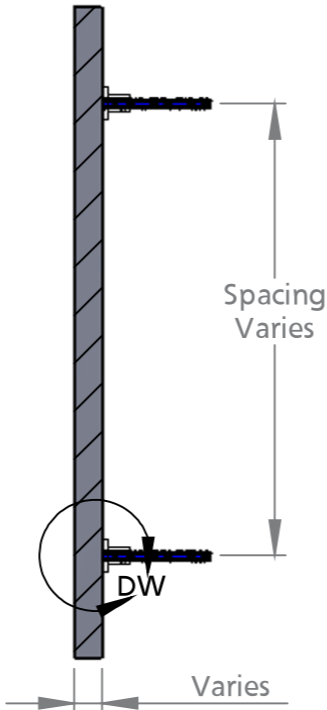
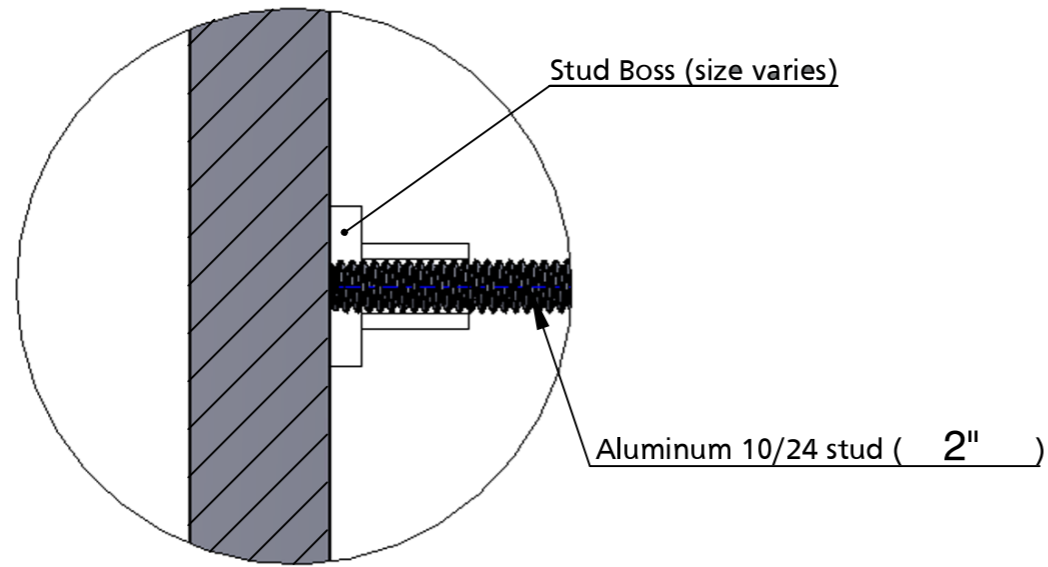


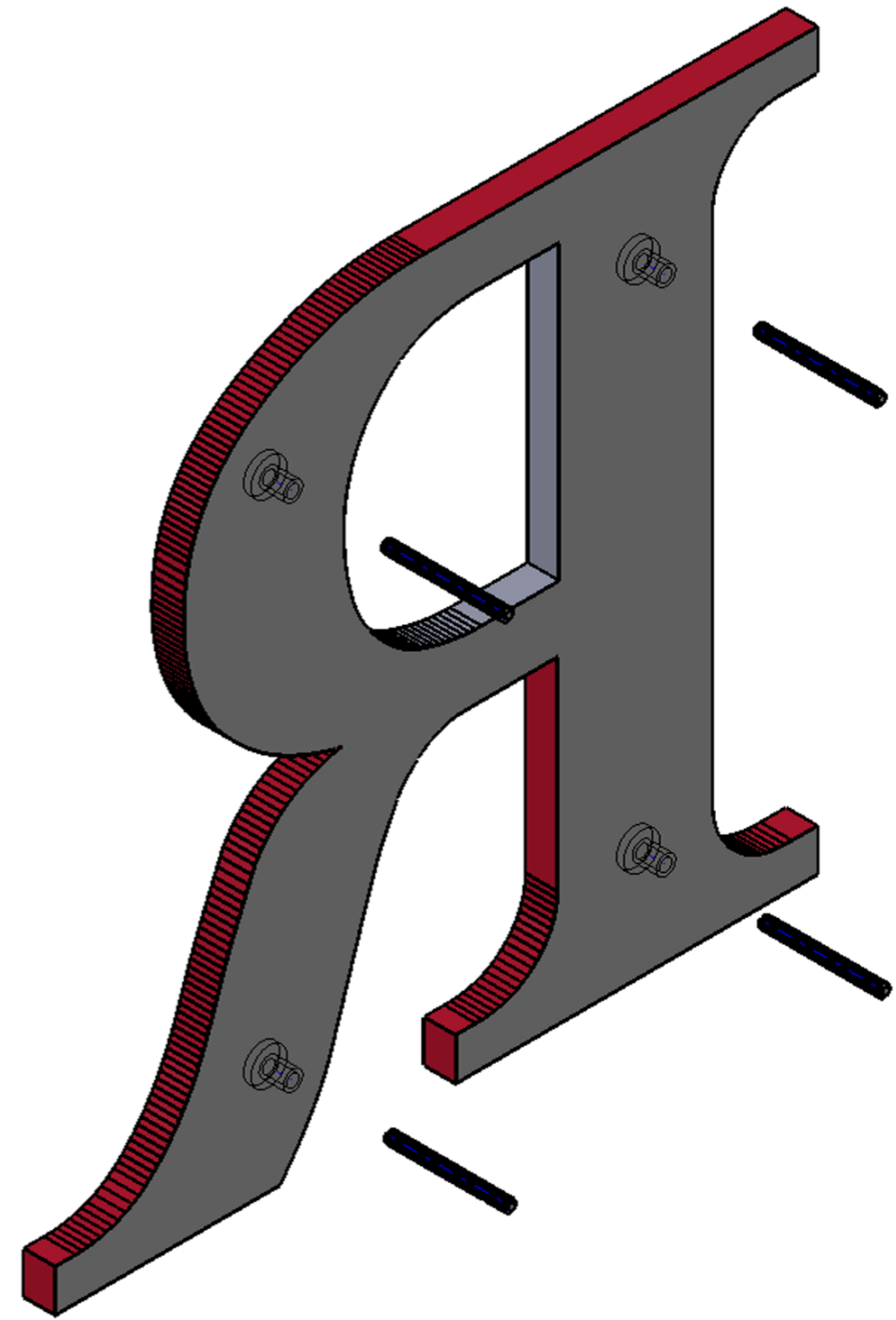
FRONT VIEW II SCALE 1:5



SECTION VIEW A-A II SCALE 1:5



DETAIL DW II SCALE 1:1



ISOMETRIC BACK VIEW II SCALE 1:3

INSTALLATION METOD - STUD MOUNT W/
SILICONE ADHESIVE

TITLE: LASER CUT ACRYLIC - STUD MOUNT			
MATERIAL: PLASTIC		PRODUCT TYPE: PLASTIC LETTERS	