

4" CONC SLAB ON GRADE
 W/4x4-W2.9xW2.9 WWF
 T/SLAB EL 105'-2" @H.P.

ELECTRIC BOX

FOUNDATION PLAN

1/8"=1'-0"

NOTES:

- (XX'-XX") INDICATES TOP OF FOOTING ELE



BECKER
 STRUCTURAL ENGINEERS

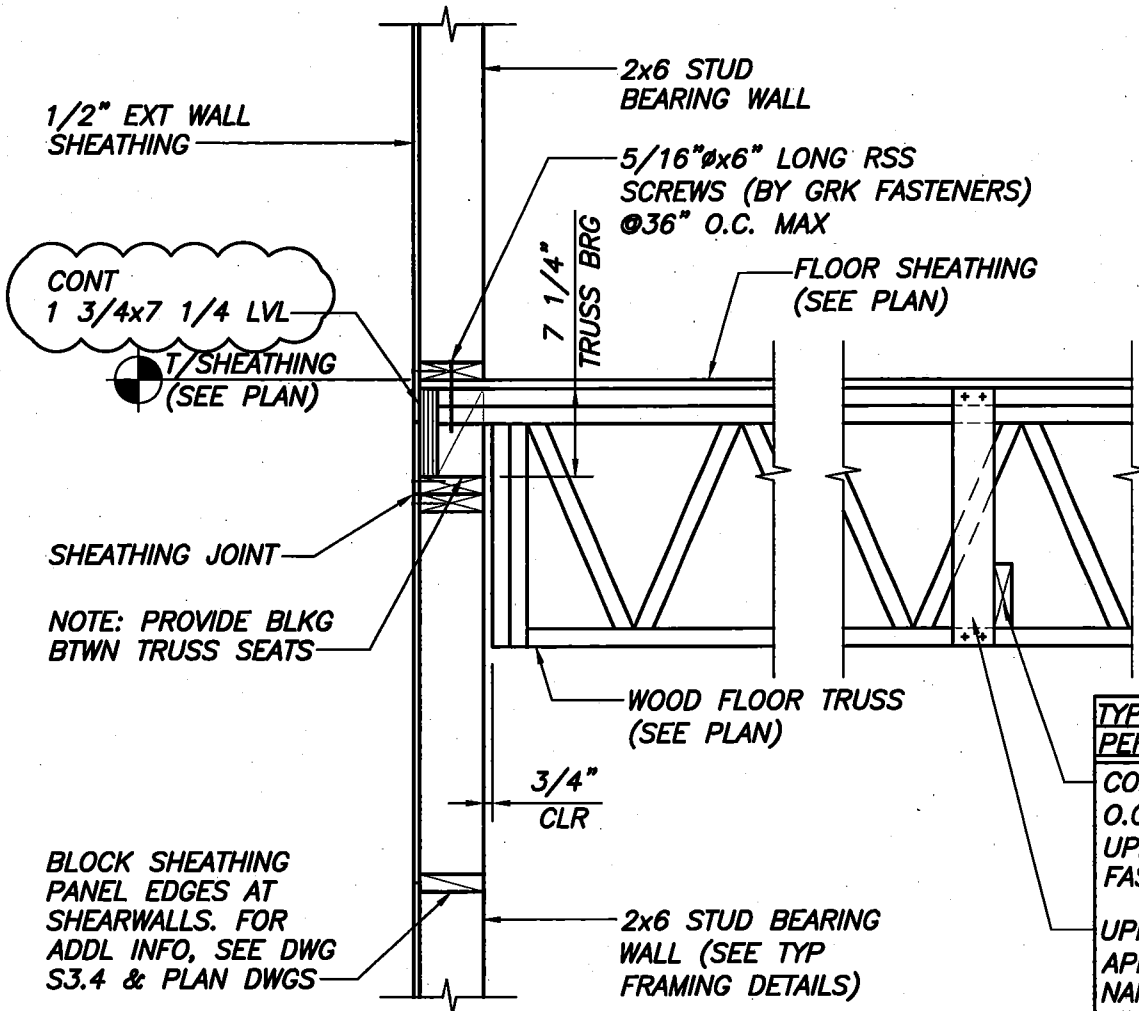
75 York Street, Portland, Maine 04101
 207.879.1838 • beckerstructural.com

Designed	NRM
Drawn	NRM
Checked	
Scale	NOTED
Date	04/21/11

OAK ST LOFTS
 PORTLAND, ME
 ADDL FDN INFO

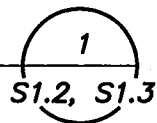
Becker Job Number
 2227

SKS-1



SECTION

3/4"=1'-0"



BECKER
STRUCTURAL ENGINEERS

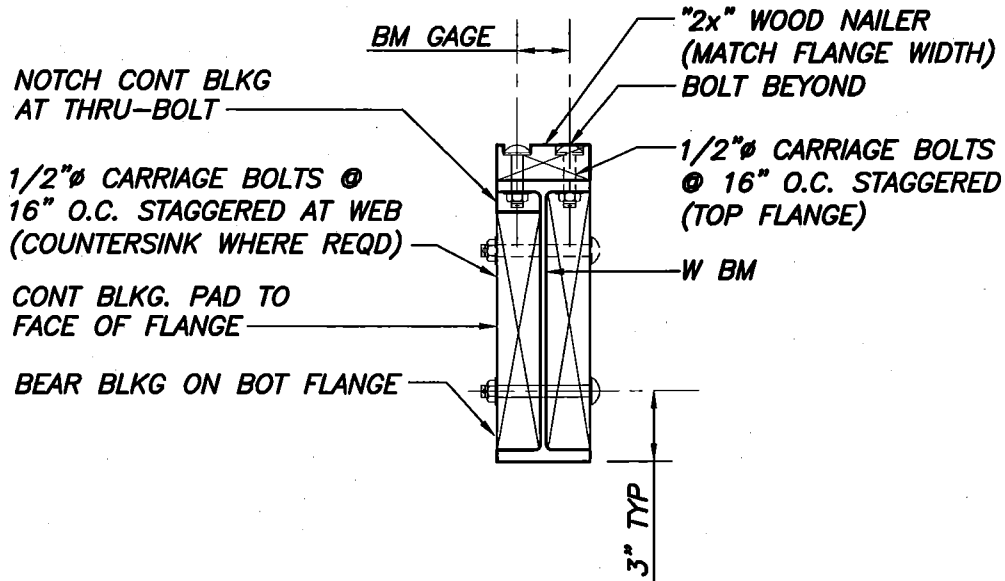
75 York Street, Portland, Maine 04101
207.879.1838 • beckerstructural.com

Designed	NRM
Drawn	NRM
Checked	
Scale	NOTED
Date	05/18/11


OAK ST LOFTS
PORTLAND, ME
CONT LVL BAND

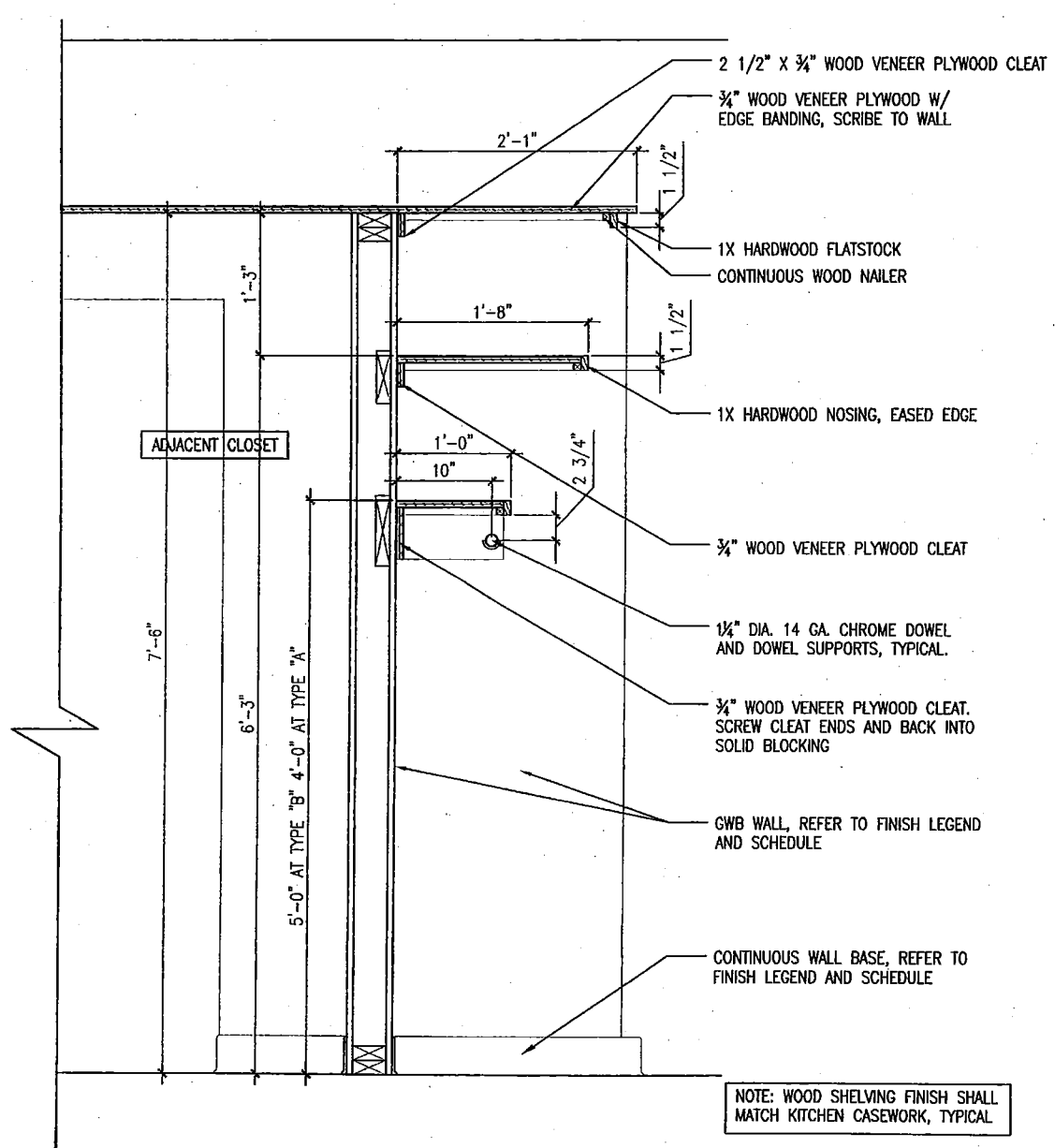
Becker Job Number
2227

SKS-2



TYP WOOD NAILER/WEB BLKG TO W-BM DETAIL
 N.T.S.

 BECKER STRUCTURAL ENGINEERS 75 York Street, Portland, Maine 04101 207.879.1838 ■ beckerstructural.com	Designed	NRM	OAK ST LOFTS PORTLAND, ME ADDL STL INFO	Becker Job Number	2227
	Drawn	NRM		SKS-4	
	Checked				
	Scale	NOTED			
	Date	08/17/11			



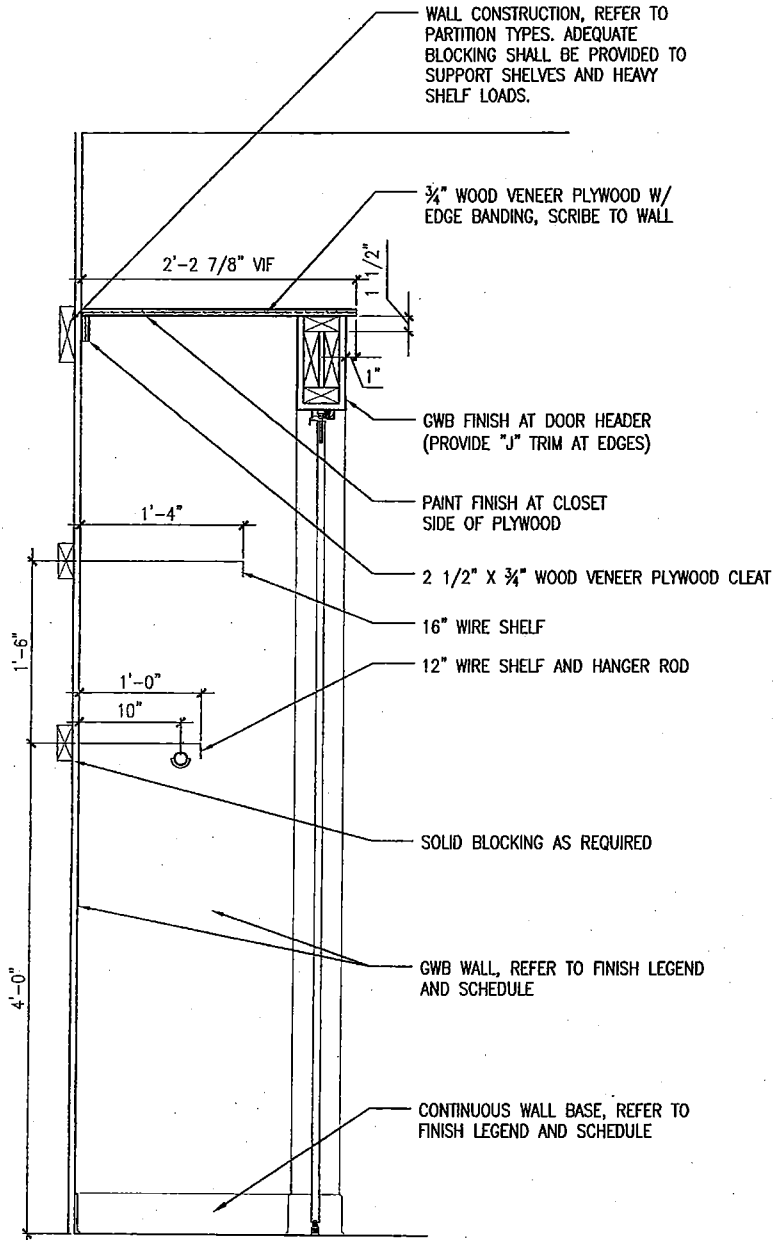
151 Cumberland Avenue
Portland, ME 04103
Phone: (207) 774-8488
Fax: (207) 774-8236
www.cwsa.com

Owner:
AVESIA OAK STREET LP
307 CUMBERLAND AVE
PORTLAND, ME 04103

Project:
OAK STREET LOFTS
72 OAK STREET
PORTLAND, ME
PROJECT #: 07.145.2/E

Drawing Title:
COAT CLOSET SECTION AT TYPE 2 UNITS
Scale: 1" = 1'-0"
Date: 7-7-01

Drawing Number:
SKA-04



WALL CONSTRUCTION, REFER TO PARTITION TYPES. ADEQUATE BLOCKING SHALL BE PROVIDED TO SUPPORT SHELVES AND HEAVY SHELF LOADS.

3/4" WOOD VENEER PLYWOOD W/ EDGE BANDING, SCRIBE TO WALL

2'-2 7/8" VIF

1 1/2"

1"

GWB FINISH AT DOOR HEADER (PROVIDE "J" TRIM AT EDGES)

PAINT FINISH AT CLOSET SIDE OF PLYWOOD

1'-4"

2 1/2" X 3/4" WOOD VENEER PLYWOOD CLEAT

16" WIRE SHELF

12" WIRE SHELF AND HANGER ROD

1'-0"

10"

SOLID BLOCKING AS REQUIRED

GWB WALL, REFER TO FINISH LEGEND AND SCHEDULE

1'-6"

4'-0"

CONTINUOUS WALL BASE, REFER TO FINISH LEGEND AND SCHEDULE

NOTE: WOOD SHELVING FINISH SHALL MATCH KITCHEN CASEWORK, TYPICAL

BEDROOM CLOSET AT TYPE "A" UNITS



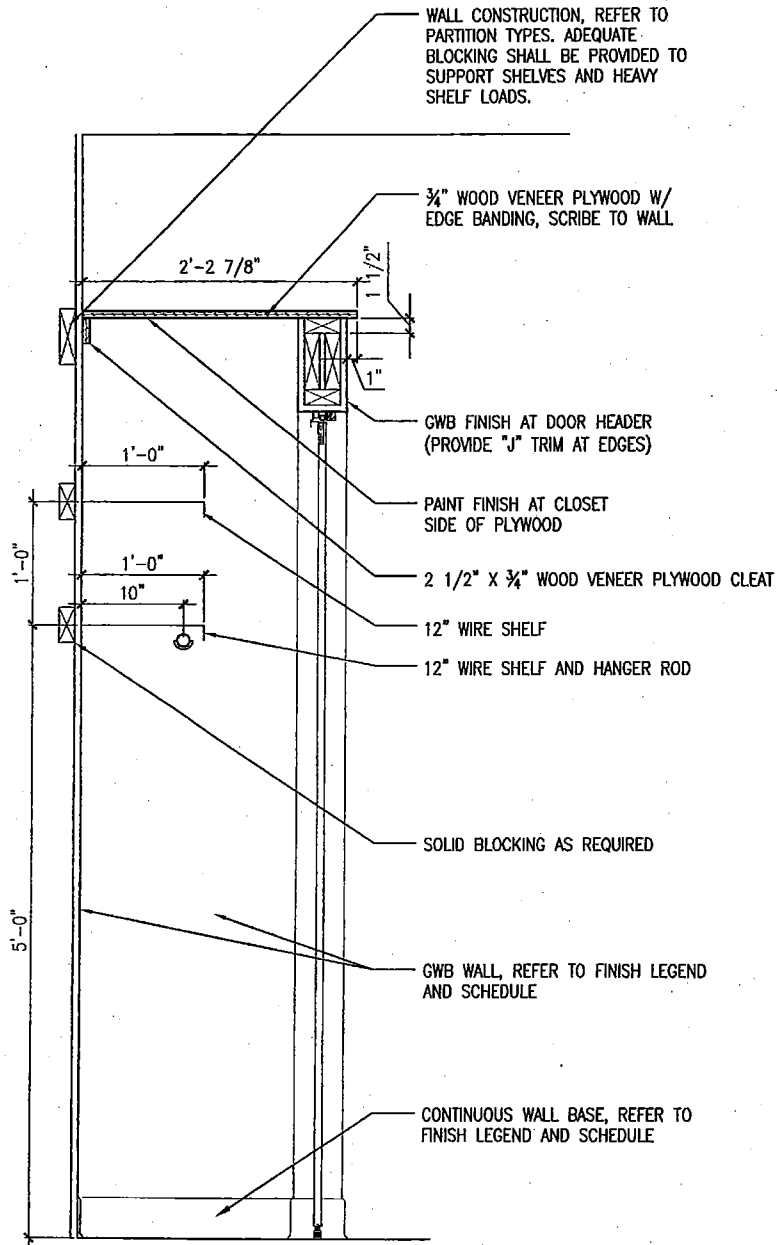
151 Colket Ave
Portland, ME 04101
Phone: (207) 774-5518
Fax: (207) 774-8216
www.cwsh.com

Owner:
AVESTIA OAK
STREET LP
307 CUMBERLAND AVE
PORTLAND, ME 04101

Project:
OAK STREET LOFTS
72 OAK STREET
PORTLAND, ME
PROJECT #: 07.446.2/E

Drawing Title:
BEDROOM CLOSET SECTION
AT TYPE "A" UNITS
Scale: 1" = 1'-0"
Date: 7-7-11

Drawing Number:
SKA-05



NOTE: WOOD SHELVING FINISH SHALL MATCH KITCHEN CASEWORK, TYPICAL

BEDROOM CLOSET AT TYPE "B" UNITS



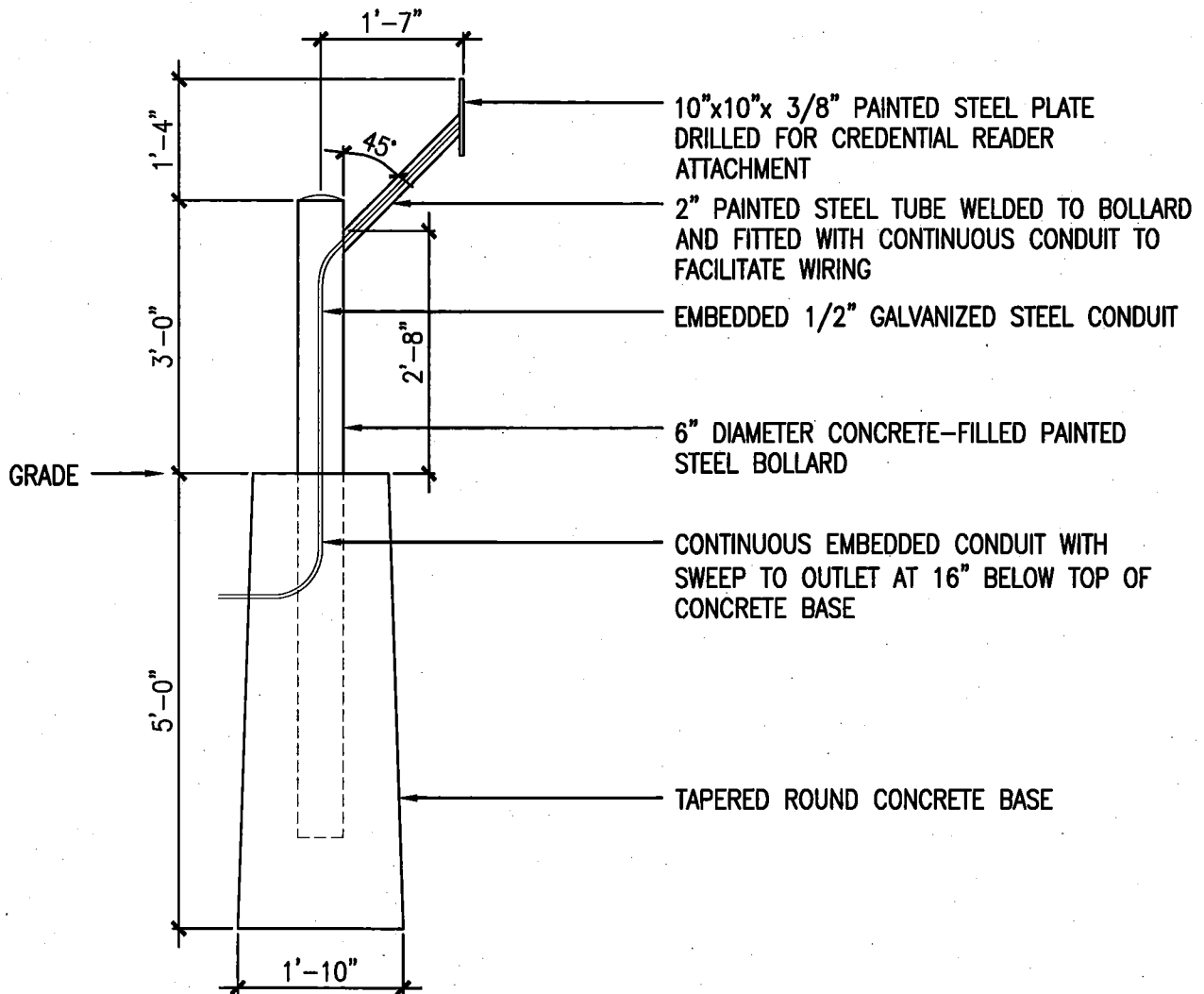
151 Calverton Ave
Portland, ME 04103
Phone: (207) 774-4144
Fax: (207) 774-4006
www.cwshome.com

Owner:
AVESTA OAK
STREET LP
307 CUMBERLAND AVE
PORTLAND, ME 04103

Project:
OAK STREET LOFTS
72 OAK STREET
PORTLAND, ME
PROJECT #: 07.146.2/E

Drawn by:
BEDROOM CLOSET SECTION
AT TYPE "B" UNITS
Scale: 1" = 1'-0"
Date: 7-7-11

Drawn by:
SKA-06

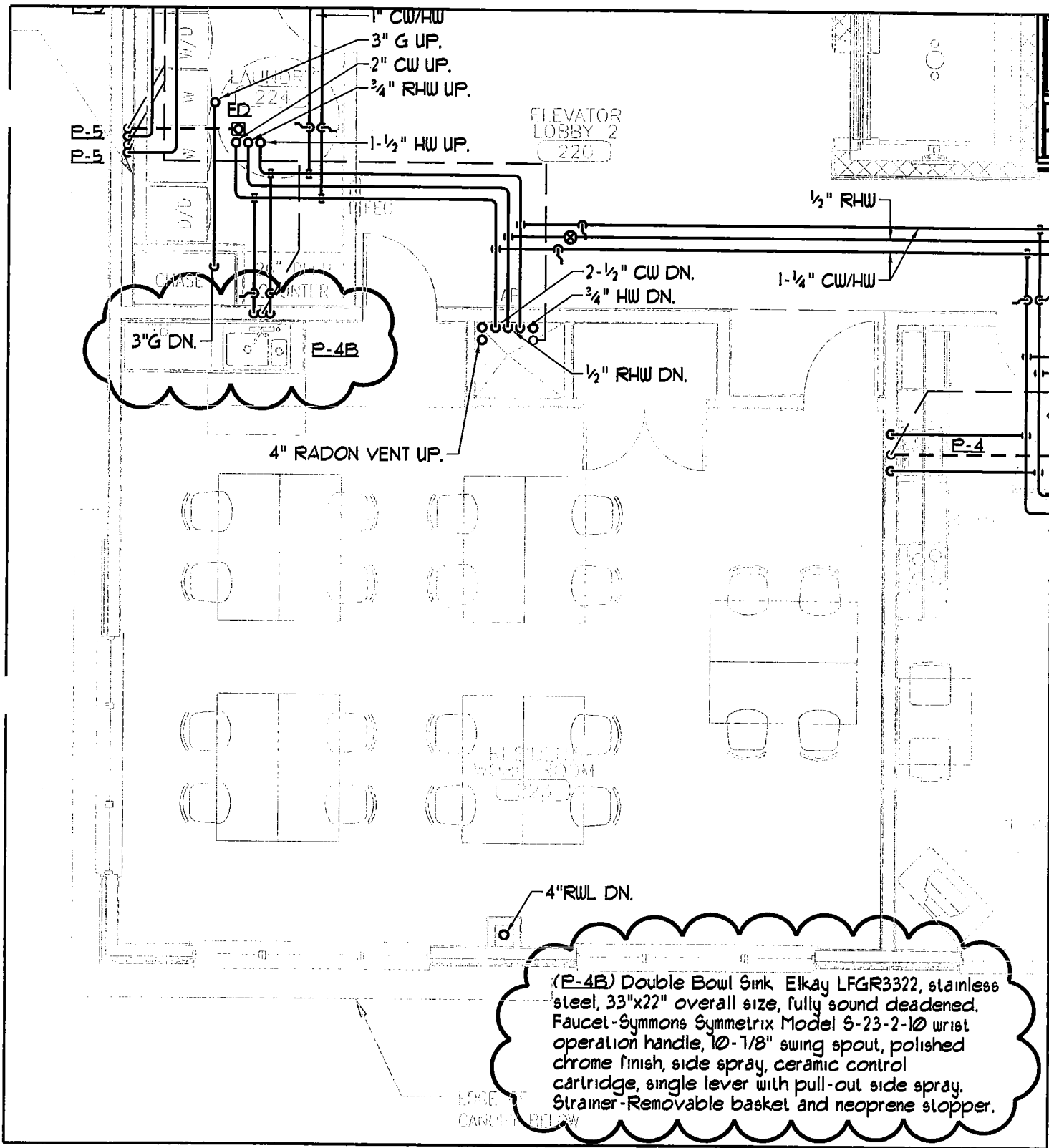


434 Cumberland Avenue
Portland, ME 04101
Phone: (207) 774-4441
Fax: (207) 774-4016
WWW.CWSARCH.COM


Project
OAK STREET LOFTS
72 OAK STREET
PORTLAND, ME
PROJECT #: 07.446 24E

Drawing Title:
GARAGE DOOR ACCESS BOLLARD
Scale: 1/2" = 1'-0"
Date: 8-11-11

Drawing Number:
SKA-7



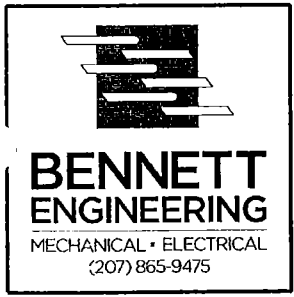
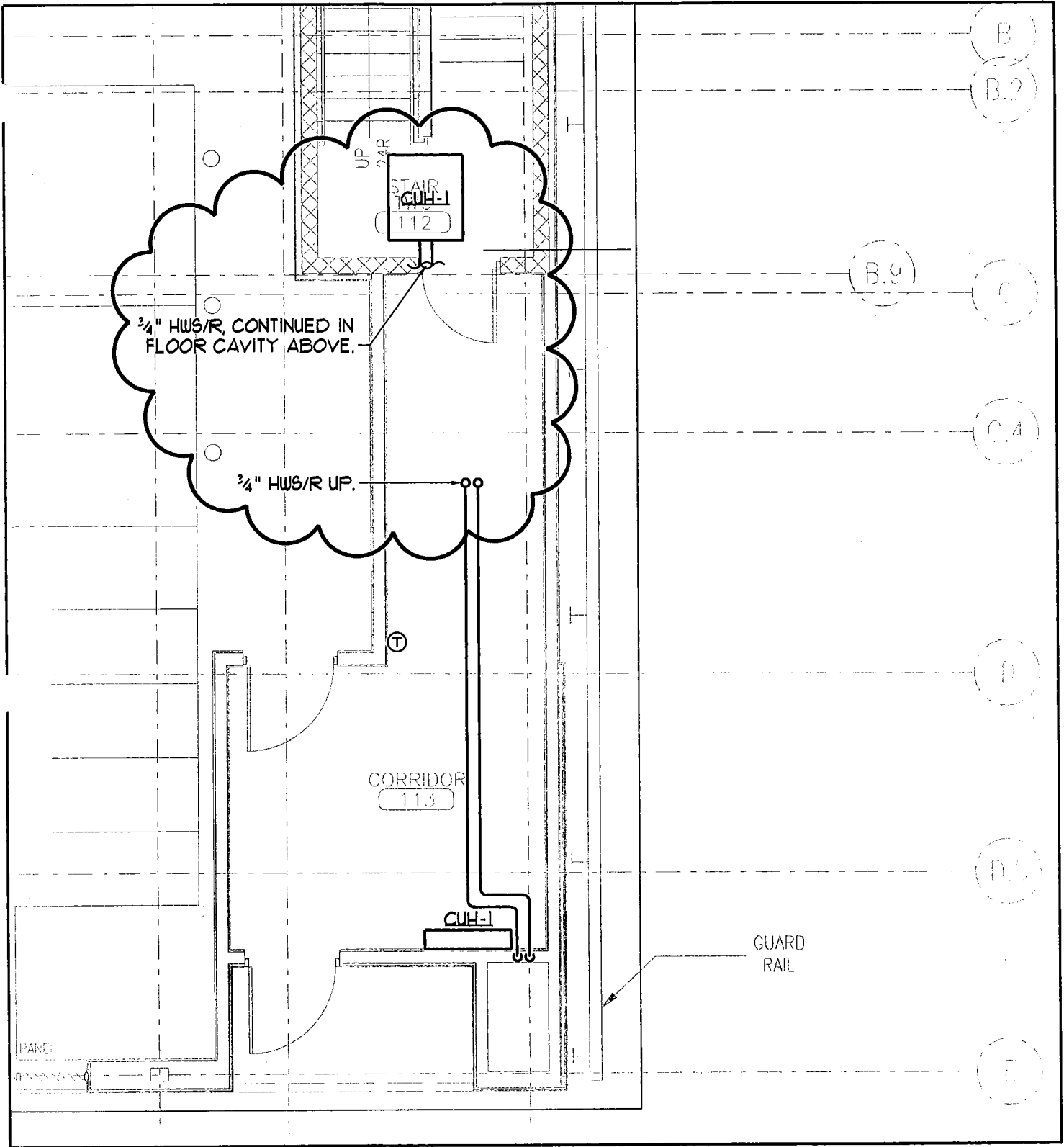
(P-4B) Double Bowl Sink Elkay LFGR3322, stainless steel, 33"x22" overall size, fully sound deadened. Faucet-Symmons Symmetrix Model S-23-2-10 wrist operation handle, 10-7/8" swing spout, polished chrome finish, side spray, ceramic control cartridge, single lever with pull-out side spray. Strainer-Removable basket and neoprene stopper.



**BENNETT
ENGINEERING**
MECHANICAL • ELECTRICAL
(207) 865-9475

<h2>OAK ST LOFTS</h2>	
DRAWING TITLE -	PARTIAL 2nd FLOOR PLUMB PLAN
DESIGNED/CHECKED BY -	SMR / SPD
DATE -	5/18/11
SCALE -	3/16" = 1'-0"

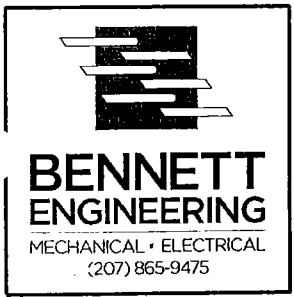
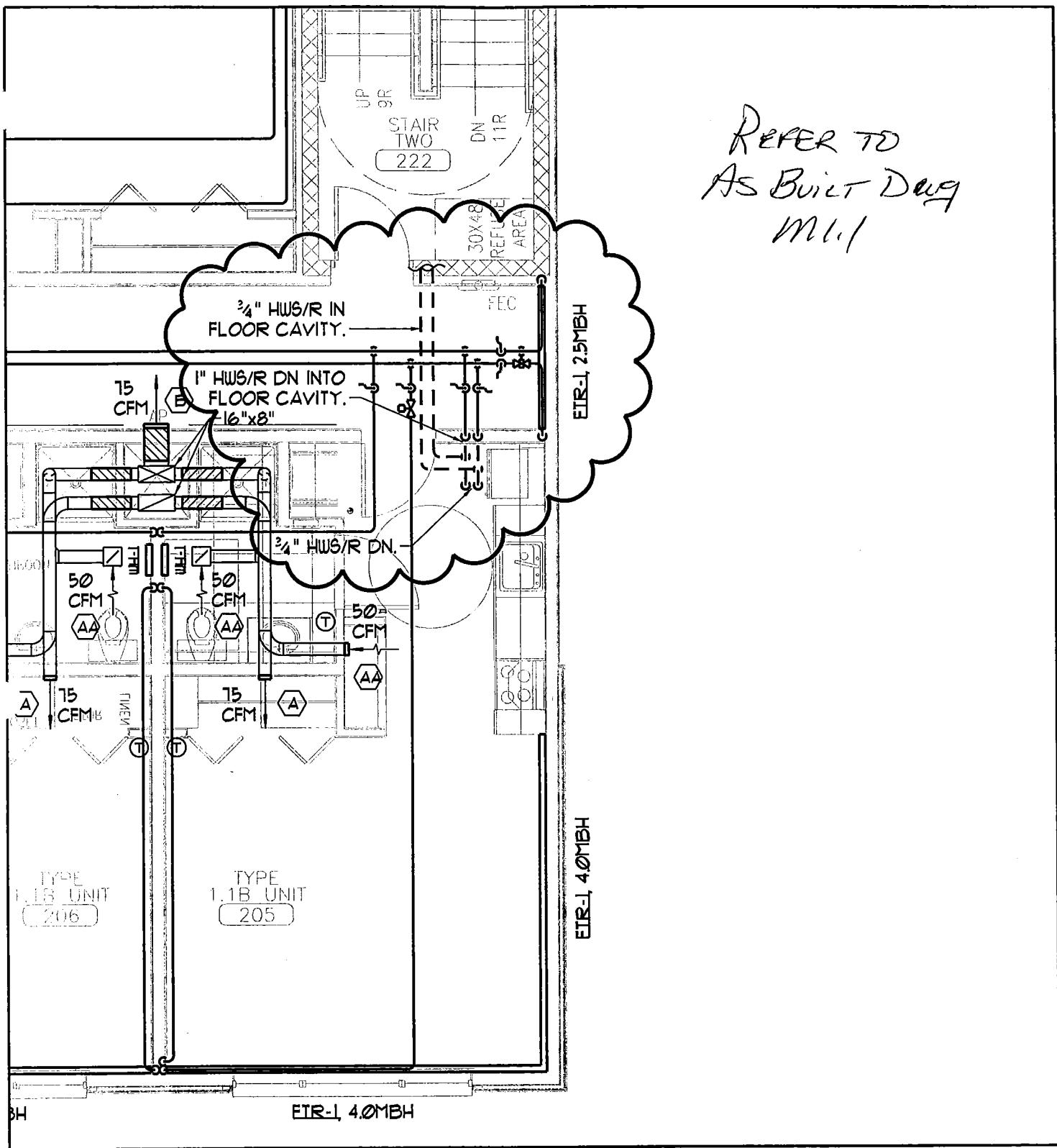
SKM-3



OAK ST LOFTS	
DRAWING TITLE -	PARTIAL 1st FLOOR MECH PLAN
DESIGNED/CHECKED BY -	SMR / SPD
DATE -	6/7/11
SCALE -	3/16" = 1'-0"

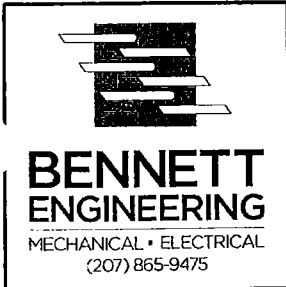
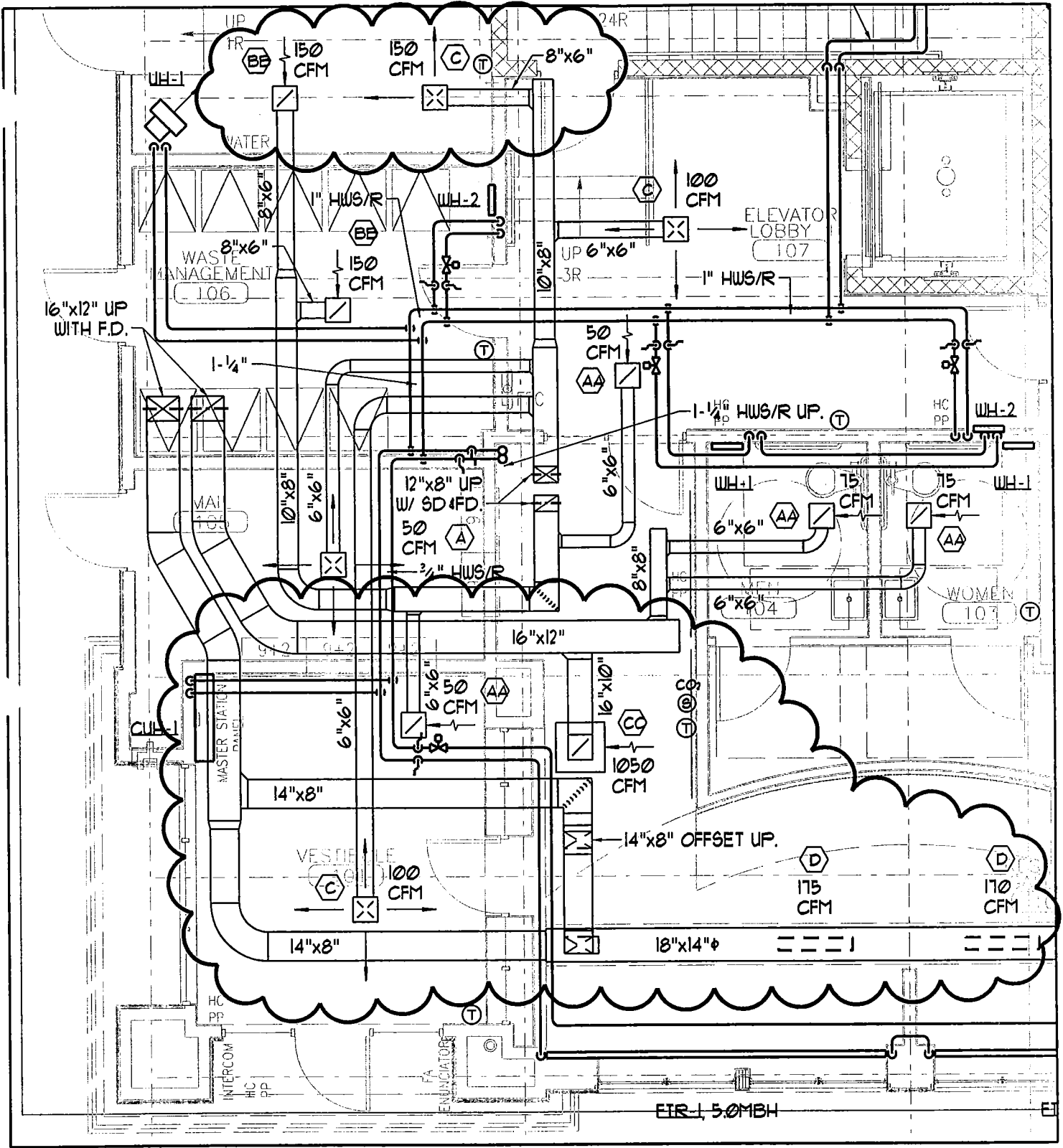
SKM-4

REFER TO
AS BUILT DRAWING
M.1.1



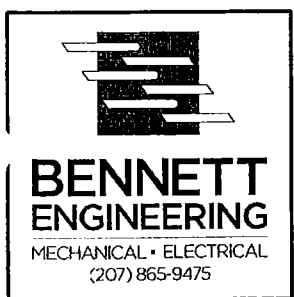
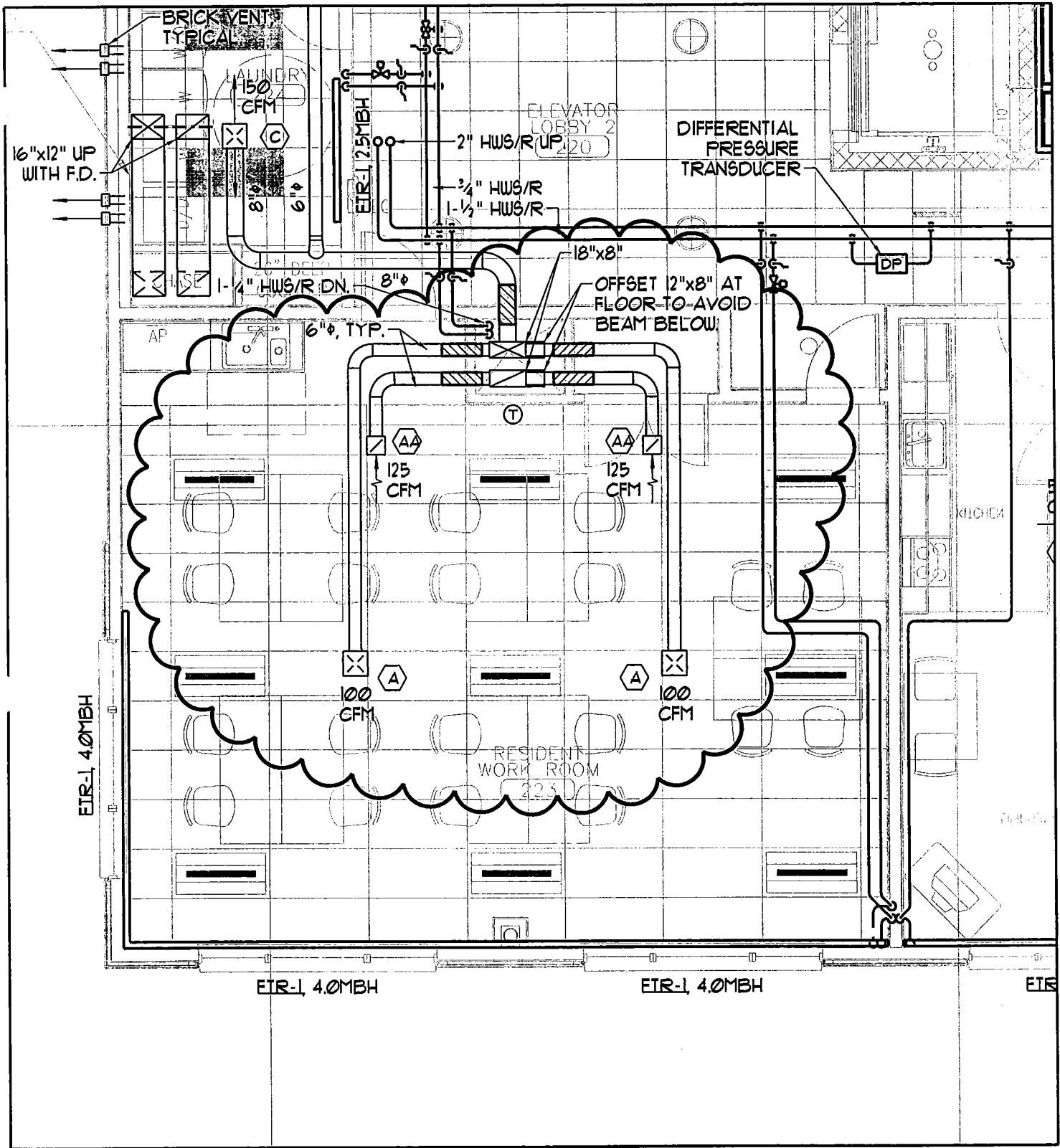
OAK ST LOFTS	
DRAWING TITLE -	PARTIAL 2nd FLOOR MECH PLAN
DESIGNED/CHECKED BY -	SMR / SPD
DATE -	6/1/11
SCALE -	3/16" = 1'-0"

SKM-5



<h1>OAK ST LOFTS</h1>	
DRAWING TITLE -	PARTIAL 1st FLOOR MECH PLAN
DESIGNED/CHECKED BY -	SMR / SPD
DATE -	8/25/11
SCALE -	3/16" = 1'-0"

SKM-6



OAK ST LOFTS	
DRAWING TITLE -	PARTIAL 2nd FLOOR MECH PLAN
DESIGNED/CHECKED BY -	SMR / SPD
DATE -	10/14/11
SCALE -	3/16" = 1'-0"

SKM-8