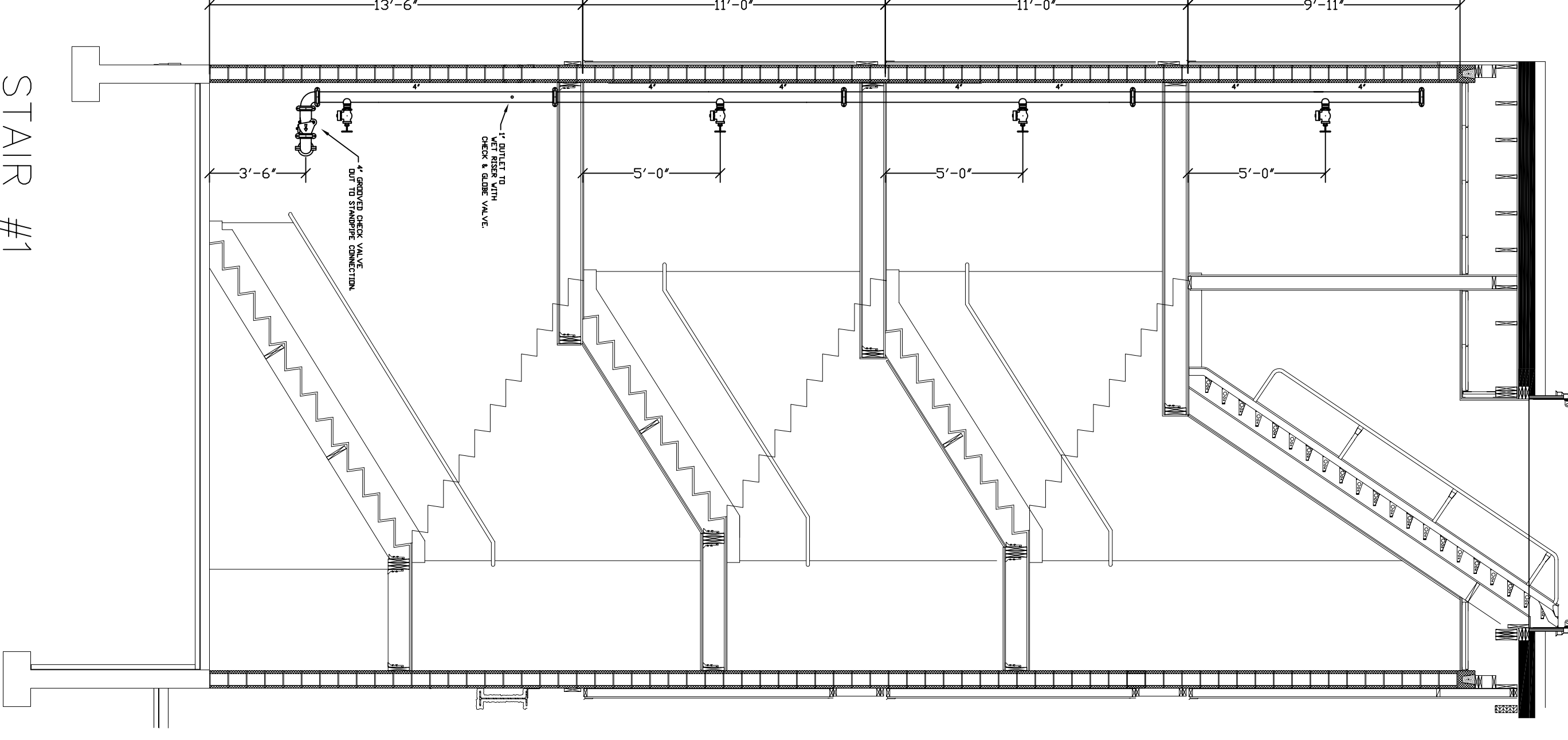


SECTION VIEW
SCALE: 1/8"=1'-0"

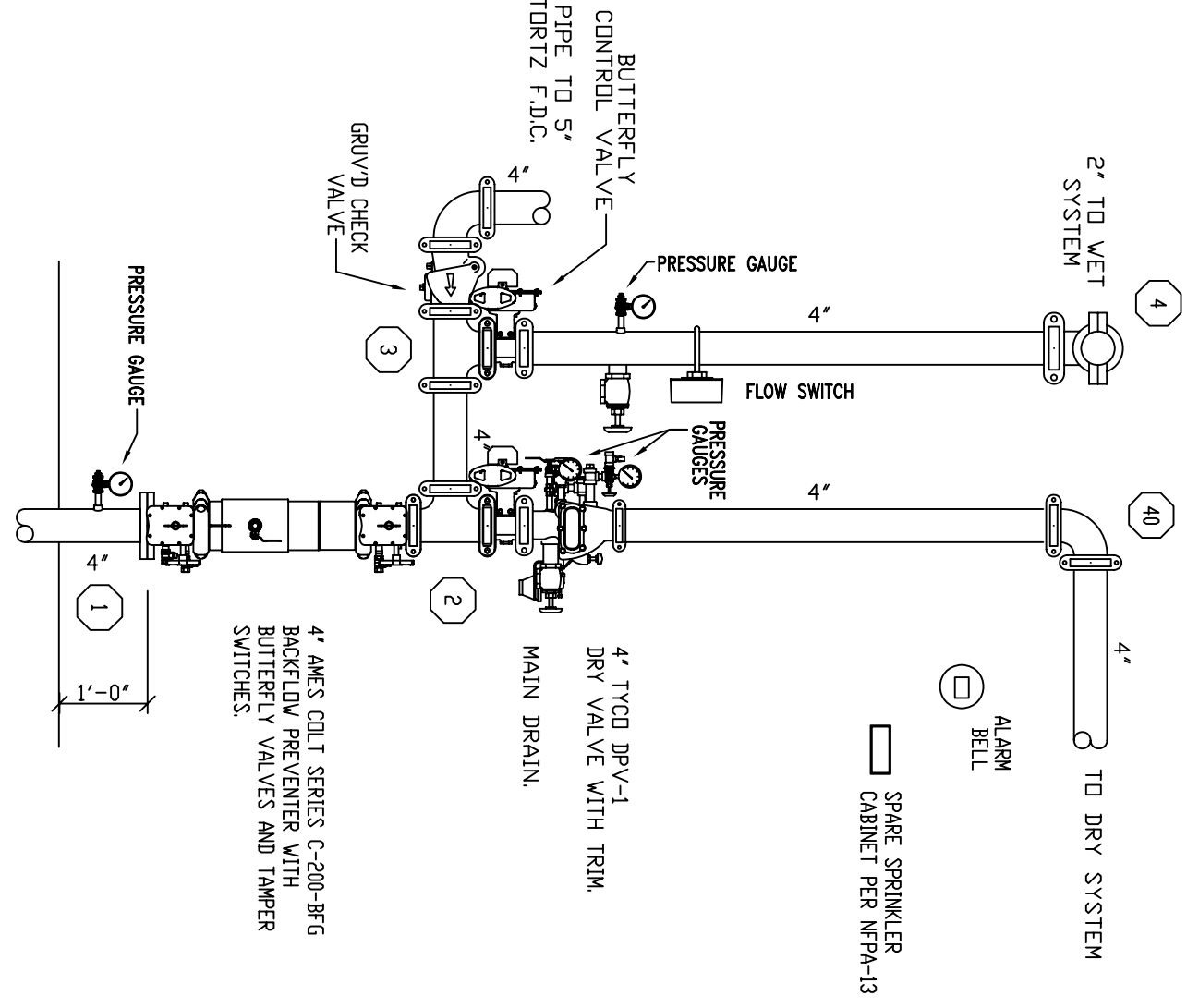
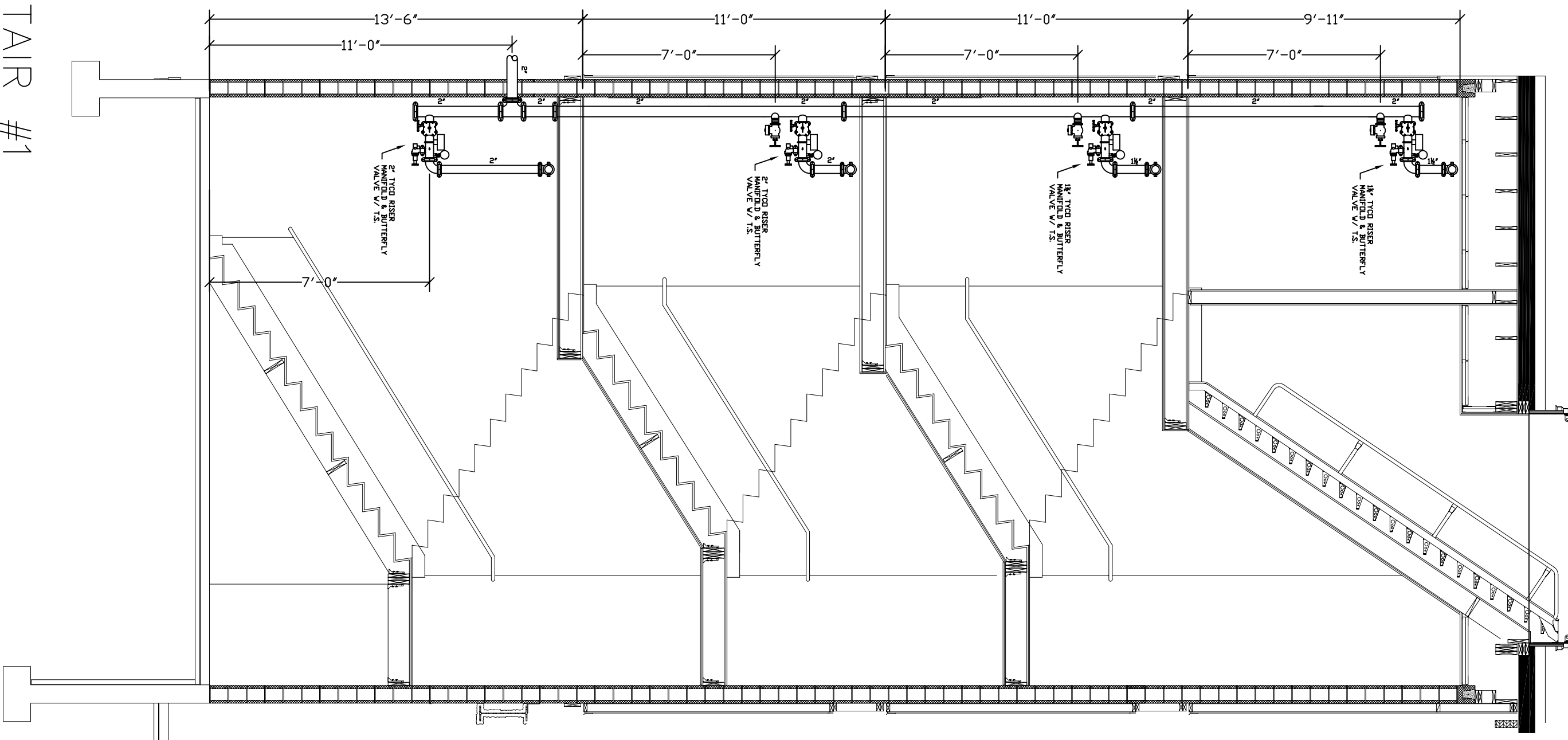
GENERAL NOTES

- 1) SYSTEM TO BE DESIGNED AND INSTALLED IN ACCORDANCE WITH 2017 NFPA-13 & NFPA-13R. PIPE AND FITTINGS TO BE COMBINATION OF BLACK STEEL SCH. 40 & SCH. 10 TYPE AND APPROVED ALTERNATES TO BE SPACED IN ACCORDANCE WITH MANUFACTURER'S RECOMMENDATIONS. ALL WIRING OF RESIDENTIAL SPRINKLERS TO BE 18416, UNLESS NOTED OTHERWISE.
- 2) SPACING OF RESIDENTIAL SPRINKLERS TO BE 18416, UNLESS NOTED OTHERWISE.
- 3) SPRINKLER HEADS TO BE PROVIDED PER NFPA 13.
- 4) SPACING OF APARTMENTS PER NFPA-13R.
- 5) BATHROOMS WHERE THE AREA DOES NOT EXCEED 55 SQ. FT. AND THE WALLS AND CEILINGS INCLUDING BEHIND FIXTURES, ARE OF NON-COMBUSTIBLE OR LIMITED COMBUSTIBLE MATERIALS PROVIDING A 15 MINUTE THERMAL BARRIER.
- 6) CLOTHES CLOSETS, LINEN CLOSETS AND PANTRIES WITHIN THE DWELLING UNITS WHERE THE AREA OF THE SPACE DOES NOT EXCEED 24 SQ. FT. AND THE LEAST DIMENSION DOES NOT EXCEED 3 FT. AND THE WALLS AND CEILINGS ARE SURFACED WITH NON-COMBUSTIBLE OR LIMITED COMBUSTIBLE MATERIALS AS DEFINED BY NFPA.
- 7) ANY PORCHES, BALCONIES, CORRIDORS, AND STAIRS THAT ARE OPEN AND ATTACHED.
- 8) ATTICES, PENETRATION EQUIPMENT ROOMS, GYM, SPACE, FLOORING, SPACE, ELEVATOR SHAFTS, AND OTHER COMPLETED SPACES THAT ARE NOT USED OR INTENDED FOR LIVING PURPOSES OR STORAGE. MAINTENANCE OF THE SPRINKLER SYSTEM IS THE RESPONSIBILITY OF THE OWNER.
- 9) PROTECTION OF THE SPRINKLER SYSTEM AGAINST FREEZING IS THE RESPONSIBILITY OF THE OWNER.

STAIR #1
MANUAL WET STAND PIPE
WITH HOSE VALVES.

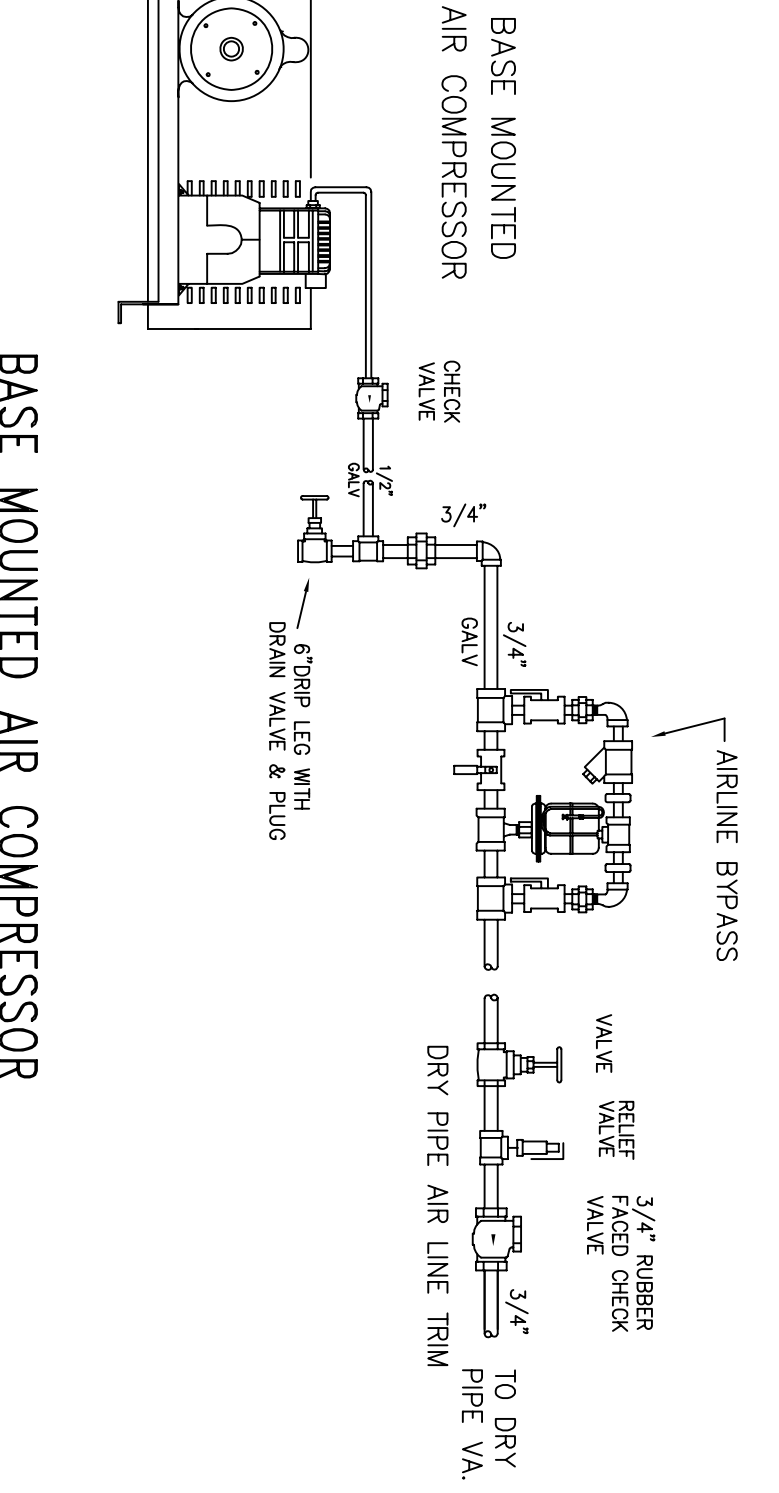


STAIR #1
WET RISER W/ FLOOR CONTROL VALVES



RISER DETAIL
SCALE: N.T.S.

TOTAL VOLUME OF DRY SYSTEM 138 GAL.
SYSTEM TO BE EQUIPPED WITH LOW AIR ALARM
& LOW AIR PRESSURE SWITCH.



BASE MOUNTED AIR COMPRESSOR

FLOOR TEST DATA

STAIR	RESERVE	DATE	BY
1	68	5/17/21	MAN
2	68	5/17/21	MAN
3	68	5/17/21	MAN

QUANTITY CHANGING: IRLK, DPHI
SINGLE INSTANT TEST: IRLK, DPHI
PART 1: 2021 MATRIN DISTRICT

REVISIONS	NOTES									
	SPRINKLER TYPE	IDENTIFICATION NO.	WFG.	ESC.	MODEL	FINISH	ORIFICE	TEMP.	SYMBOL	QUANT.
	TOTAL SPRINKLERS THIS DRAWING									

STANDARD SYMBOLS

STANDARD SYMBOLS

SYMBOL	DESCRIPTION	SYMBOL	DESCRIPTION
~	POST INDICATOR VALVE	▲	ALARM CHECK VALVE
K	KEY VALVE	▲	RISER W/ALARM VALVE
F	FIRE DEPT. CONNECTION	▲	RISER W/DRY VALVE
+	0.5 & Y GATE VALVE	▲	RISER W/ELEC. FLOW SWITCH
+	SWING CHECK VALVE	▲	RISER W/DRIUE VALVE
+	REN UNDERDRAND	▲	WATER MOTOR BELT
+	GRIP UNDERDRAND	▲	LEADING BELL
		▲	FLASH FIRE DEPT. CONNECTION

INSPECTIONS

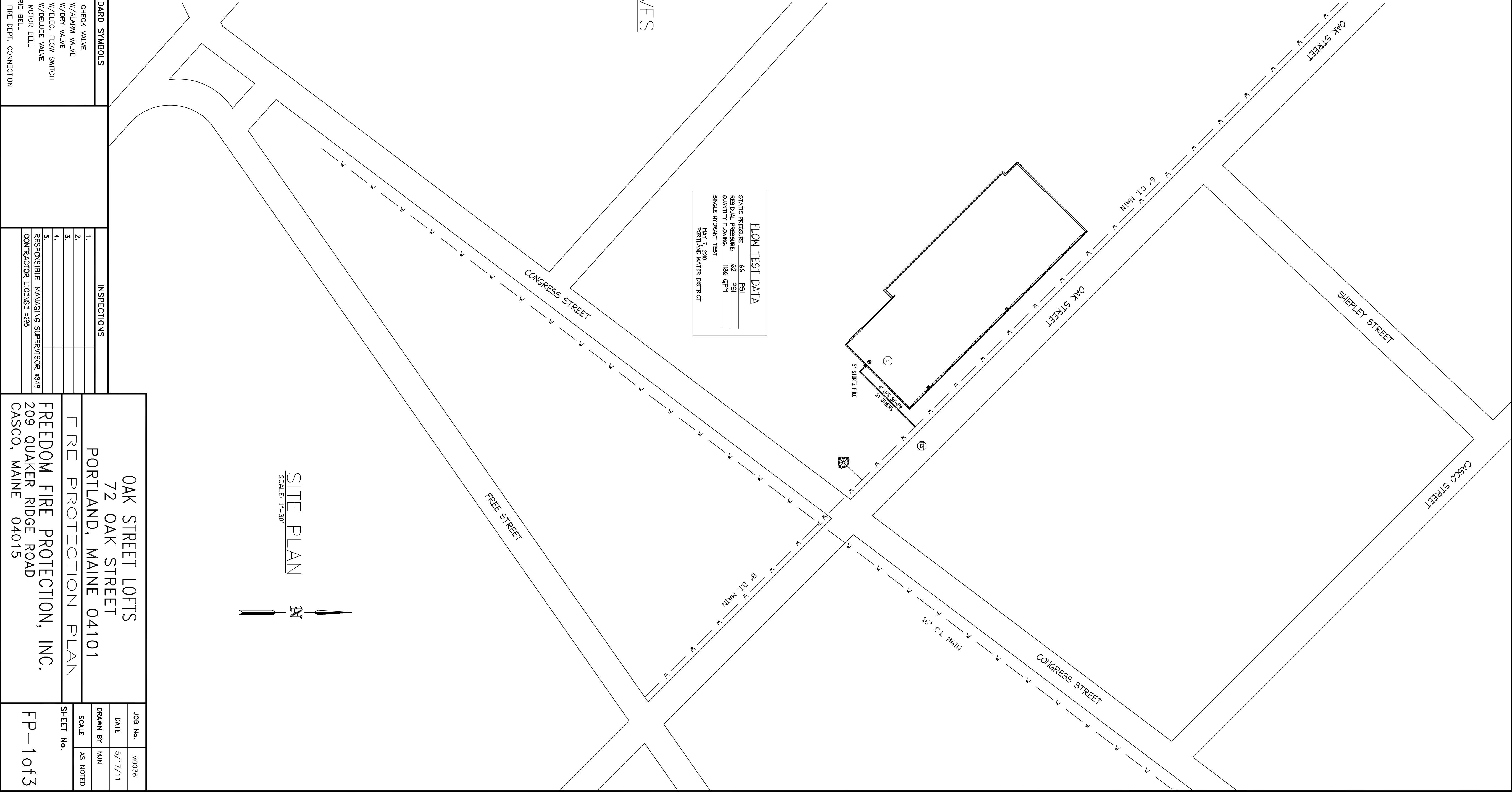
NO.	DATE	BY	AS NOTED
1.			
2.			
3.			
4.			

OAK STREET LOFTS
72 OAK STREET
PORTLAND, MAINE 04101

FIRE PROTECTION PLAN

FREEDOM FIRE PROTECTION, INC.
209 QUAKER RIDGE ROAD
CASCO, MAINE 04015

JOB No.	M0236
DATE	5/17/21
DRAWN BY	MAN
SCALE	AS NOTED
SHEET No.	FP-10f3



SITE PLAN
SCALE: 1"=30'

