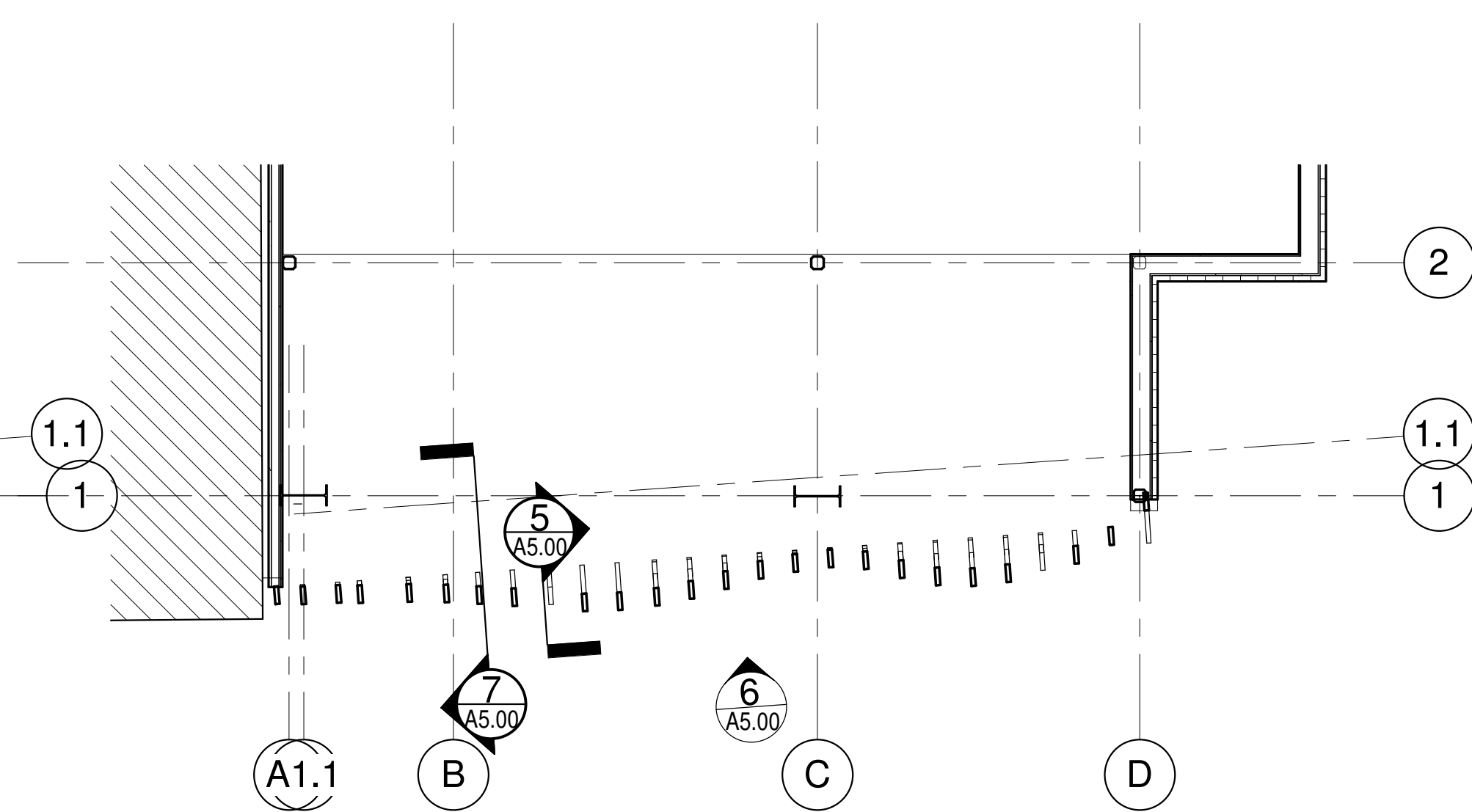
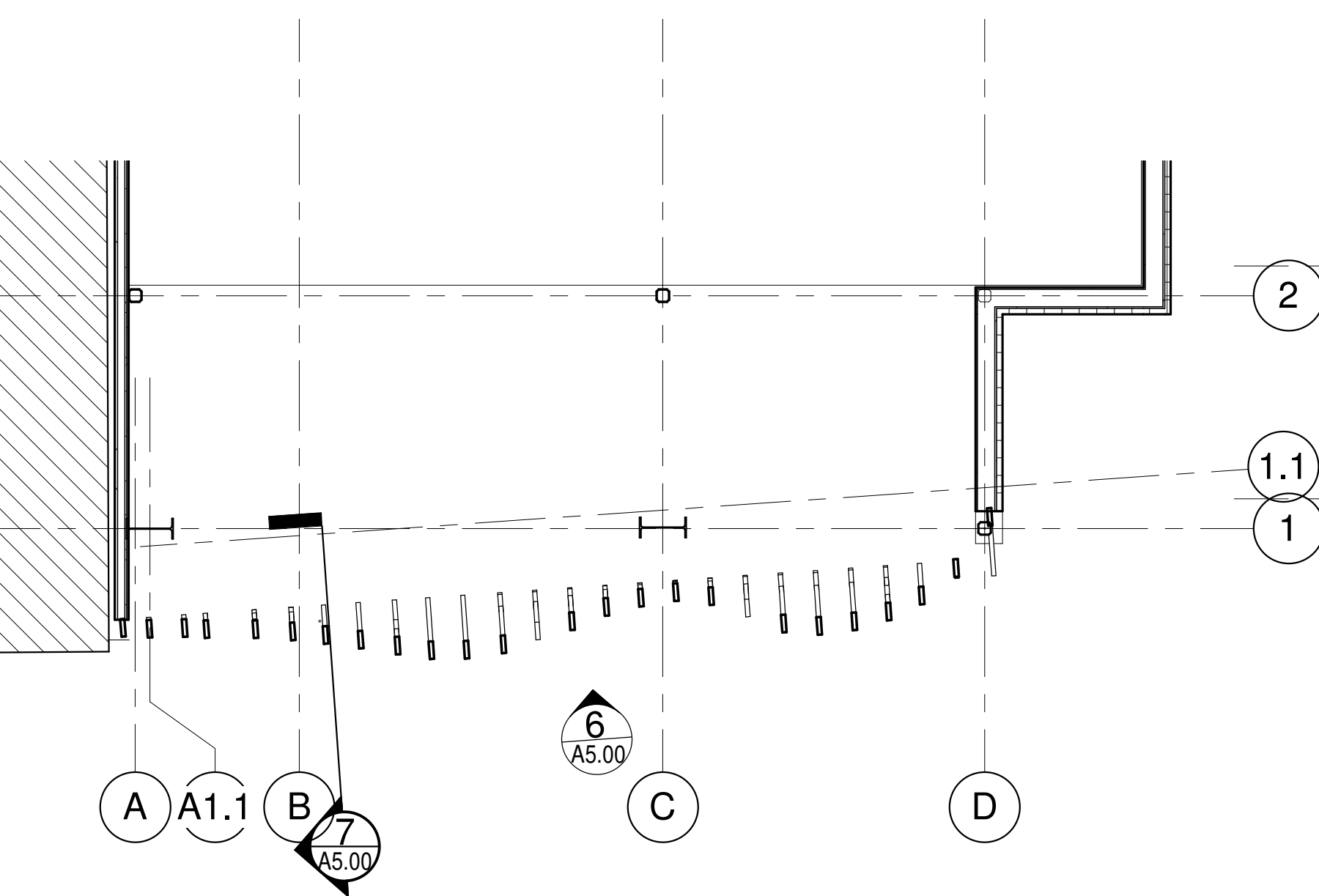


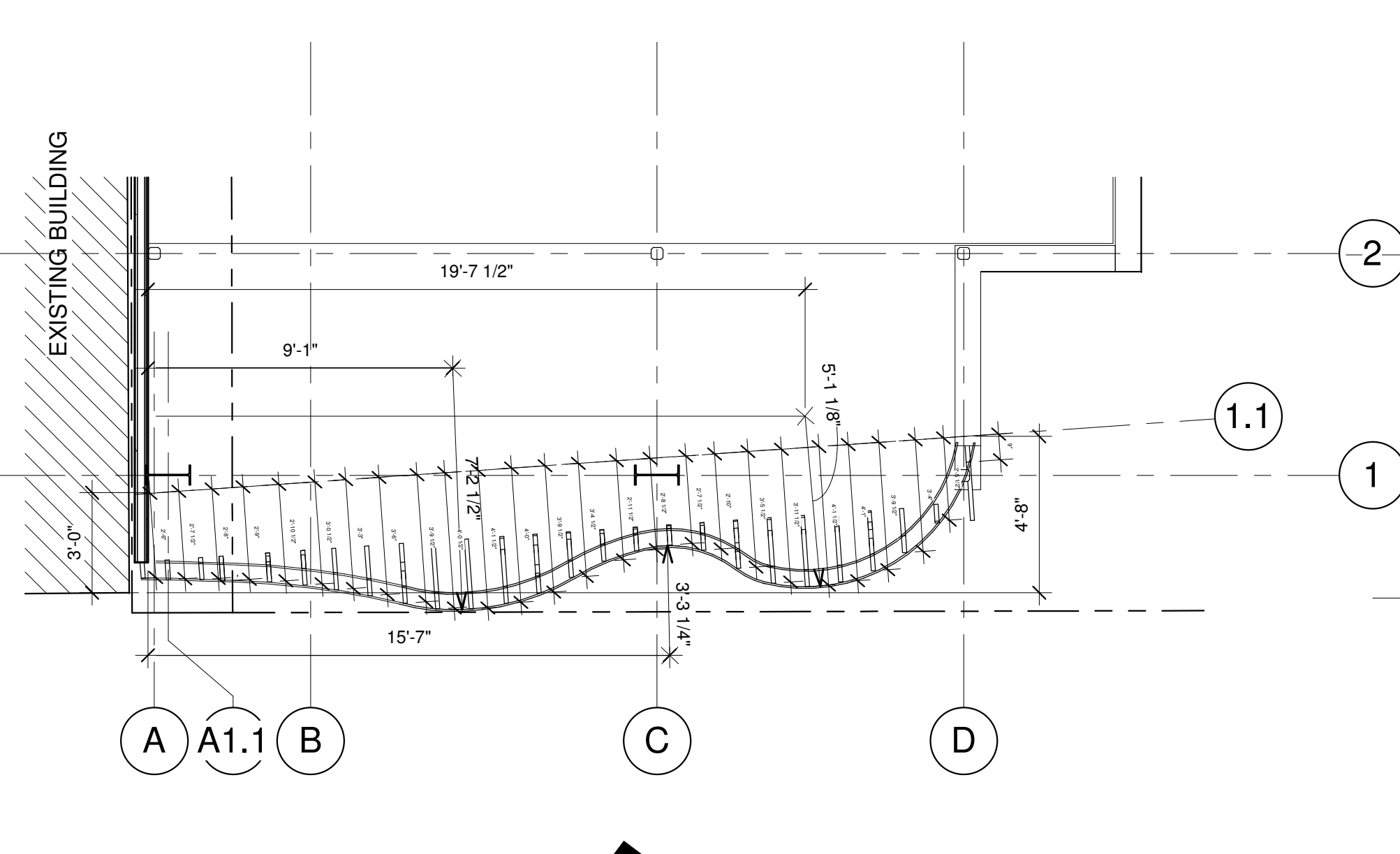
**1 | 1ST FLOOR FRAMING**  
1/4" = 1'-0"



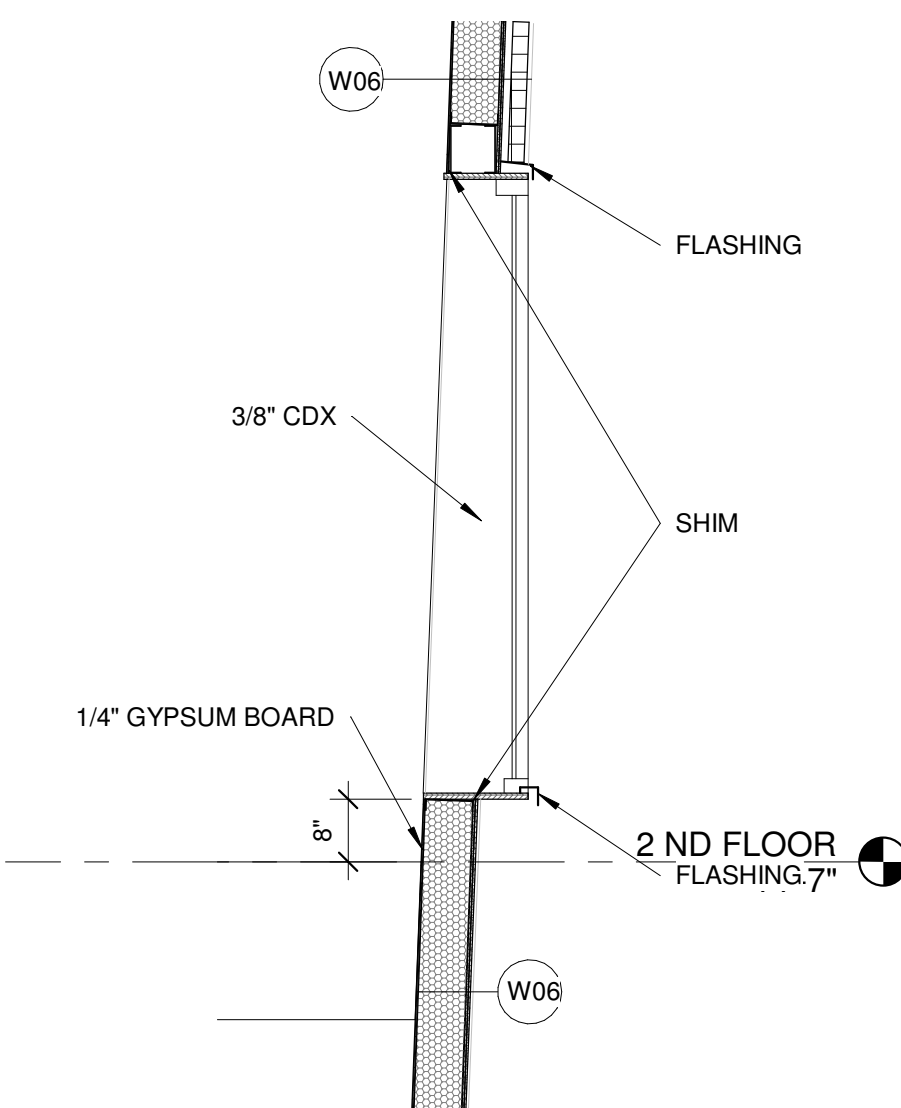
**2 | 2ND FLOOR FRAMING**  
1/4" = 1'-0"



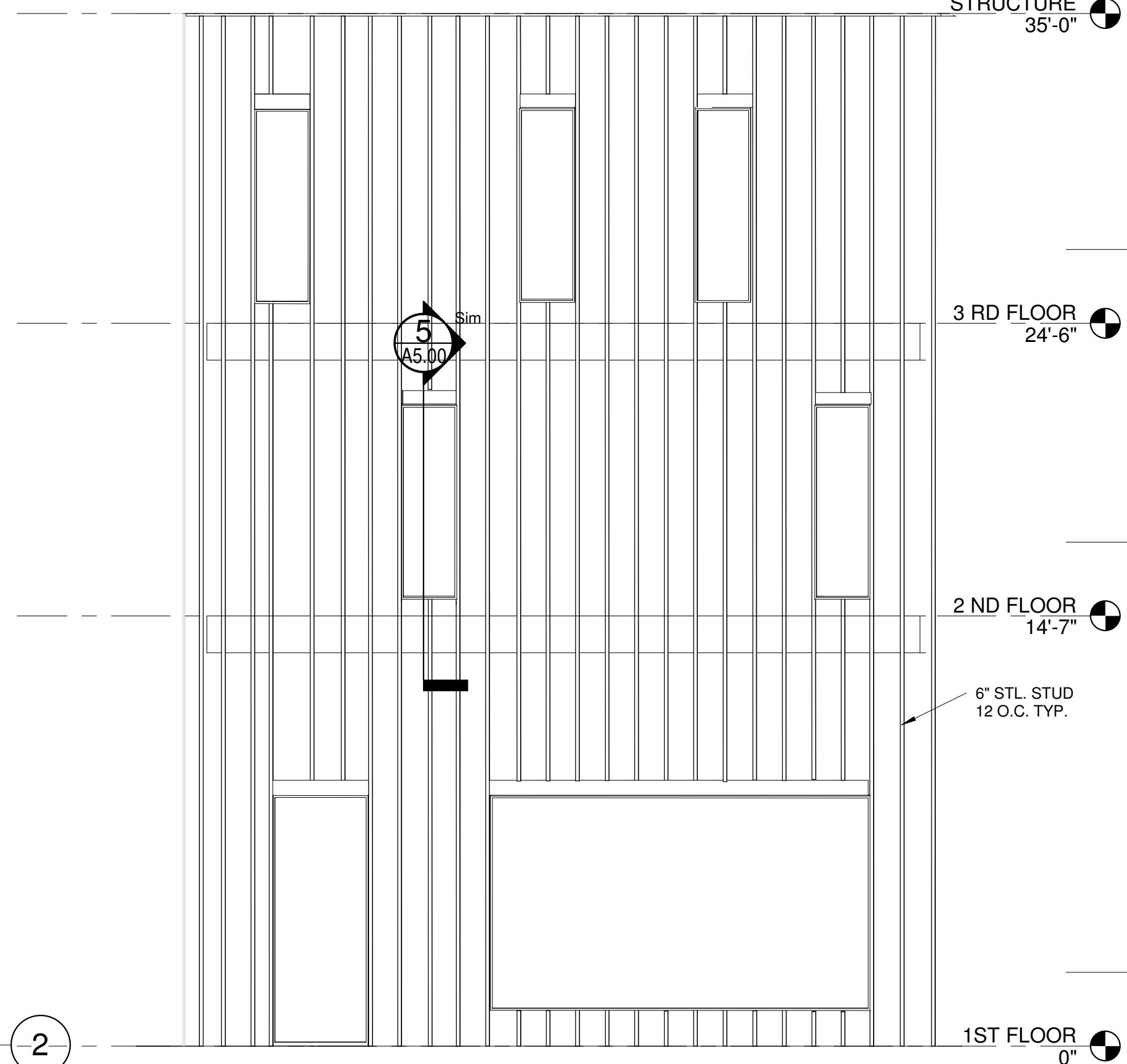
**3 | 3RD FLOOR FRAMING**  
1/4" = 1'-0"



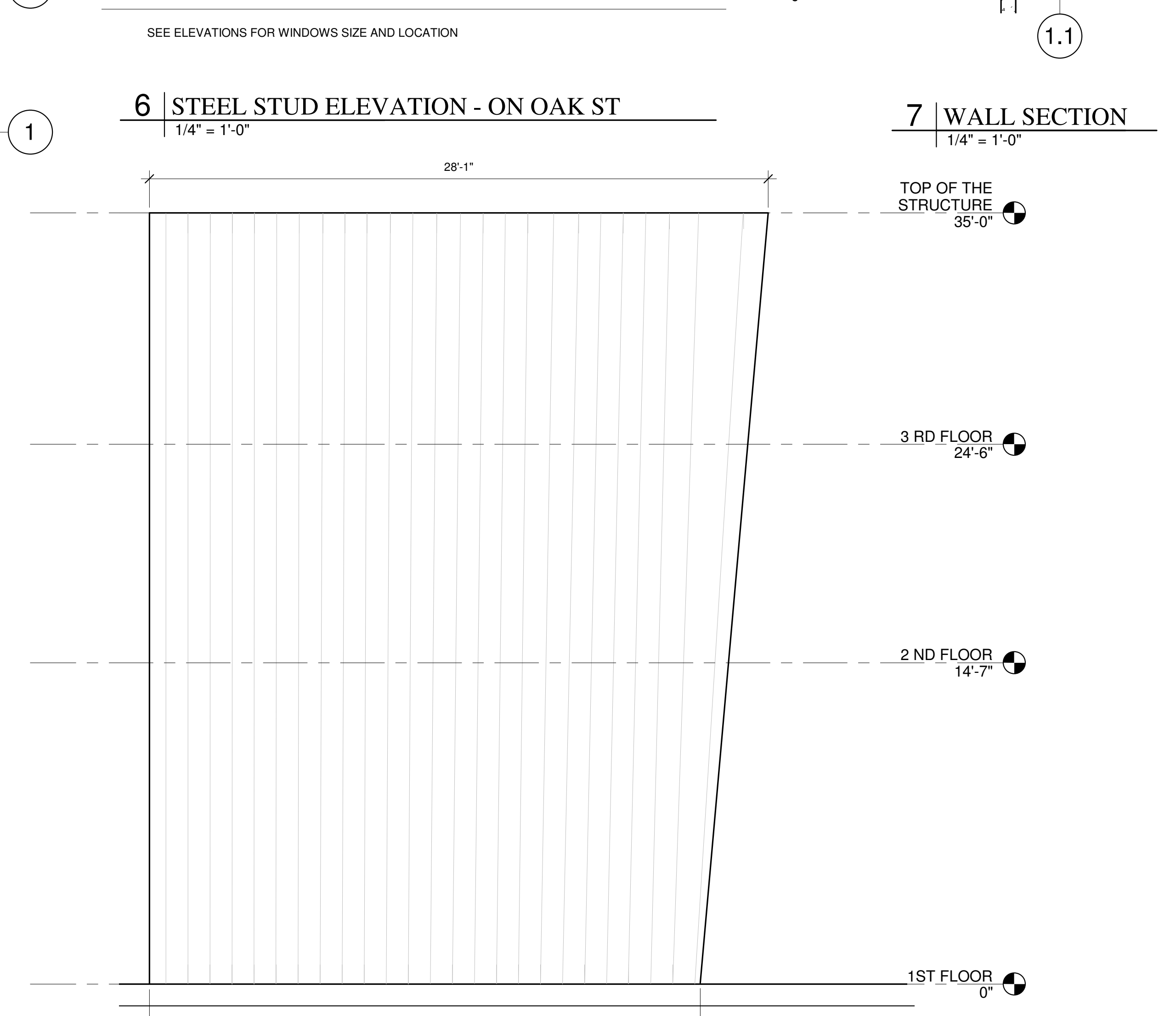
**4 | TOP OF THE STRUCTURE FRAMING**  
1/4" = 1'-0"



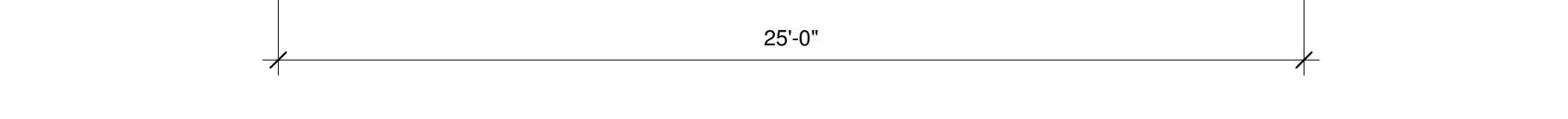
**5 | WINDOW SECTION**  
1/2" = 1'-0"



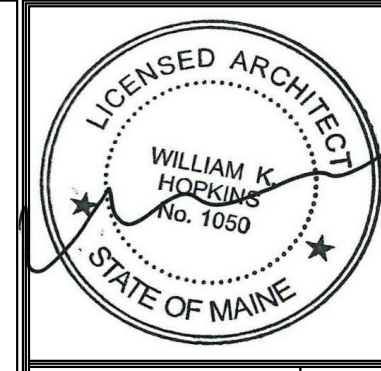
**6 | STEEL STUD ELEVATION - ON OAK ST**  
1/4" = 1'-0"



**7 | WALL SECTION**  
1/4" = 1'-0"



**8 | SIDING ELEVATION ON OAK ST**  
1/4" = 1'-0"



Prepared For:

Consultant:

**ARCHETYPE** architects  
48 Union Wharf Portland, Maine 04101  
(207) 772-6022 ARCHETYPE@ARCHETYPEPA.COM

Project: **84 OAK STREET GARAGE**

Revisions: 2/28/2018 FOR PERMIT

Date: 2/28/2017  
Scale: As indicated

**FRAMING DETAILS**

**A5.00**