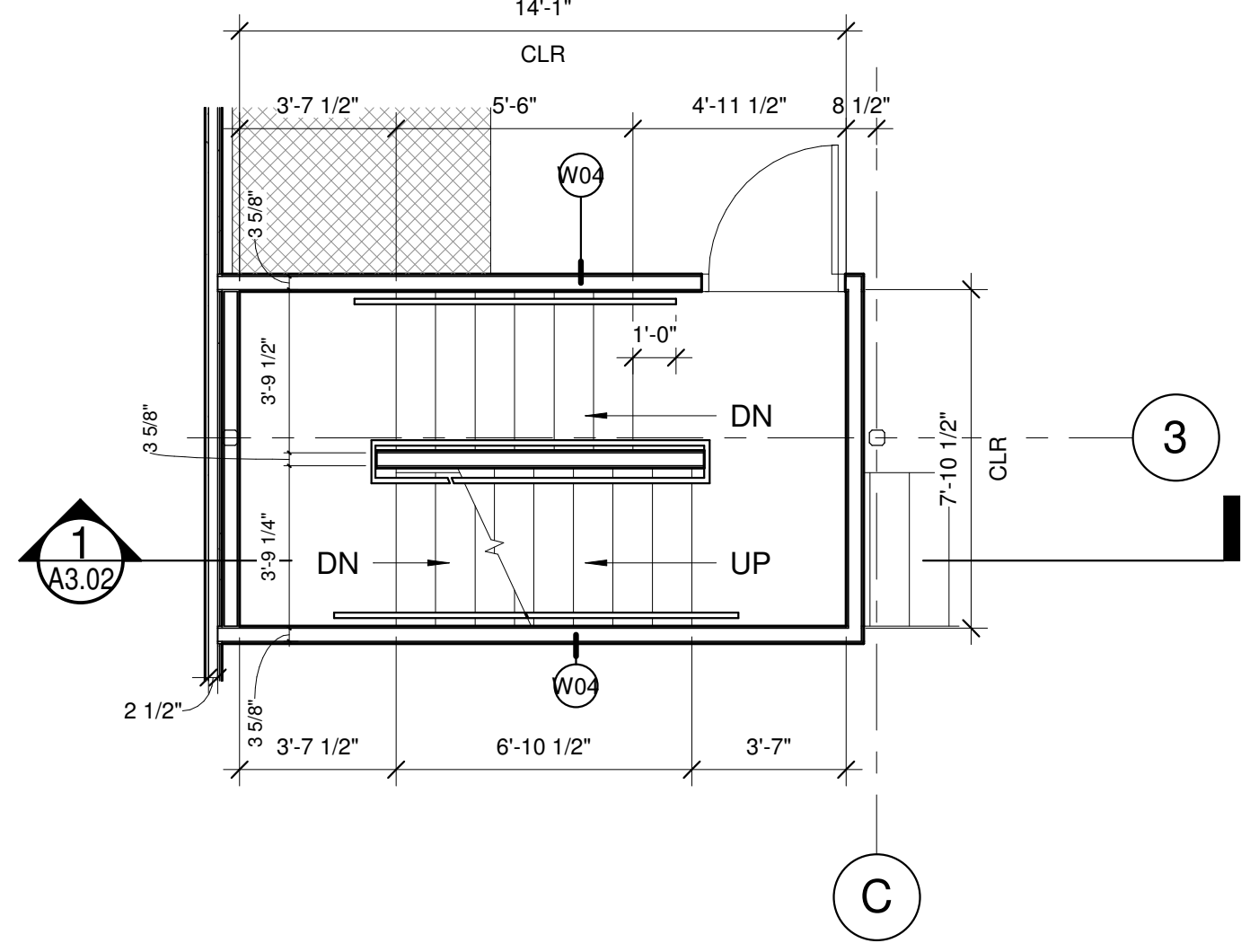
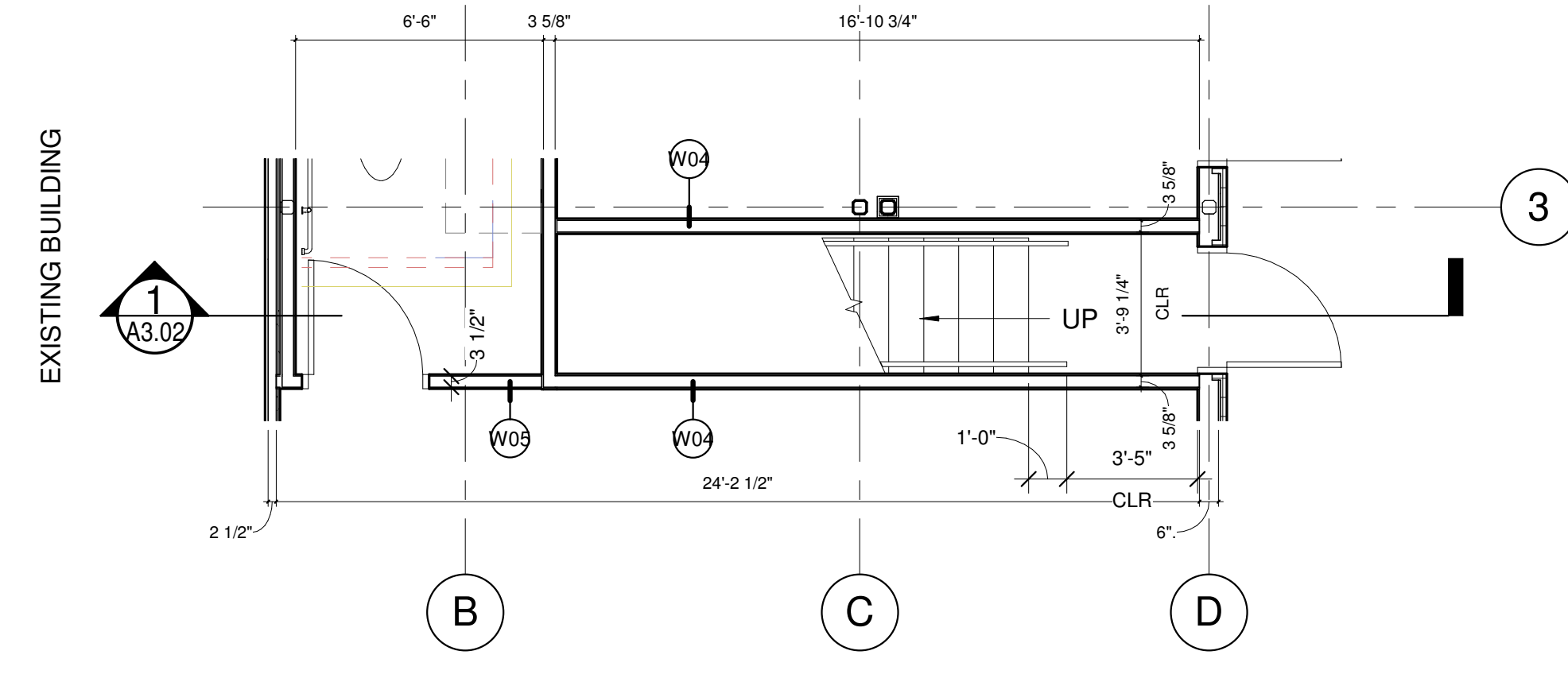


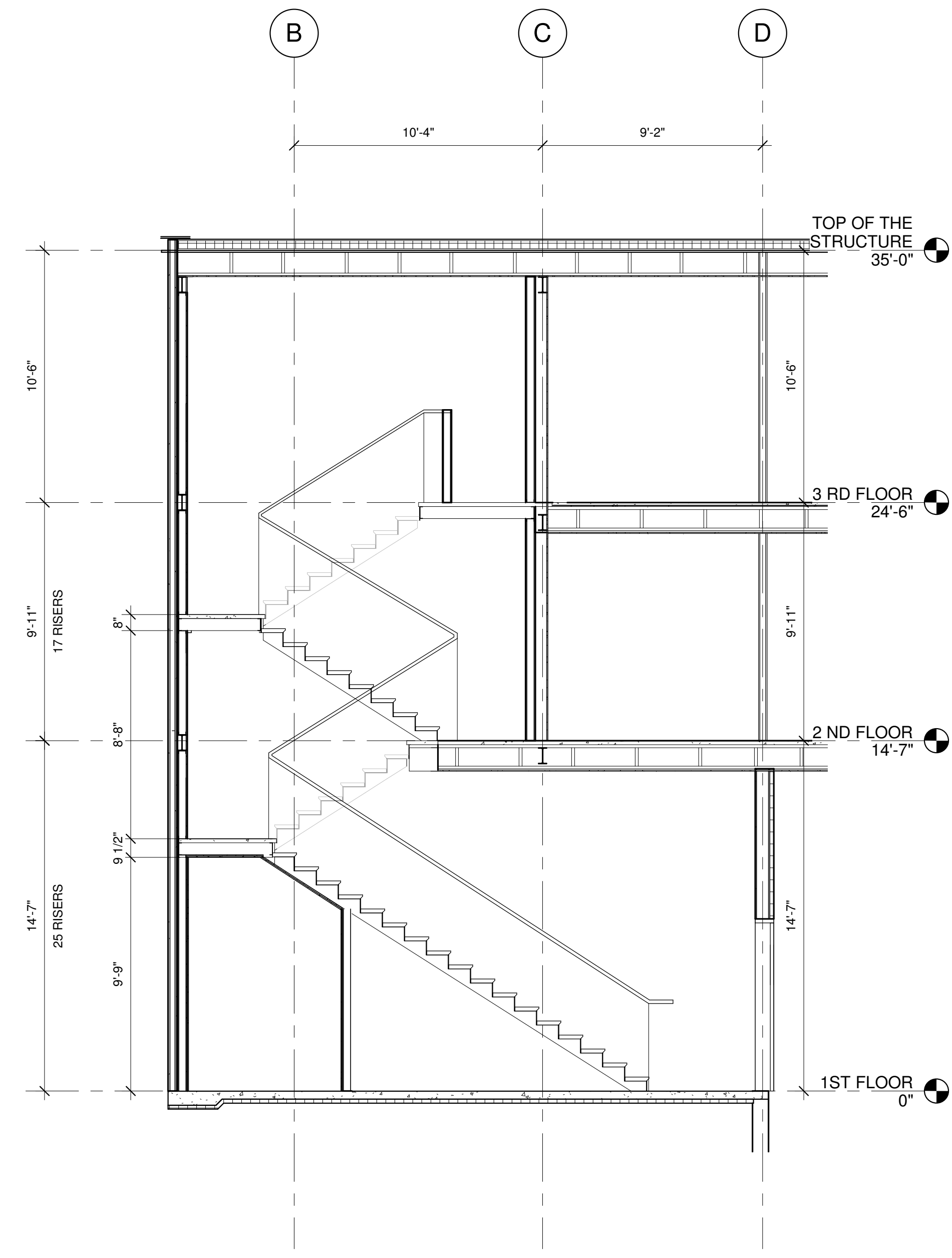
**2 | THIRD FLOOR**  
1/4" = 1'-0"



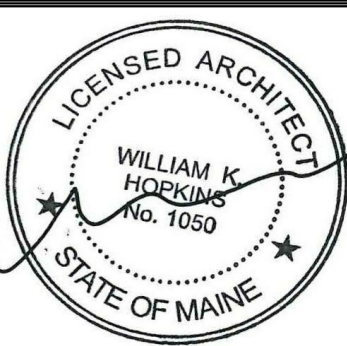
**3 | STAIR A - 2 ND FLOOR PLAN**  
1/4" = 1'-0"



**4 | STAIR A - 1ST FLOOR PLAN**  
1/4" = 1'-0"



**1 | STAIR SECTION**  
1/4" = 1'-0"



Prepared For:

Consultant:

**ARCHETYPE**  
architects  
48 Union Wharf Portland, Maine 04101  
(207) 772-6022 ARCHETYPE@ARCHETYPEPA.COM

Project:  
**84 OAK STREET GARAGE**

Revisions:  
2/28/2018 FOR PERMIT

Date: 2/28/2017  
Scale: 1/4" = 1'-0"  
**STAIR A SECTION AND DETAILS**

**A3.02**