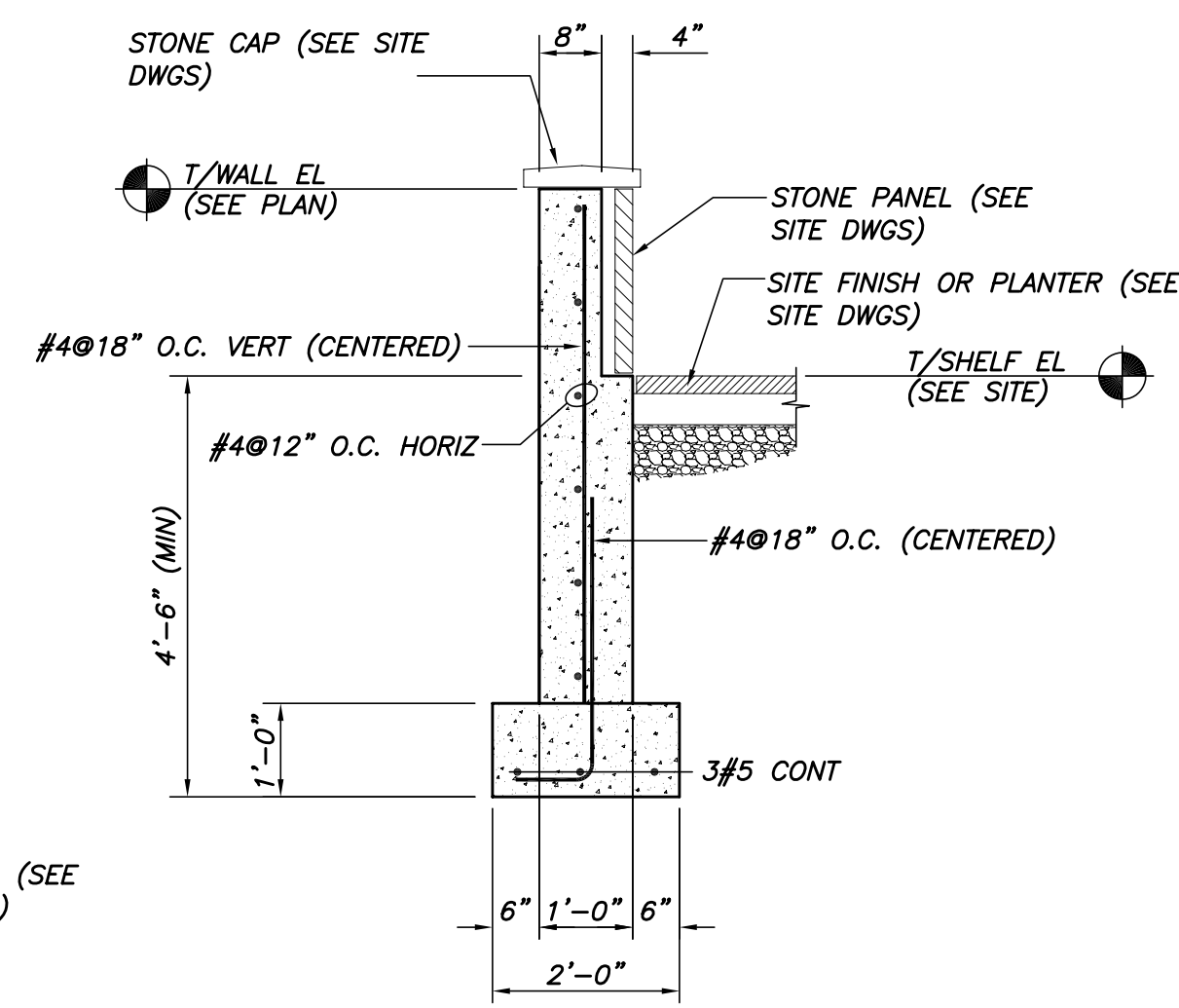
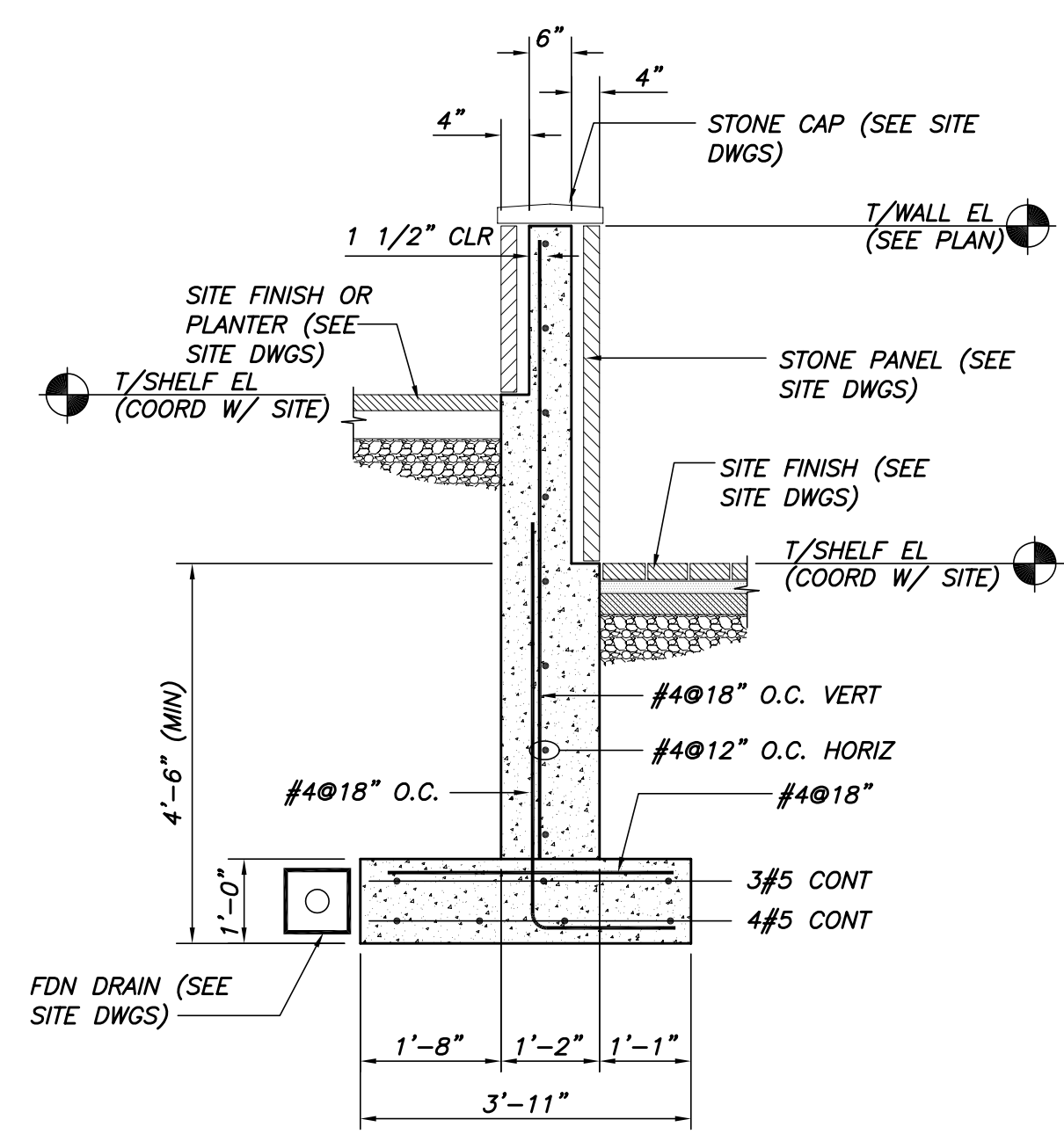


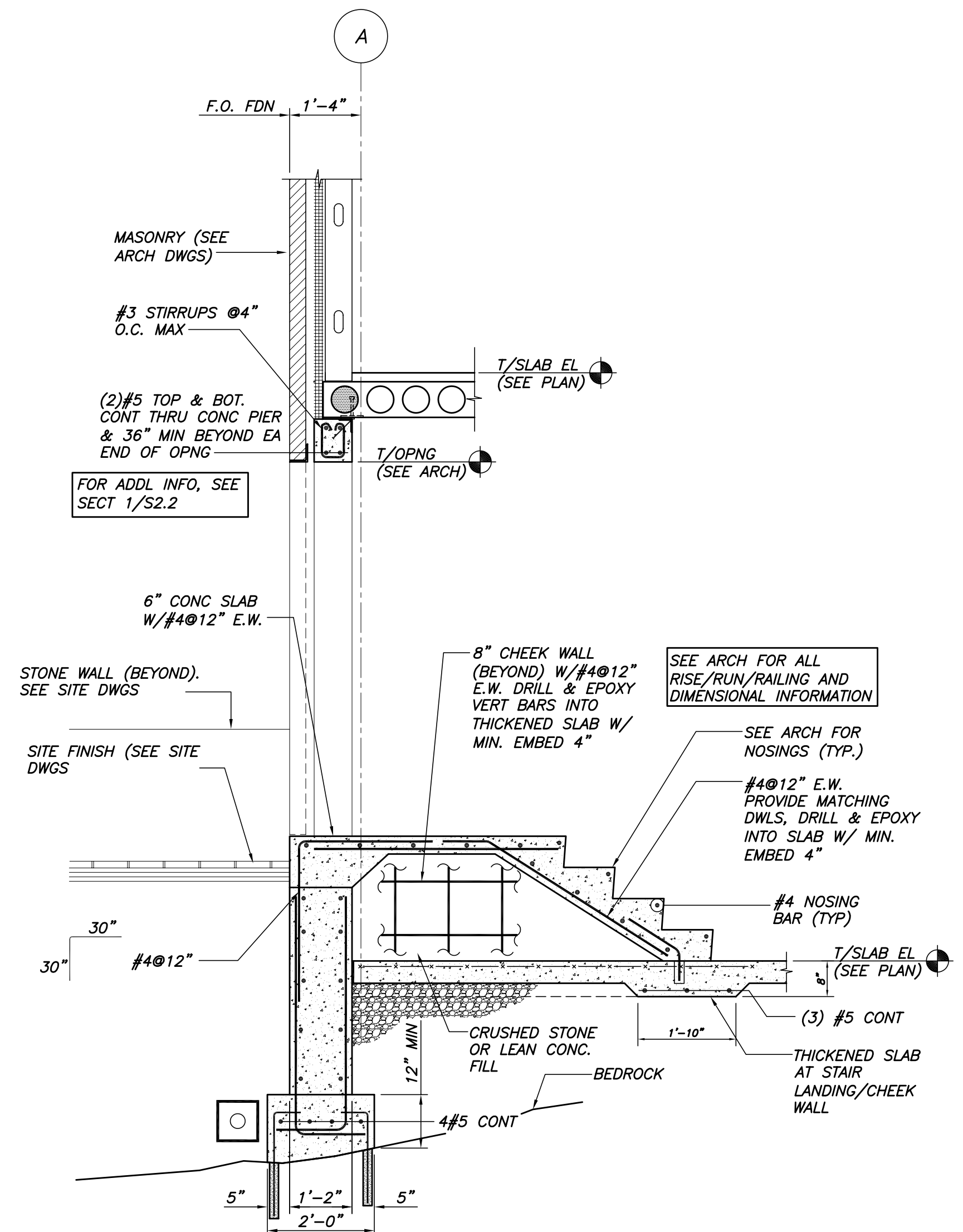
SECTION 1
1/2"=1'-0" S1.1



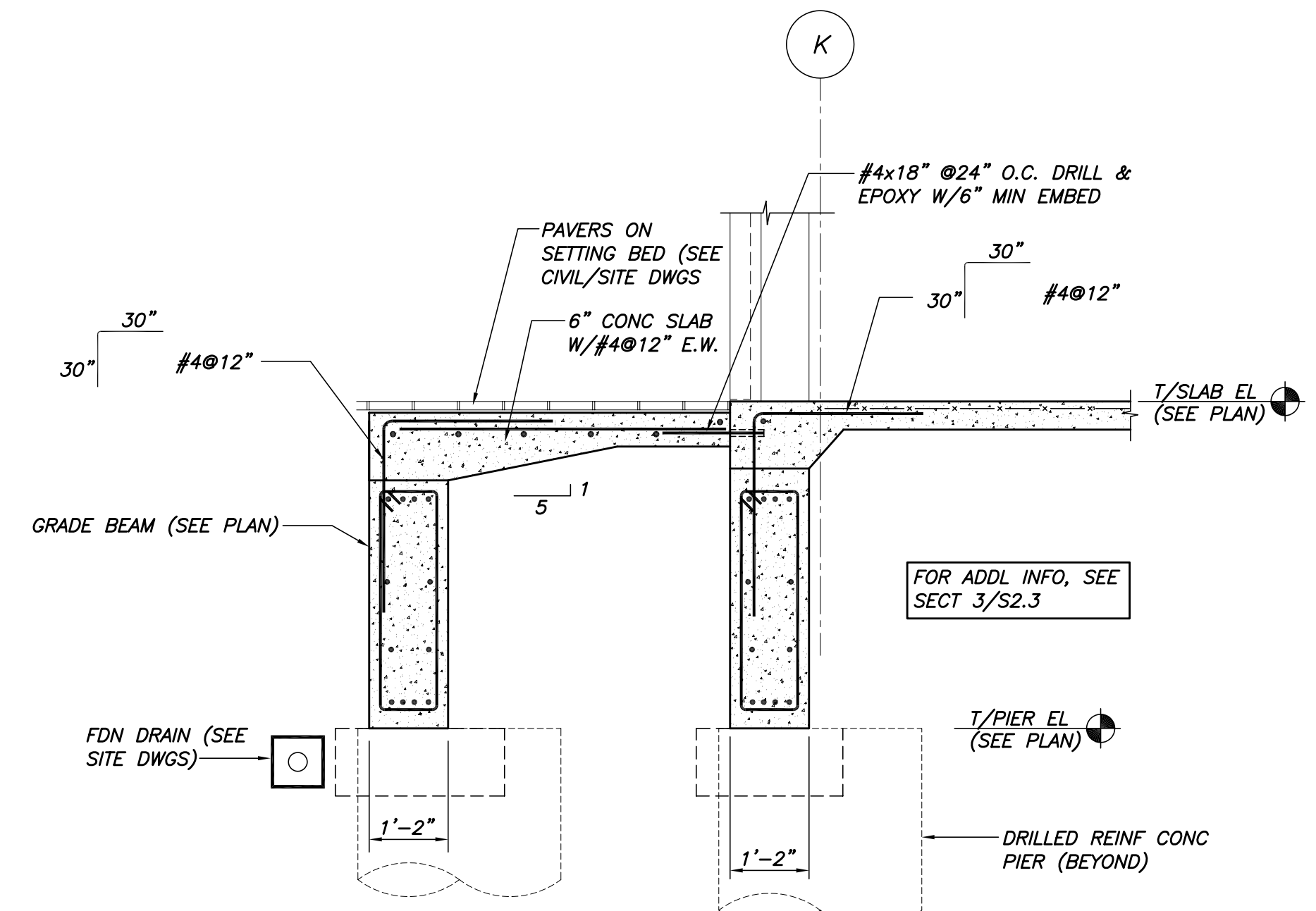
SECTION 2
1/2"=1'-0" S1.1



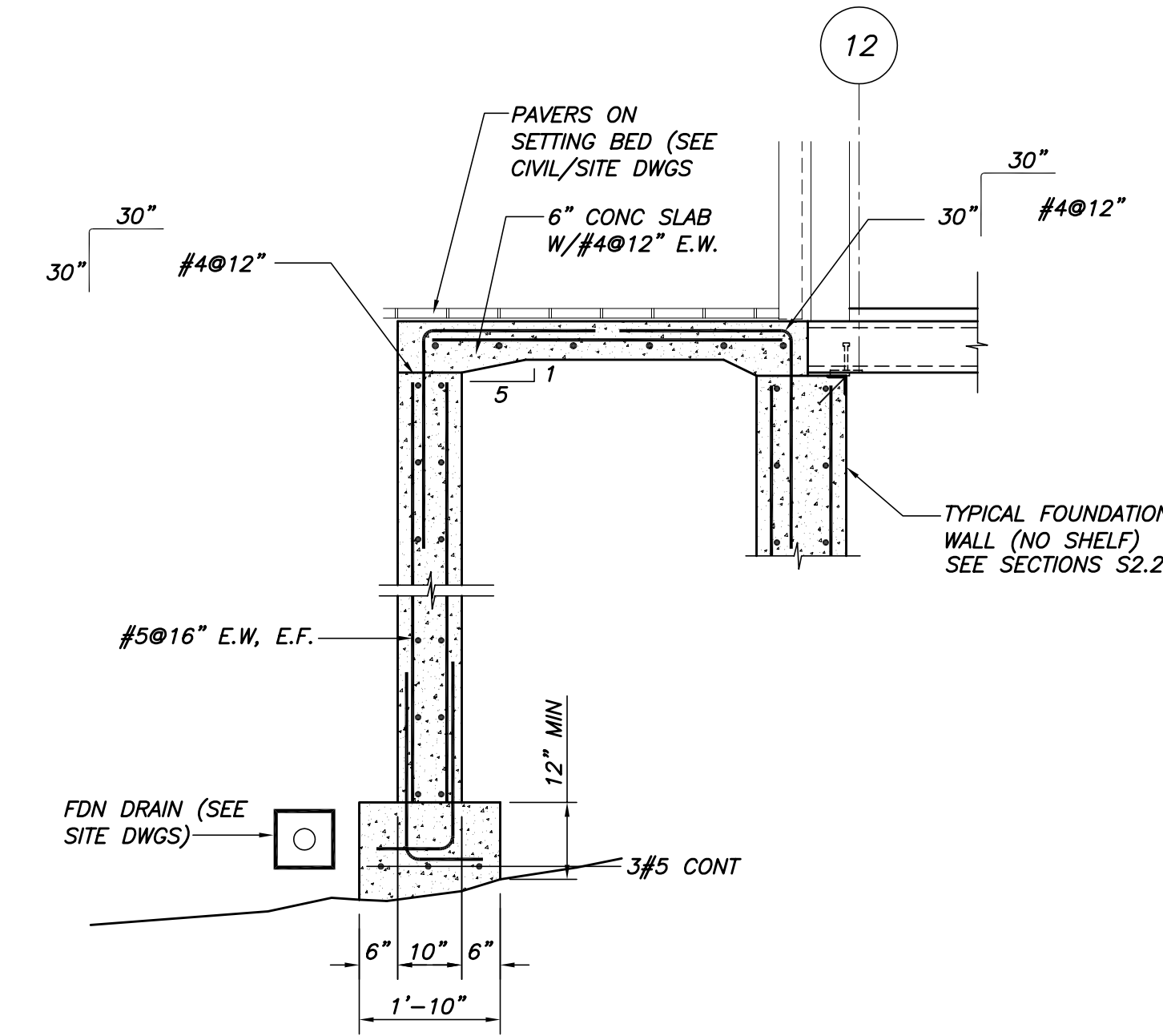
SECTION 3
1/2"=1'-0" S1.1



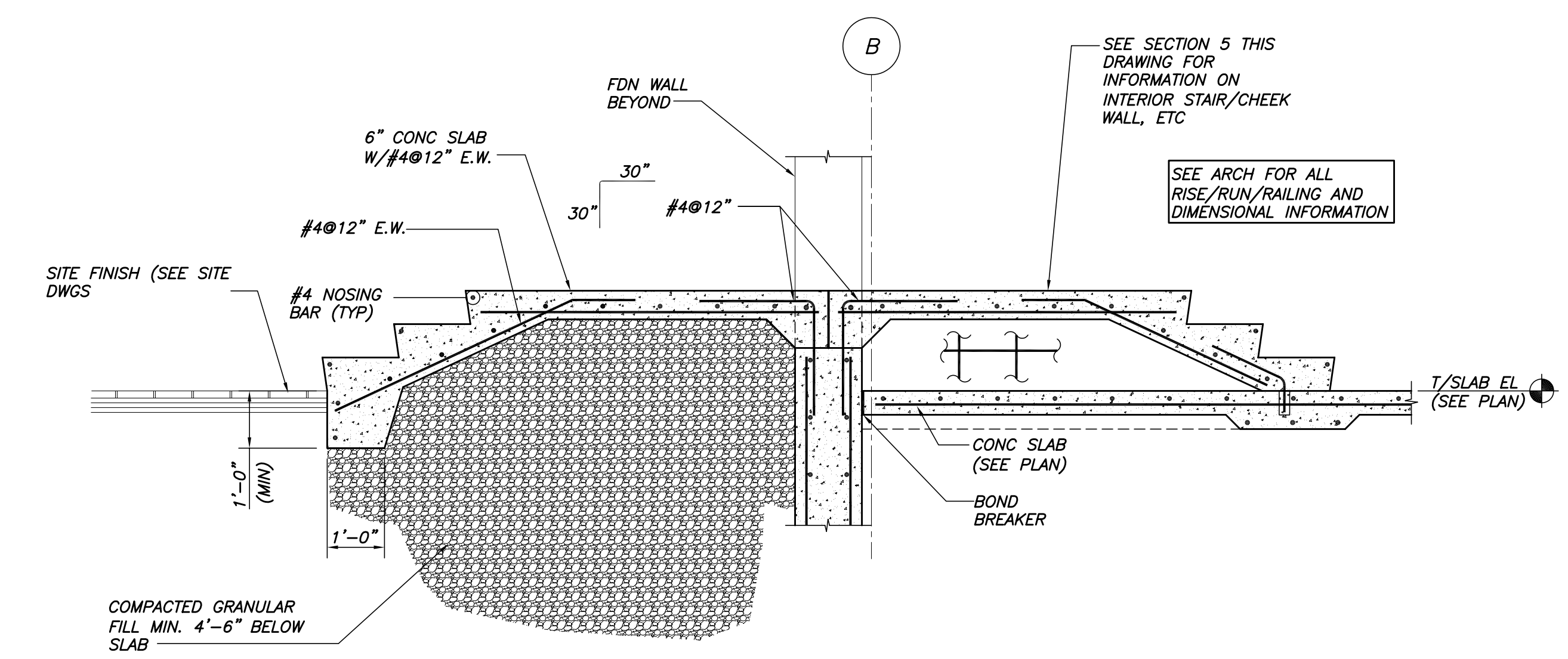
SECTION 5
1/2"=1'-0" S1.1



SECTION 6
1/2"=1'-0" S1.1



SECTION 7
1/2"=1'-0" S1.1



SECTION 8
1/2"=1'-0" S1.1

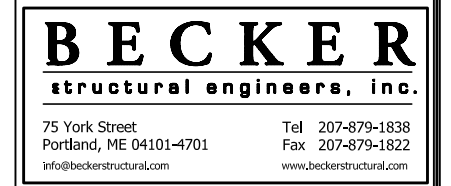


CWS Architects

Architecture
Space Planning
Value Design

434 Cumberland Avenue
Portland, ME 04101
Phone: (207) 774-4441
Fax: (207) 774-4016

www.CWSarch.com



Owner:
WATERVIEW DEVELOPMENT, LLC
477 CONGRESS SREET
PORTLAND, MAINE 04101
(207) 773-3477

Contractor:
ALLIED/COOK CONSTRUCTION
PO BOX 1396
PORTLAND, MAINE 04104
(207) 772-2888

THE WATERVIEW AT BAYSIDE CONDOMINIUM
CUMBERLAND AVE
PORTLAND, MAINE

Project No: 2004.414 WVB

Drawing Title:
CONCRETE SECTIONS & DETAILS

Scale: SCALE: NOTED
Date: PROGRESS 07/15/2005

- Revisions:
- △
 - △
 - △
 - △
 - △

Drawing Number:

S2.5