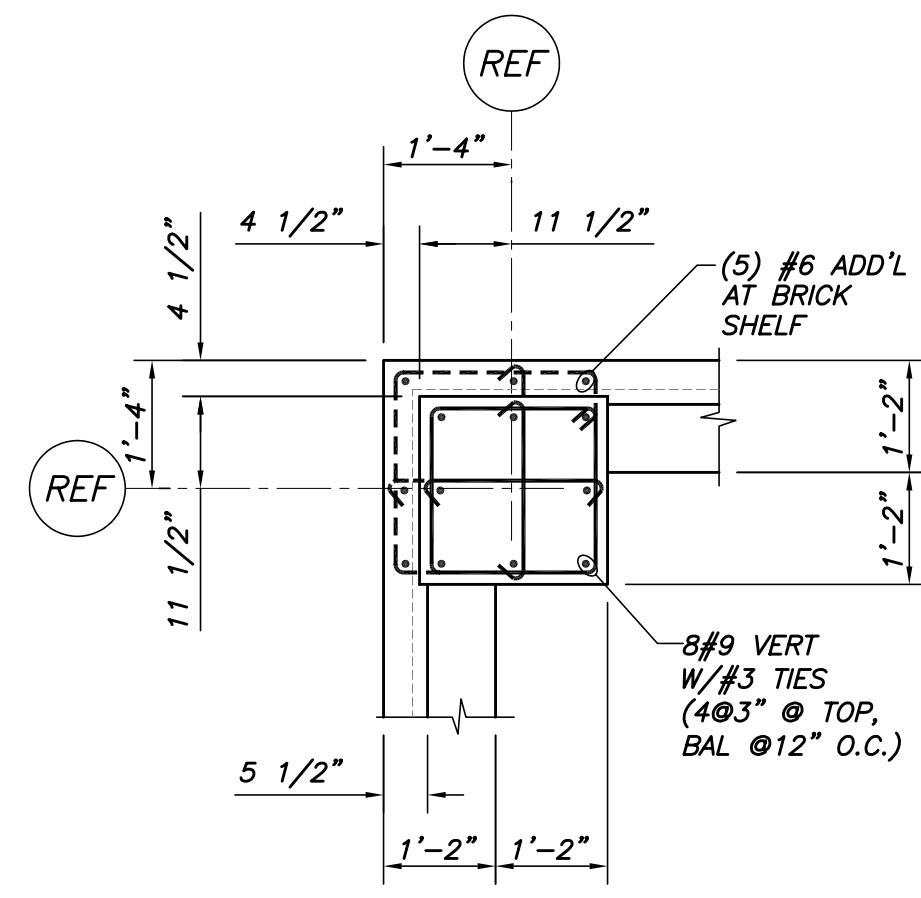
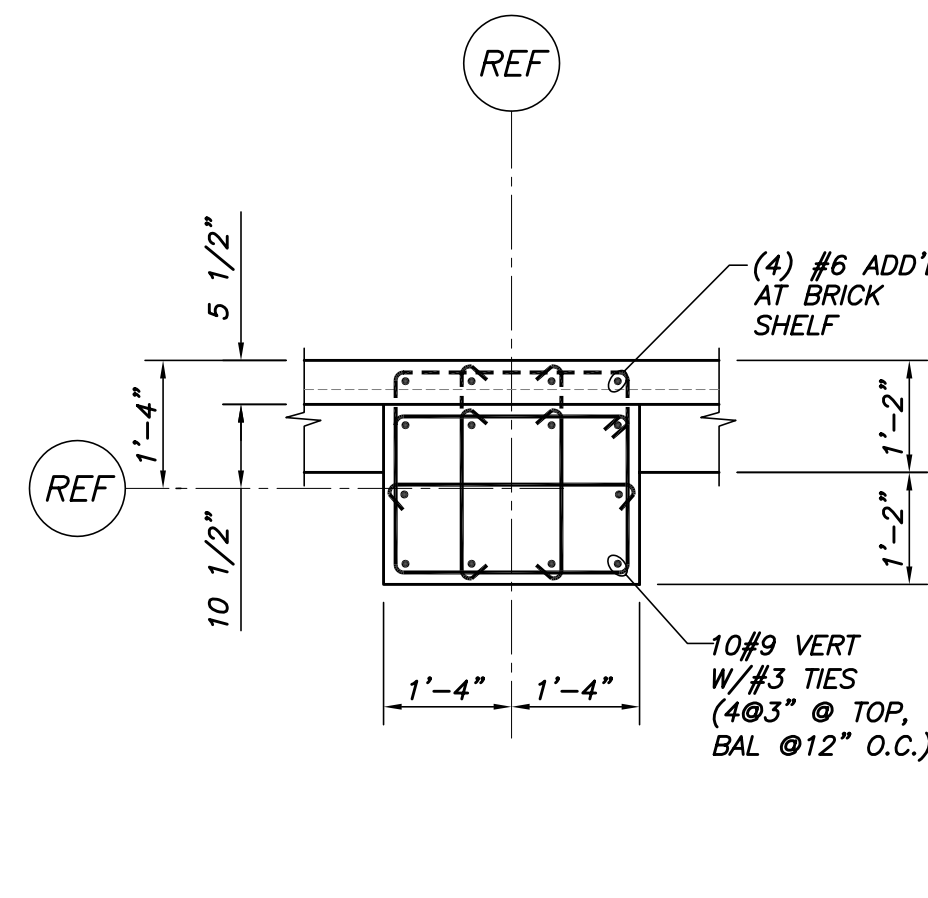


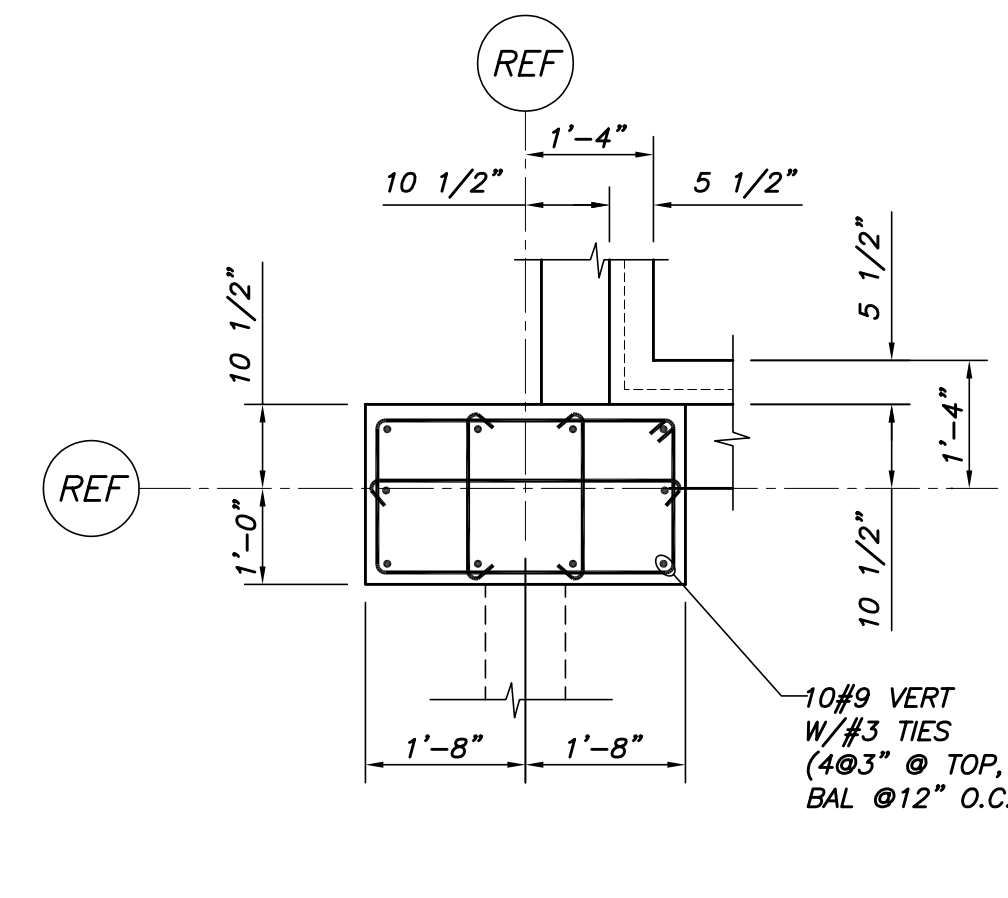
PIER P1



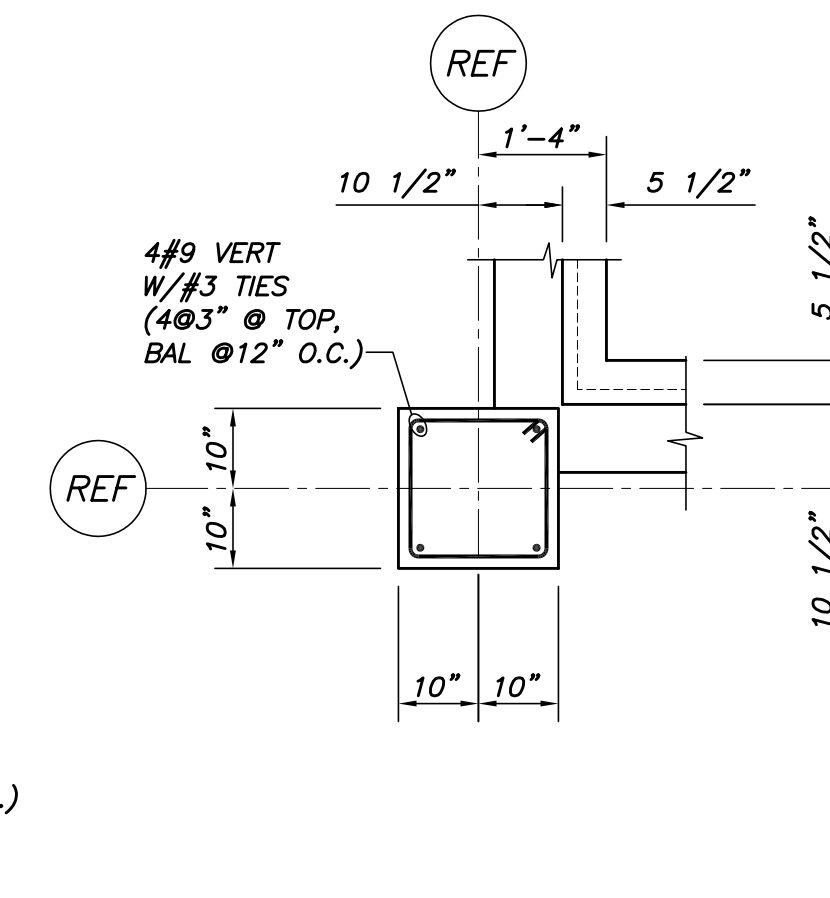
PIER P1A



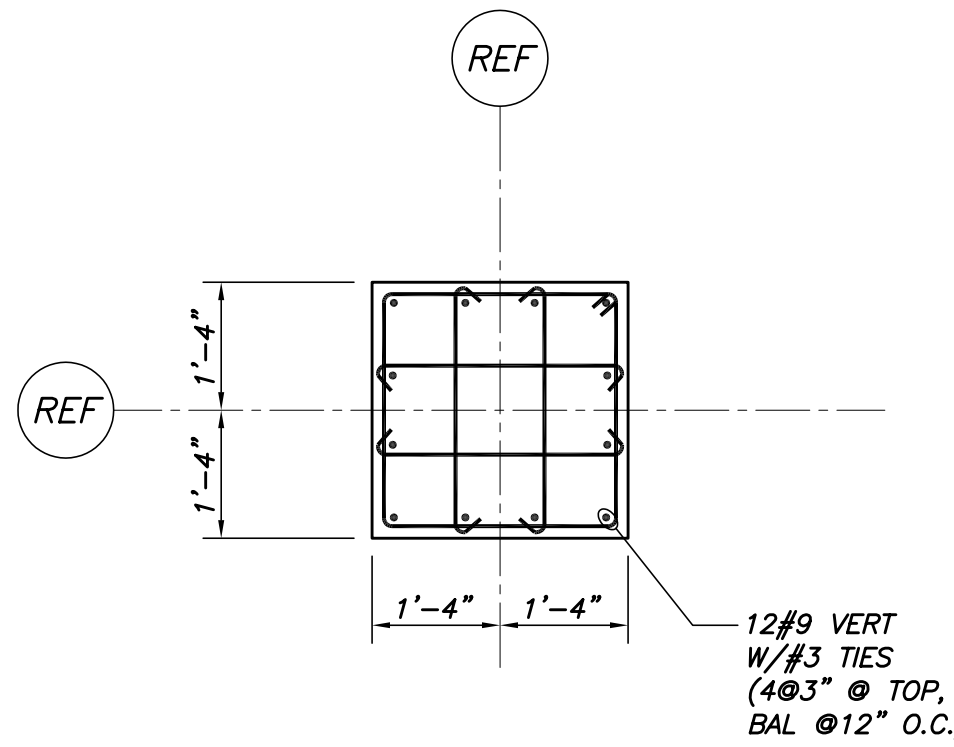
PIER P2



PIER P3

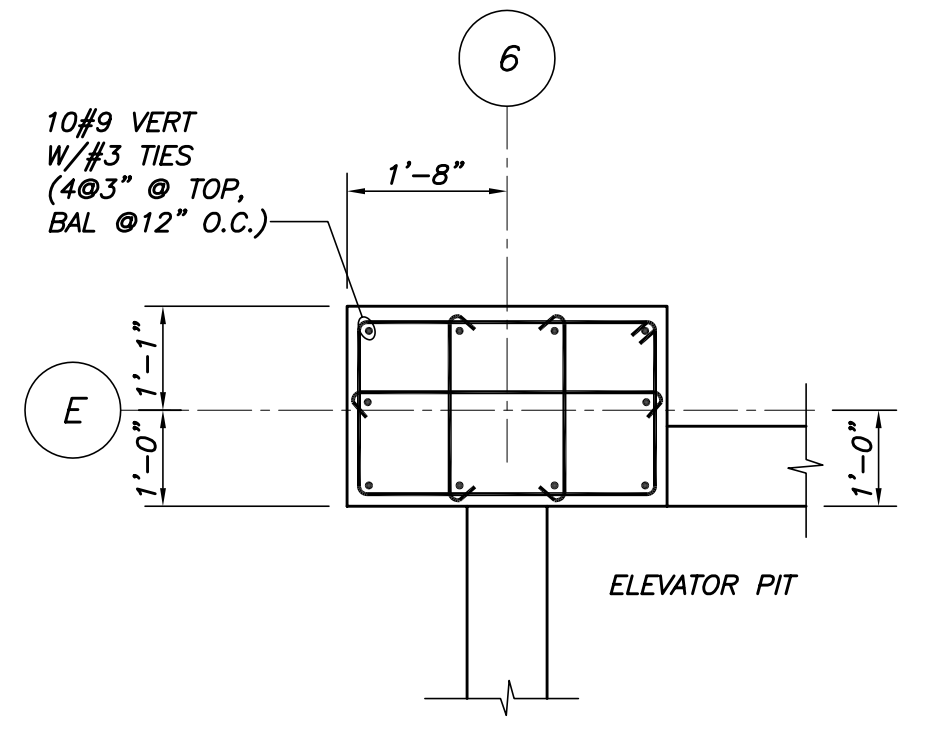


PIER 3A

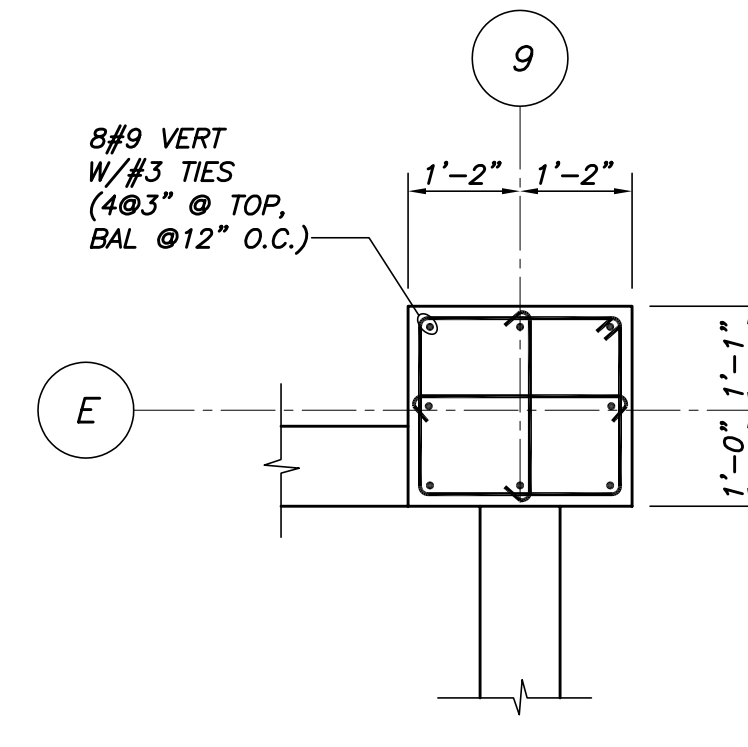


PIER 4

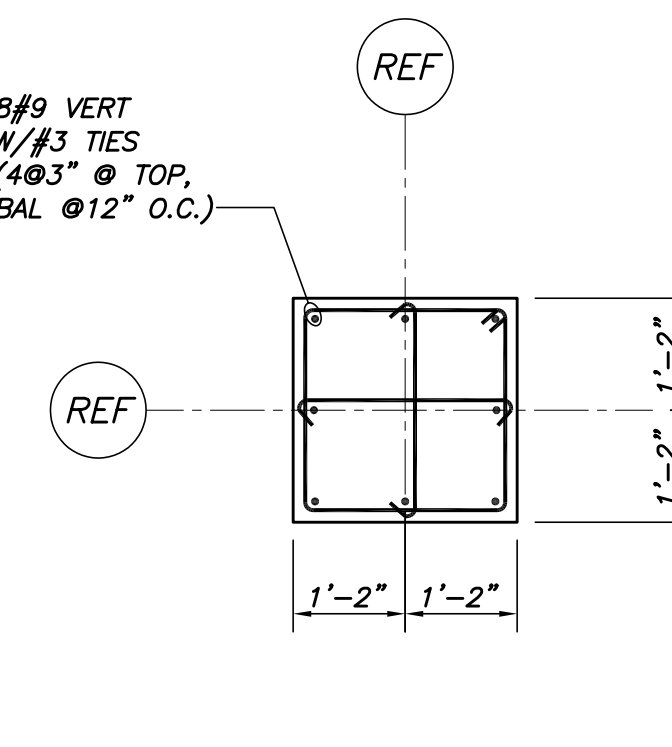
{PIER 5 NOT USED}  
PIER 5



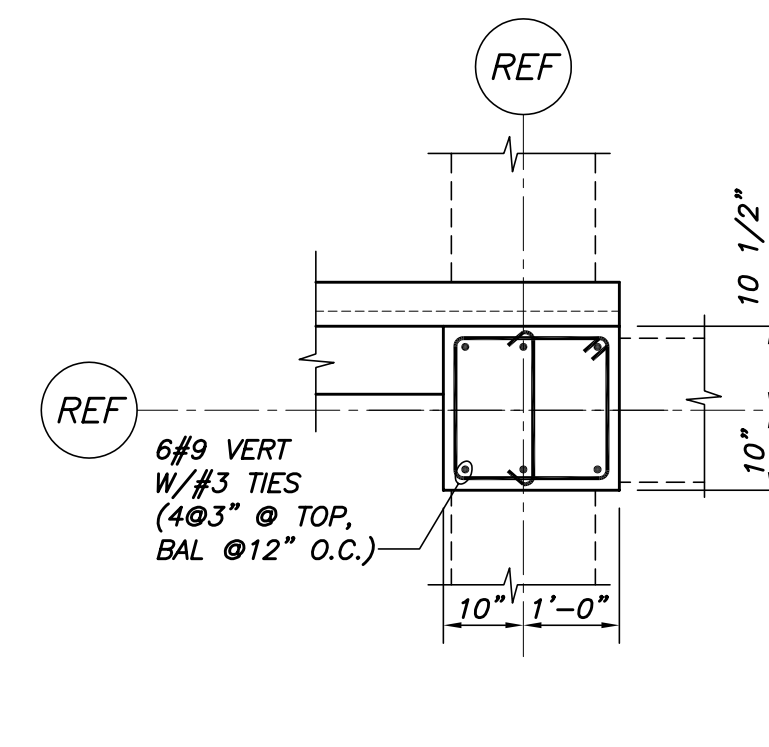
PIER 6



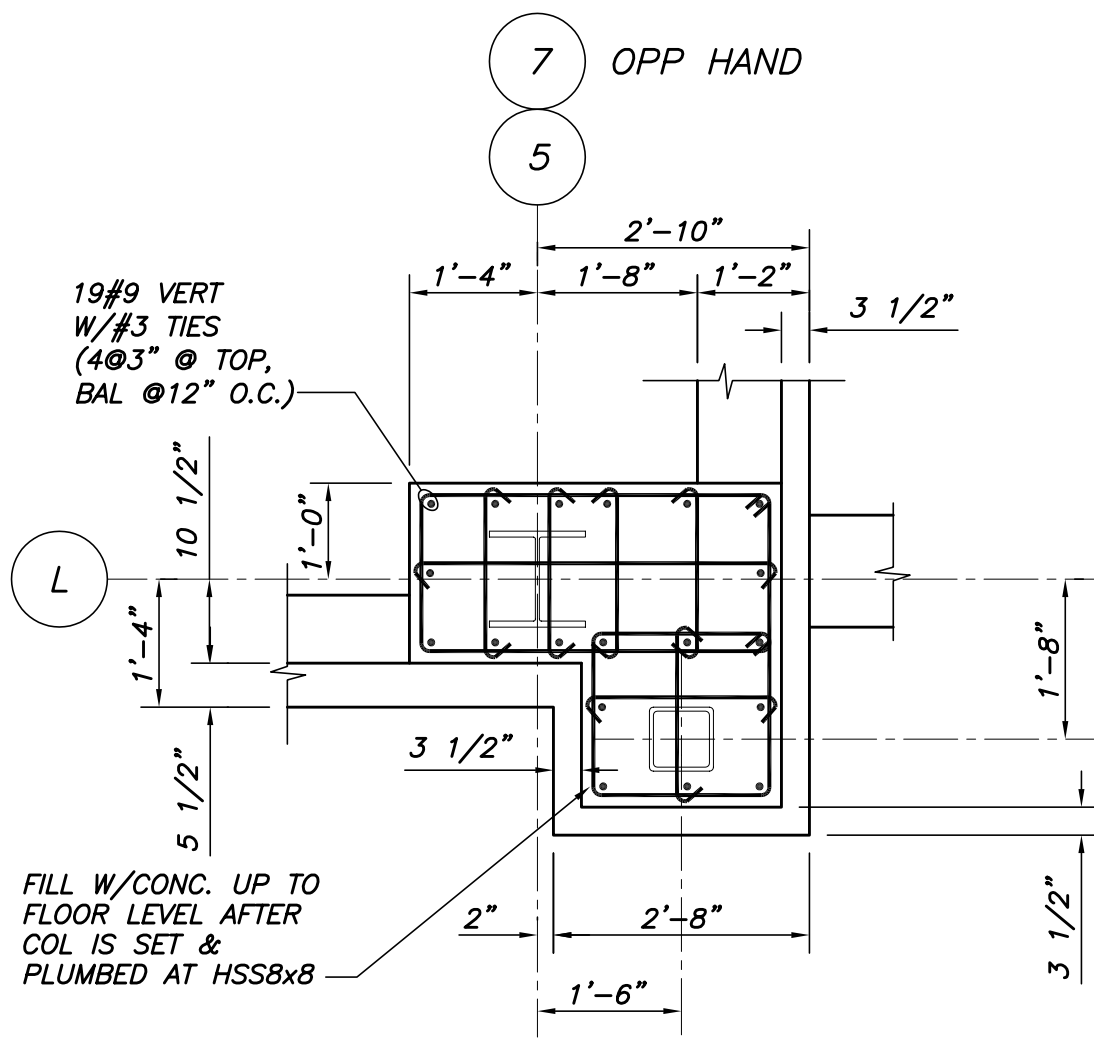
PIER 6A



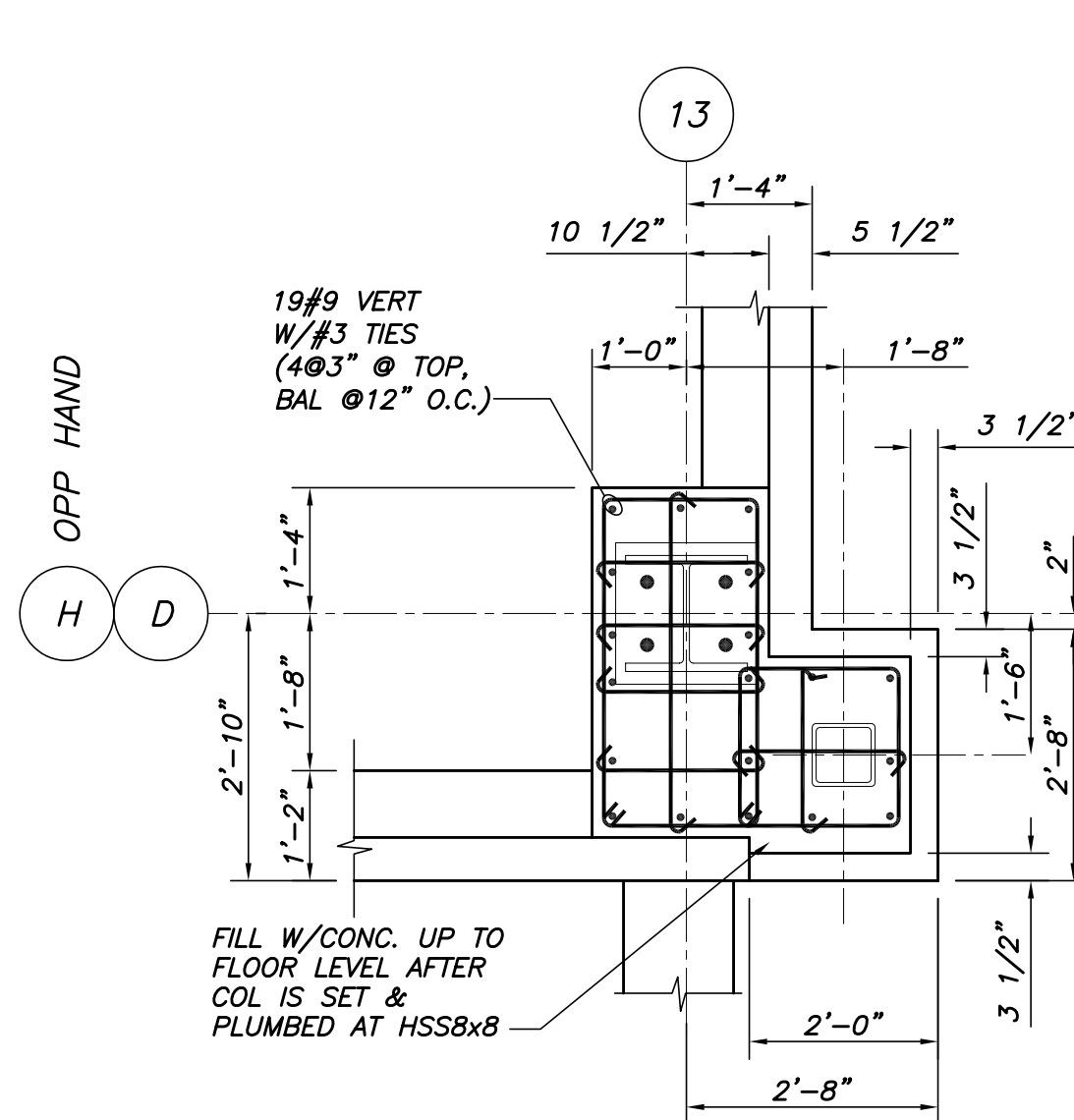
PIER 6B



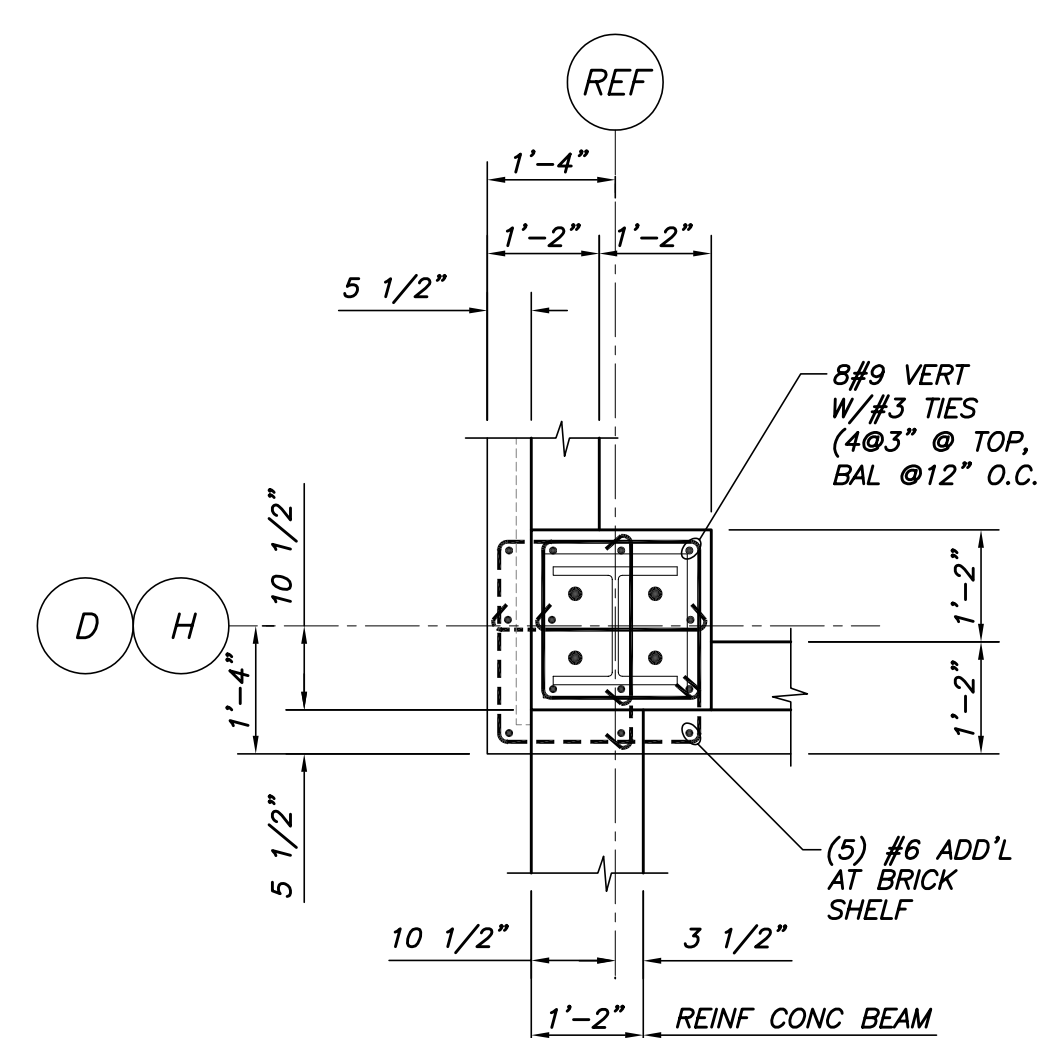
PIER 7



PIER 8



PIER 9



PIER P10

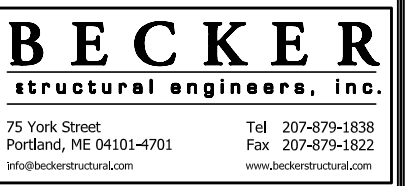


CWS Architects

Architecture  
Space Planning  
Value Design

434 Cumberland Avenue  
Portland, ME 04101  
Phone: (207)774-4441  
Fax: (207)774-4016

www.CWSarch.com



Owner: **WATERVIEW DEVELOPMENT, LLC**

477 CONGRESS SREET  
PORTLAND, MAINE 04101  
(207) 773-3477

Contractor: **ALLIED/COOK CONSTRUCTION**

PO BOX 1396  
PORTLAND, MAINE 04104  
(207) 772-2888

**THE WATERVIEW AT BAYSIDE CONDOMINIUM**

CUMBERLAND AVE  
PORTLAND, MAINE

Project No: 2004.414 WVB

Drawing Title:  
**CONCRETE SECTIONS & DETAILS**

Scale: SCALE: NOTED  
Date: PROGRESS 07/15/2005

- Revisions:
- △
  - △
  - △
  - △
  - △

Drawing Number:

**S2.4**