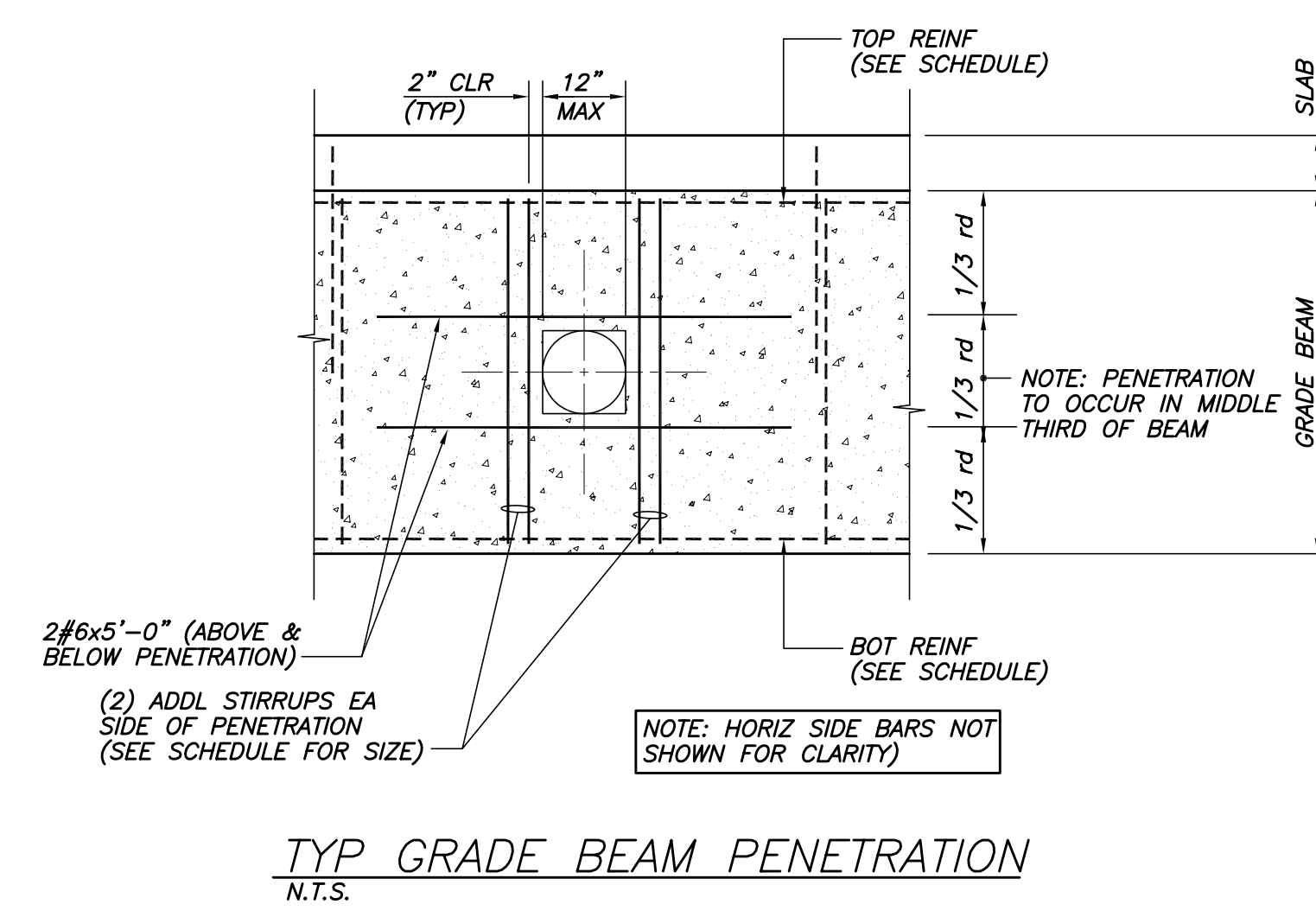
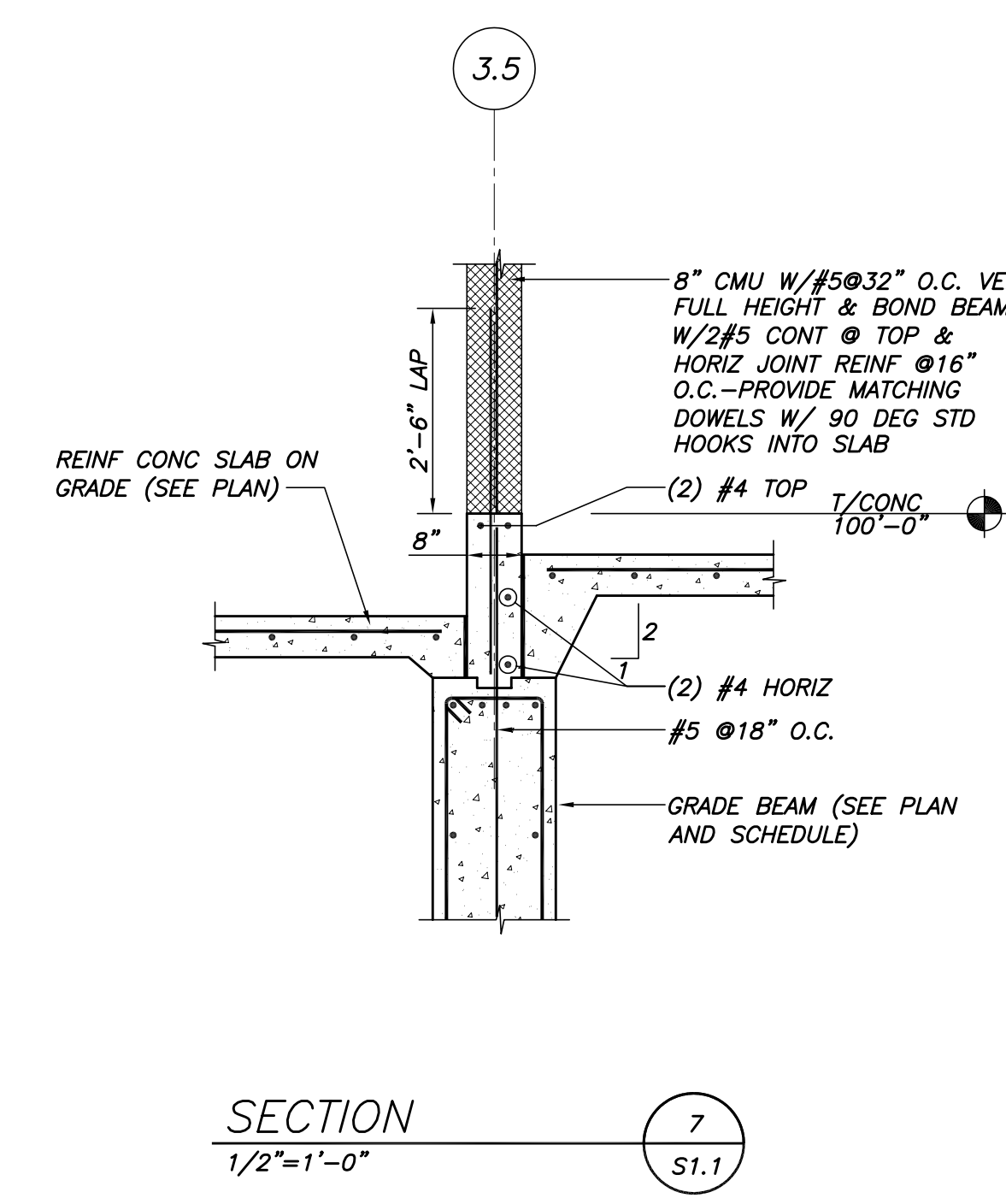
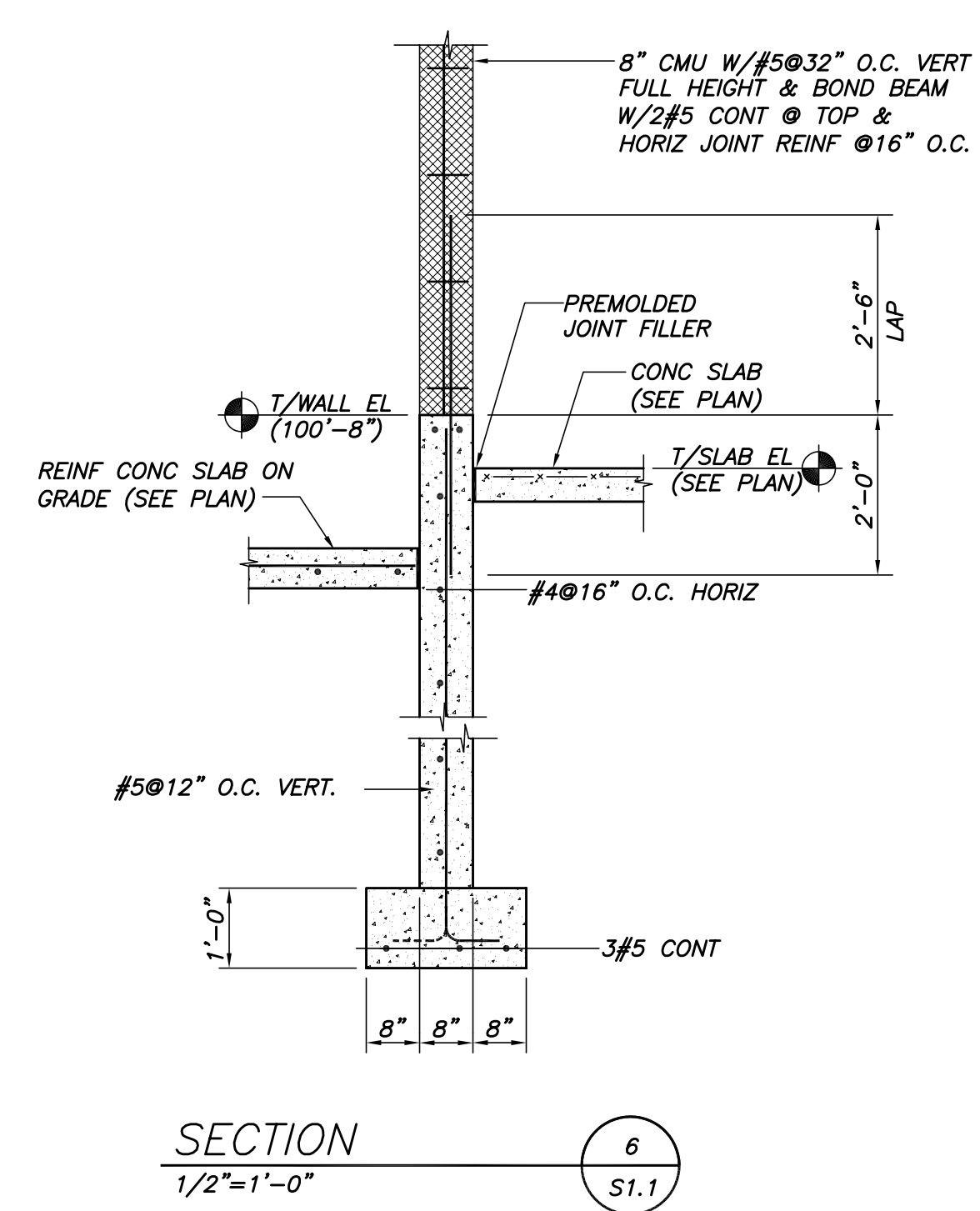
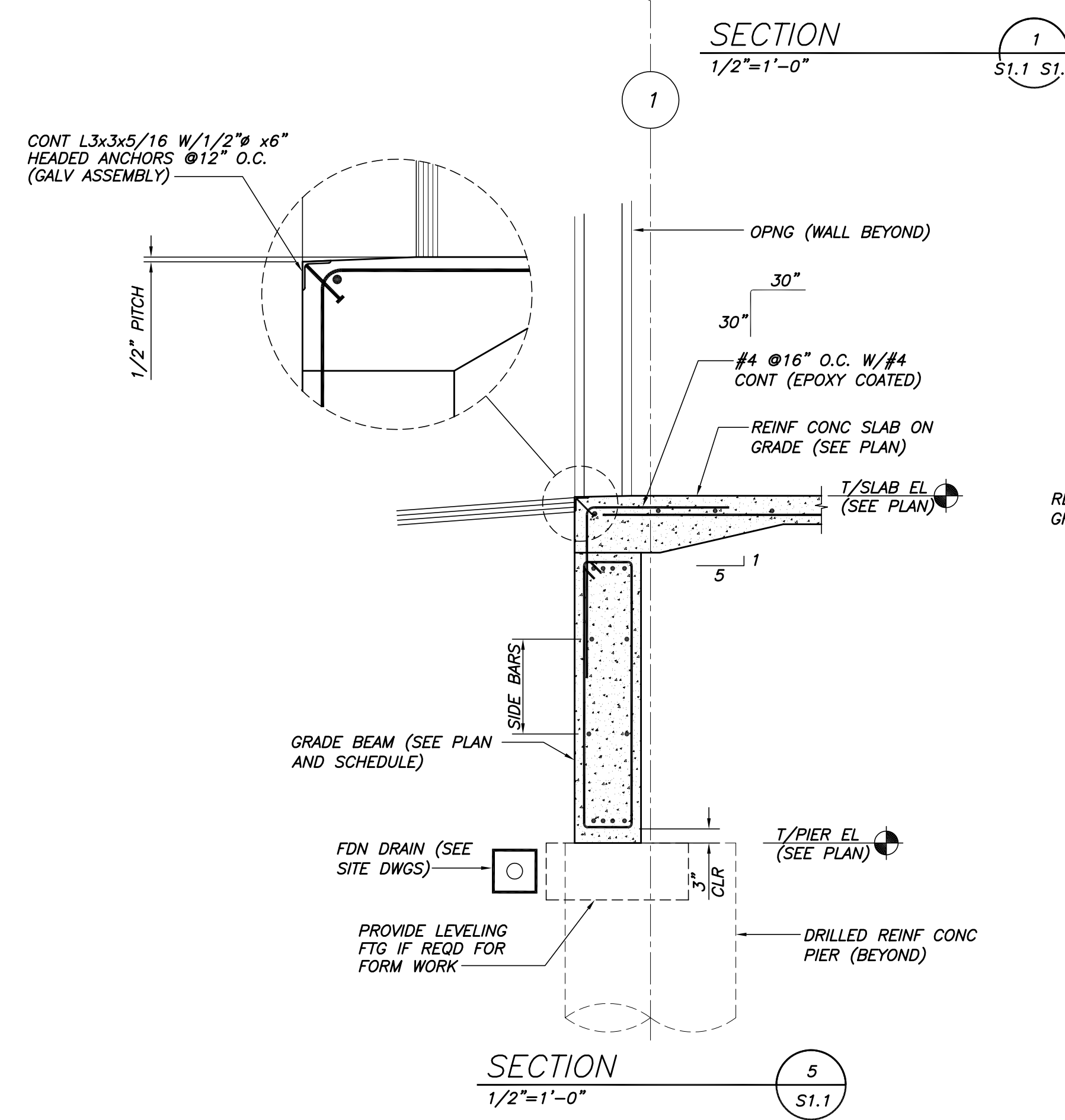


**GRADE BEAM SCHEDULE**

MARK	SIZE		TOP BARS	BOT BARS	STIRRUPS	SIDE BARS	REMARKS
	b	h					
GB-1	18"	VARIES	4#6	4#9	#4 (SEE G.B. DETAILS)	(4) ROWS #4	
GB-2	14"	VARIES	4#6	4#8	#4 (SEE G.B. DETAILS)	(4) ROWS #4	
GB-3							
GB-4							



**CWS Architects**  
 Architecture  
 Space Planning  
 Value Design  
 434 Cumberland Avenue  
 Portland, ME 04101  
 Phone: (207) 774-4441  
 Fax: (207) 774-4016  
 www.CWSArch.com

**BECKER**  
 structural engineers, inc.  
 75 York Street  
 Portland, ME 04101-4701  
 Tel: 207-779-1850  
 Fax: 207-779-9322  
 www.beckerstructural.com

Owner: **WATERVIEW DEVELOPMENT, LLC**  
 477 CONGRESS SREET  
 PORTLAND, MAINE 04101  
 (207) 773-3477

Contractor: **ALLIED/COOK CONSTRUCTION**  
 PO BOX 1396  
 PORTLAND, MAINE 04104  
 (207) 772-2888

**THE WATERVIEW AT BAYSIDE CONDOMINIUM**  
 CUMBERLAND AVE  
 PORTLAND, MAINE

Project No: 2004.414 WVB

Drawing Title: **CONCRETE SECTIONS & DETAILS**

Scale: SCALE: NOTED  
 Date: PROGRESS 07/15/2005

Revisions:

- △
- △
- △
- △
- △

Drawing Number: **S2.3**