

---

**Fwd: FW: 415 SP H3 casement**

---

**Sam Reiche** <reiche.sam@gmail.com>

Mon, Aug 27, 2018 at 10:25 AM

To: Christian Roadman <croadman@portlandmaine.gov>

Christian,

I am following up on my window email with two additional pieces of information. This is for the proposed Unit 15 casement windows, which will be six over six to match the other windows in this brick portion of the building.


I will send the rest of the final window package next. We are hoping to place the order in the next day or so, as soon as you are able to review.

Best,  
Sam

---

**2 attachments**

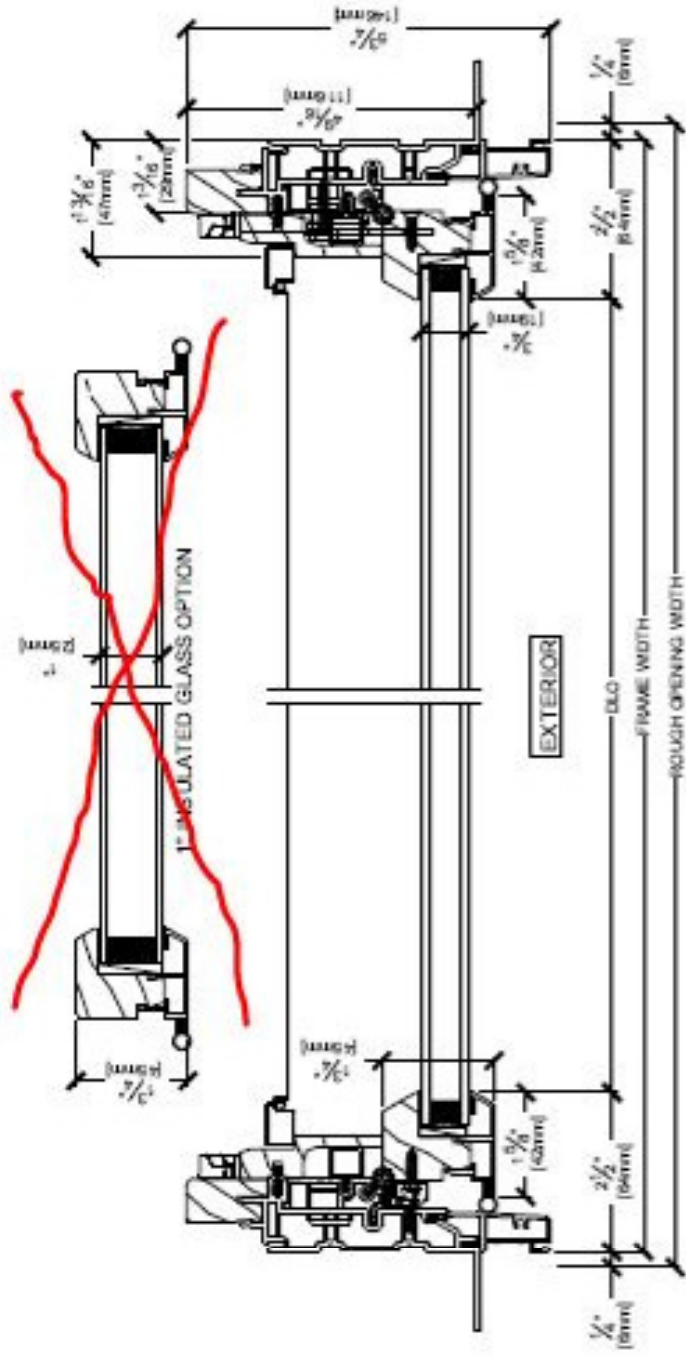
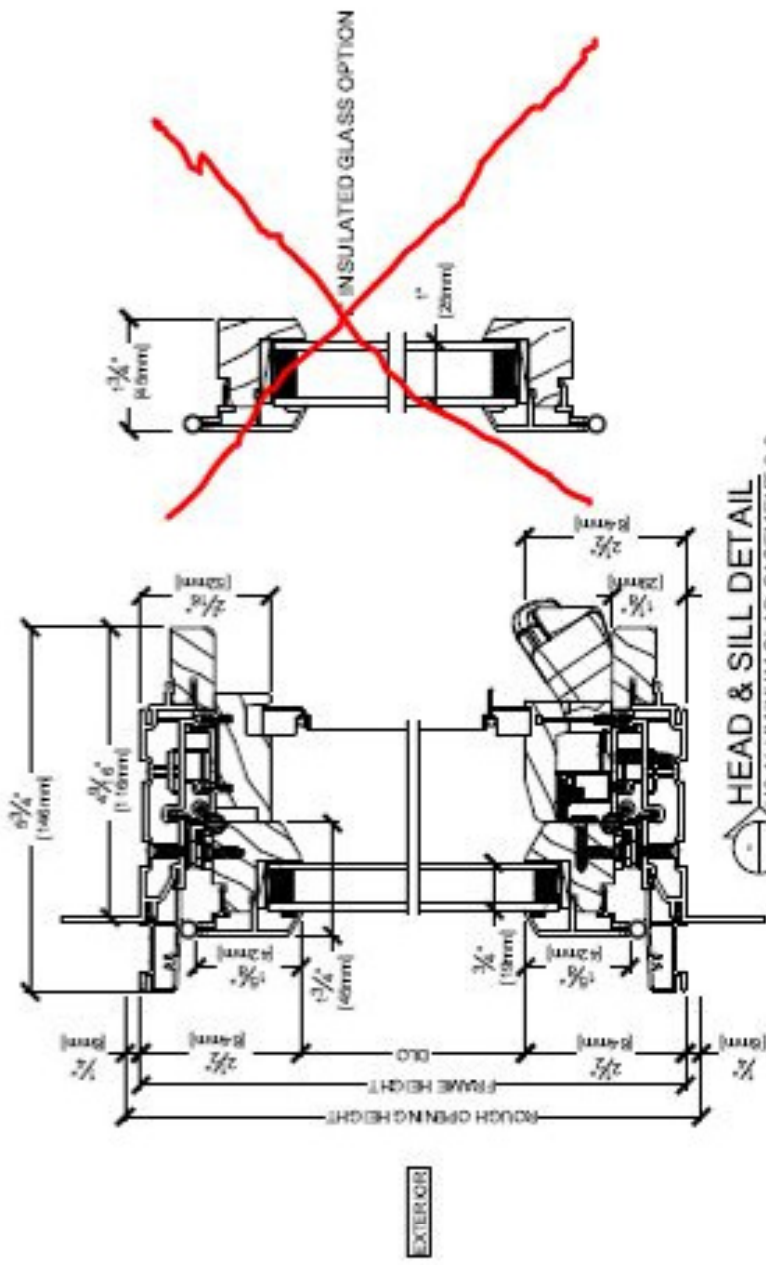
 **SP H3 Casement Section-Head Sill and Jamb.pdf**  
124K

 **2017\_SPW\_H3\_Brochure.pdf**  
3232K

# H3 Aluminum Clad Casement 2.0

Scale: 4" = 1'

## Operating 4 9/16" JAMB



# UPGRADE YOUR EXPECTATIONS WITHOUT UPGRADING YOUR BUDGET.



Christopher Mayer Photography



*High Tech Fusion Technology*



**SIERRA  
PACIFIC**  
WINDOWS



# STILL "THE MOST INNOVATIVE WINDOW OF THE YEAR."

## H3



When we introduced our advanced H3 window, Window & Door magazine gave it the Crystal Achievement Award for innovation. Since then, all we've done is make it even better. At the core of the H3 is our patented Fusion Technology™. It integrates three perfect materials - extruded aluminum, vinyl and solid wood - into one perfect window. This unique fusion results in improved energy efficiency & performance, noticeably enhanced aesthetics, an extreme seal, and easier installation.

## YET ANOTHER INNOVATION FIRST FOR H3.

Already one of the industry's best performers, we're introducing another enhancement to our H3 Series: the patent-pending H3 Accessory Frame with four available profiles.

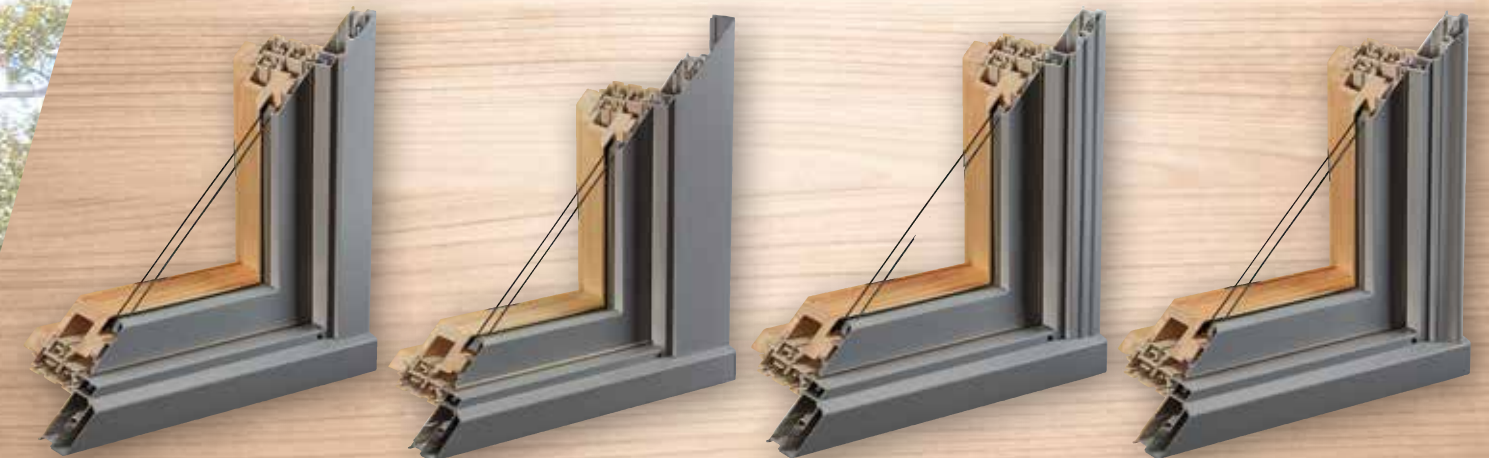


2" Flat Casing

3.5" Flat Casing

2" Brickmould

2" Ovalo



Here's how it works and what it means:

It's an entirely different frame cladding profile that is applied to H3's vinyl core with integral nailing fin. The system includes four cover options that slide onto the frame and snap in place with a clip system. So, no through-frame anchor installs or excessive nail holes. Instead, you use the same integral nailing fin that has made the H3 an installation and performance leader, and you gain an integrated frame that gives homeowners the flexibility to choose the aesthetic they want.

If there's a need for box mulls or other adaptations in the field, we've also created a new set of H3 add-ons with the same profiles, so everything will match beautifully. Simply put, the H3 Accessory Frame is another game changer.



# NOBODY'S EVER BUILT A CASEMENT LIKE THIS BEFORE.

## H3



## H3 AWNING WINDOW

Like all our products, Sierra Pacific awning windows are custom made, by hand, to your exact specifications. We think you'll notice the difference in how they look and how they perform.

Awning windows are a great choice when you want the fresh air of an open window even if it's raining. Our awning windows are commonly used alone or combined underneath a large picture window to provide ventilation.



Now available in our FeelSafe impact line.

Solid wood interior for warmth, beauty and thermal insulation with 4-9/16" standard jamb depth. Not just a veneer like some windows. Select ponderosa pine is standard. Available natural, primed, or factory finished, and in 8 other wood species.

Seamless factory mull system stops water with integral continuous head and sill mulls.

Extra-strong 0.078" vinyl base frame for superior rigidity, tight corners, total protection against rot, and enhanced resistance to air or water leaks. No vinyl components are visible when window is closed.

Proprietary patented Fusion Technology™ integrates 3 perfect materials into 1 perfect window.

Thicker, stronger extruded aluminum cladding. Ours is at least twice as thick as competitors' roll-form cladding for greater durability and dent resistance.

Innovative snap-lock design means no unsightly screws or fasteners on the interior. Only minor nail holes to fill in the screen track.

Protected to the core against water and rot with our exclusive patented CoreGuard™ wood treatment.

Available with simulated divided lite grilles or our grilles between the glass.

Top of the line Encore handle and operating hardware are standard.

Premium weatherstripping.

Custom sizing to 1/8" available.

Revolutionary patent-pending H3 Accessory Frame integrates with nail fin to allow easy install of four different profiles with no additional nailing.

Integral rigid nailing fin for greater structural integrity, improved water barrier and easy installation. The H3 virtually eliminates racking problems.

Mix and match the H3 with our premium line to help stay within budget.

Sealed and mitered corners outside, non-mitered inside. Architectural sash setback of 1-1/8".

Choose from nine species of interior wood.



# NOBODY'S EVER BUILT A DOUBLE HUNG LIKE THIS BEFORE.

H3



Now available in our FeelSafe impact line.



Solid wood interior for warmth, beauty and thermal insulation with 4-9/16" standard jamb depth. Not just a veneer like other mid-priced windows. Select ponderosa pine is standard. Available natural, primed, or factory finished, and in 8 other wood species.

Extra-strong 0.078" vinyl base frame for superior rigidity, tight corners, total protection against rot and enhanced resistance to air or water leaks.

Protected to the core against water and rot with our exclusive, patented CoreGuard™ wood treatment.

Proprietary patented Fusion Technology™ integrates 3 perfect materials into 1 perfect window.

Innovative snap-lock design means no unsightly screws or fasteners on the interior.

Revolutionary patent-pending H3 Accessory Frame integrates with nail fin to allow easy install of four different profiles with no additional nailing.

Low profile surface mounted lock with easy to operate lever.

Integral rigid nailing fin for greater structural integrity, improved water barrier and easy installation. The H3 virtually eliminates racking problems.

Available for new construction applications with an integral nailing fin or as an insert window for replacement applications.

Choose from nine species of interior wood.

Concealed jambliner just like on our custom built, high end windows.

Easy-tilt sash for easy cleaning.

Premium weatherstripping.

Custom sizing to 1/8" available.

Mix and match the H3 with our premium line to help stay within budget.

Available with simulated divided lite grilles or our grilles between the glass.

Sealed and mitered corners outside, non-mitered inside.

Seamless factory mull system stops water with integral continuous head and sill mulls.

Thicker, stronger extruded aluminum cladding. Ours is at least twice as thick as competitors' roll-form cladding for greater durability and dent resistance.



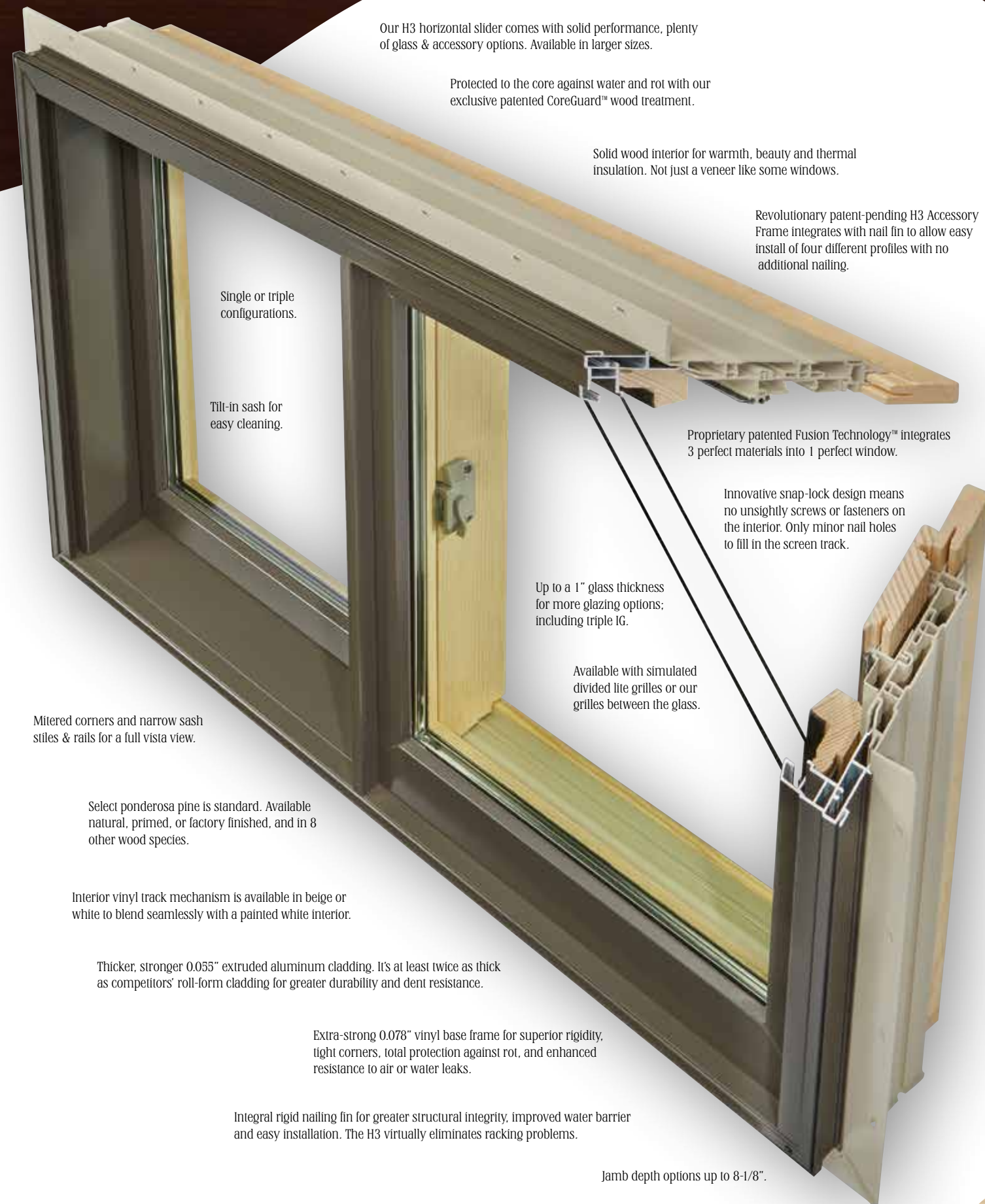
# NOBODY'S EVER BUILT A SLIDER LIKE THIS BEFORE.

**H3**



Our H3 easy-glide slider is a welcome addition to our option-rich, easy-tilt double hung, and our casement and awning windows. Depending on design and operational preference, each is an exceptionally smart choice for new construction or window replacement.

Standard teflon gliding mechanism. Optional precision stainless steel rollers.



Our H3 horizontal slider comes with solid performance, plenty of glass & accessory options. Available in larger sizes.

Protected to the core against water and rot with our exclusive patented CoreGuard™ wood treatment.

Solid wood interior for warmth, beauty and thermal insulation. Not just a veneer like some windows.

Revolutionary patent-pending H3 Accessory Frame integrates with nail fin to allow easy install of four different profiles with no additional nailing.

Single or triple configurations.

Tilt-in sash for easy cleaning.

Proprietary patented Fusion Technology™ integrates 3 perfect materials into 1 perfect window.

Innovative snap-lock design means no unsightly screws or fasteners on the interior. Only minor nail holes to fill in the screen track.

Up to a 1" glass thickness for more glazing options; including triple IG.

Available with simulated divided lite grilles or our grilles between the glass.

Mitered corners and narrow sash stiles & rails for a full vista view.

Select ponderosa pine is standard. Available natural, primed, or factory finished, and in 8 other wood species.

Interior vinyl track mechanism is available in beige or white to blend seamlessly with a painted white interior.

Thicker, stronger 0.055" extruded aluminum cladding. It's at least twice as thick as competitors' roll-form cladding for greater durability and dent resistance.

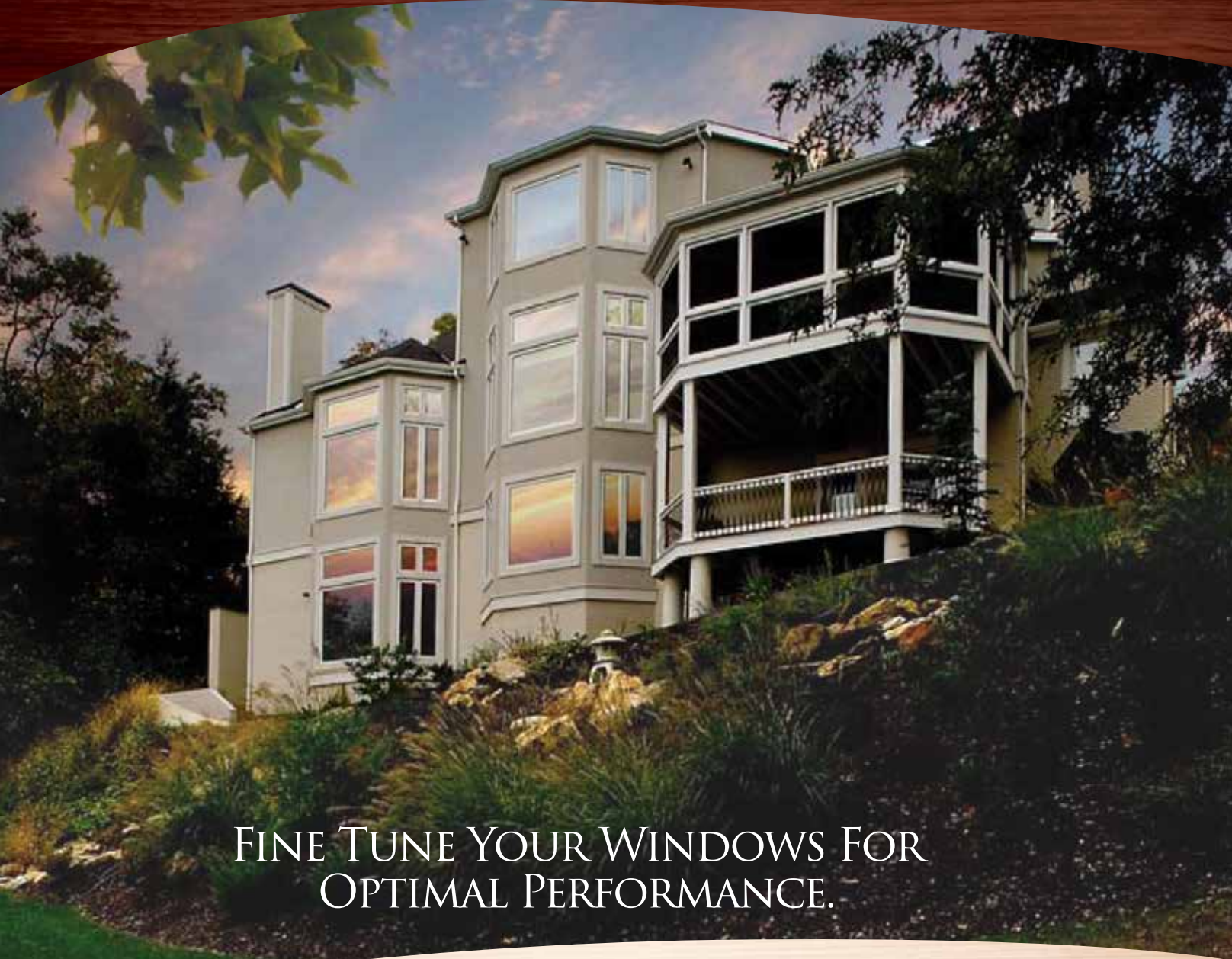
Extra-strong 0.078" vinyl base frame for superior rigidity, tight corners, total protection against rot, and enhanced resistance to air or water leaks.

Integral rigid nailing fin for greater structural integrity, improved water barrier and easy installation. The H3 virtually eliminates racking problems.

Jamb depth options up to 8-1/8".



# HIGH PERFORMANCE GLAZING OPTIONS.



## FINE TUNE YOUR WINDOWS FOR OPTIMAL PERFORMANCE.

What's the best glazing for your replacement windows and patio doors? Obviously, what's best for a freezing northern winter is not necessarily right for a hot southern summer. We have the answer. With one of the broadest selections of glazing options in the window industry, Sierra Pacific lets you choose exactly the right performance glass for your exact weather and environmental conditions.

You can choose glazing to improve your energy efficiency and lower your energy bills. You can capture the sun's heat, or reflect it. You can also reduce outside noise, block the sun's damaging UV rays, or even enhance your privacy.



### Low-E 366



Cardinal's triple layer silver product with their exclusive XL Edge Spacer for superior performance. 95% UV protection. Solar heat gain coefficient of 0.27\*. Also available with Preserve® protective film or with Preserve and Neat® coating for a naturally cleaner glass.\*\*

### Low-E 366 with i89 Coating\*\*



The same superior performance as regular Low-E 366 (above), but with the addition of i89 coating on the interior surface to increase insulating value and reduce solar heat gain. Meets even the most extreme requirements in the majority of the Canadian Energy Star zones. Also available with Preserve protective film or with Preserve and Neat coating.\*\*

### Low-E 340



Cardinal's newest glazing innovation. It has an amazingly low 0.18\* solar heat gain coefficient to keep out the heat even in the blazing sun. Slightly tinted. Blocks 98% of UV rays. Less heat gain when it's hot, less heat loss when it's cold, and maximum glare control. Also available with Preserve protective film or with Preserve and Neat coating.\*\*

### Low-E 180 Passive Solar



A very high (0.70\*) coefficient for capturing solar heat gain. Ideal for reducing your heating bills in colder climates. Superior insulation value blocks cold and keeps in the heat. Also available with Preserve protective film or with Preserve and Neat coating.\*\*

### Low-E 180 Passive Solar with i89 Coating\*\*



The same superior performance as regular Low-E 180 (above), but with the addition of i89 coating on the interior surface to increase insulating value. Meets even the most extreme requirements in the majority of the Canadian Energy Star zones. Also available with Preserve protective film or with Preserve and Neat coating for a naturally cleaner glass.\*\*

### Dual or Triple Pane Low-E



Insulated for improved energy efficiency. Single surface low-E coating to reduce solar heat gain and block UV rays.

### Insulated Glass



For moderate climates. Basic glazing with basic performance.

### Sound Control

Reduces outside noise by as much as 50% while blocking 99% of damaging UV rays. Laminated for shatter resistance. Available insulated or non-insulated.

### FeelSafe® Insulated Low-E with or without Sea Turtle Glazing



Protect your home and our sea turtle population. FeelSafe windows and patio doors are engineered inside and out to resist hurricane-force winds, pounding rain, wind-borne debris, and rapid pressure changes that could implode your home or literally blow off the roof. Available in low-E, low-E 366 or low-E 340.

### FeelSafe® Laminated with or without Sea Turtle Glazing



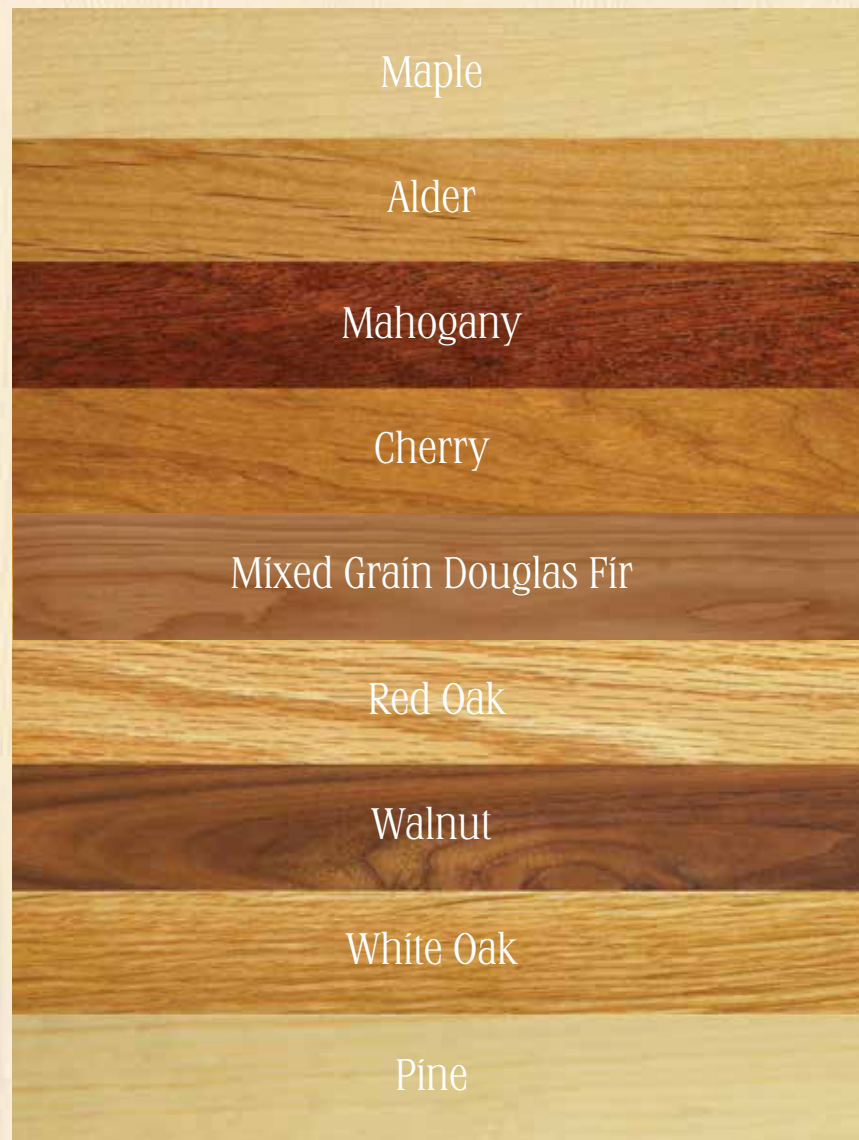
For moderate climates, our non-insulated, shatter-resistant FeelSafe glass provides the utmost security—whether your concern is severe storms or intruders. Also available in low-E 366 or low-E 340.

\*All values shown are center of glass. \*\*Interior surface coatings, also known as surface #4, are applied to the interior (room-side surface) of a dual pane IG unit, resulting in improved thermal performance and lower heating costs. Because the coating reflects heat back into the room, the room-side pane of glass will be slightly colder in winter, causing a higher potential for interior condensation. \*\*\*Available when selecting XL Edge Spacer.



# THE WARMTH & BEAUTY OF SELECT WOODS.

We happen to think that your windows should match your cabinets perfectly. So whether it's your den or your kitchen, or throughout the whole house, Sierra Pacific lets you choose from nine beautiful woods for your windows, patio doors and trim. In fact, as long as it's workable, we're willing to make your windows out of any wood in the world.



Prairie  
Shown in pine  
3-1/2" wide



Tradesman  
Shown in oak  
3-1/2" wide



Tradesman II  
Shown in pine  
3-1/2" wide



Craftsman  
Shown in oak  
3-1/2" wide



Continental  
Shown in oak  
3-1/2" wide



Colonial  
Shown in oak  
3-1/2" wide



Regal  
Shown in pine  
3-1/2" wide



Provincial  
Shown in oak  
3-1/2" wide



Tudor  
Shown in pine  
3-1/2" wide



Heritage  
Shown in oak  
2-3/4" wide



Heritage II  
Shown in pine  
2-3/4" wide



Traditional  
Shown in pine  
2-1/4" wide



Contemporary  
Shown in pine  
2-1/4" wide



Rosettes.  
Available in 2.5"  
or 3.5" sizes in  
matching wood  
species.

## A PREMIUM FACTORY FINISH.

Nothing beats a factory finish performed with state-of-the-art equipment under rigorously controlled, ultra-clean conditions.

Sierra Pacific gives you two premium options: Ultra Stain and Ultra Coat.

Ultra Stain is an advanced, multi-step process that brings out all the beauty of your wood interior. Ultra Coat uses a unique, specially formulated, two-part catalyzed polyurethane paint. It's a white or black interior paint that's so durable, it could be used outdoors.

Both Ultra Stain and Ultra Coat are so tough, they resist scratching and marring and so superior, they provide advanced protection against moisture.

Ultra Stain

Clear

Espresso

Toffee

Ultra Coat

White

Black





CHOOSE CAREFULLY. THESE COLORS STAY A LONG, LONG, LONG TIME.



The Textured Collection

The exterior of Sierra Pacific H3 windows is fully encased in low maintenance, heavy-duty, extruded aluminum. Ours is at least twice as thick as our competitors' roll-form cladding.

What's more, our finishing process leads the industry in durability and environmental safety. Non-hazardous AAMA 2604 and 2605 powder-coatings have the color retention, surface hardness and scratch resistance necessary to withstand even the harshest conditions.

As for colors? Nobody gives you more choices than Sierra Pacific. 75 colors and some sensational textures allow you to add warmth, a splash of cheerfulness or a new statement to your designs. We'll also custom match any color you choose.



# EXTERIOR CLAD FINISHES

## COLOR STAY™ COLLECTION

White 001	✓ Linen 032	French Linen 112	Morning Dove Gray 113	Colonial White 313	Sandstone 003	Beige 335
Tan 043	✓ Gull Gray 007	✓ Seawolf 044	Fashion Gray 111	Slate Gray 045	✓ Battleship Gray 321	TW Black 061
✓ Black Sable 060	Slate Blue 008	Light Blue 046	✓ Steel Blue 114	Aqua Mist 115	Hampton Blue 323	Sage Green 005
Teal 047	Hemlock Green 048	Patina Green 051	Forest Green 049	Evergreen 009	Green 004	✓ Hartford Green 050
Moss 031	✓ Greek Olive 081	Terra Cotta 053	✓ Clay 026	ICI Brown 056	✓ Colonial Red 054	Harvest Cranberry 010
Burgundy 055	Deep Plum 116	Deep Taupe 077	✓ Antique Bronze 057	TW Brown 058	✓ Bahama Brown 309	Regal Brown 059
Brown 002	✓ Bronze 024	✓ Black 023				

## TEXTURED COLLECTION

Peppered Steel 110	Sift Espresso 097	Mocha 098
Cajun Spice 099	Pesto 100	Available AAMA 2604 only.

## WEATHERED COLLECTION

Weathered Café Royale 104	Weathered Cocoa 105	Weathered Brown 034
Weathered Bronze 078	Weathered Clay 075	Weathered Red Pepper 106
Weathered Rust 076	Weathered Basil 107	

## INDUSTRIAL COLLECTION

Medium Bronze Industrial 101	Dark Bronze Industrial 102
------------------------------	----------------------------

## PEARL METALLIC COLLECTION

El Cajon Silver 068	Platinum 067	Light Bronze Pearl 069
Medium Bronze Pearl 070	Dark Bronze Pearl 071	

## METALLIC COLLECTION

Alpine Silver 062	Metallic Champagne 063	Bronze Classic 064
Classic Copper 088	Copper Penny 065	

## ANODIZED COLLECTION

Clear Anodized 103/332	Medium Bronze Anodized 096/307	Dark Bronze Anodized 095/306
Black Anodized 117/353	Copper Anodized 352	

✓ Colors available in vinyl  
 Printing limits our ability to show colors precisely.  
 See your local representative for actual cladding samples.



# MAKE OUR WINDOWS UNIQUELY YOURS.



With our grille and hardware design options, you can make the look of your H3 windows truly complement your home—whether your décor is traditional, contemporary, or something in between.

## DOUBLE HUNG HARDWARE.

Easy-tilt latches make window cleaning a breeze. Available in six finishes.

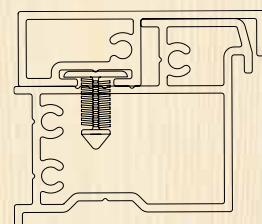


## CASEMENT HARDWARE.

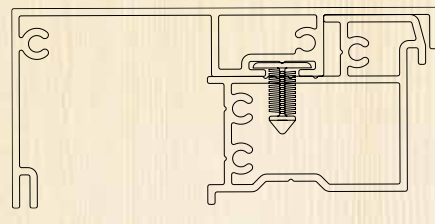
Our standard handle is the Encore from Truth. It's the same high-end handle as on our premium casements. It folds out of the way of window treatments, and comes in 12 beautiful hardware finishes, including our newly created black matte finish.



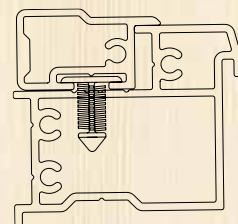
## EXTERIOR TRIM ADD-ON PROFILES



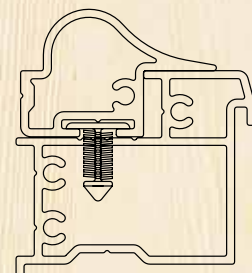
2" Flat Casing



3.5" Flat Casing



2" Brickmould



2" Ovalo

## SIMULATED DIVIDED LITES.

Sierra Pacific offers two modern ways to achieve the classic appeal of traditional divided lites. We've eliminated the energy loss and cleaning headaches caused by those old-fashioned individual panes of glass.

Outside, extruded aluminum bars match your cladding precisely. Between the glass, optional aluminum spacers create the look of true divided lites. Inside, bars of preservative-treated pine (or select wood species) complete the picture.



## GRILLES BETWEEN THE GLASS.

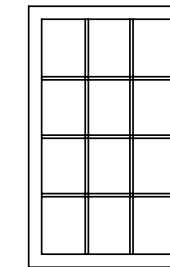
This is the easiest way to achieve the divided lite look. We seal the grille between the panes of glass. So you get the visual appeal you want without the grille ever getting in your way.



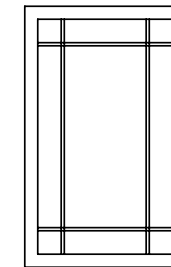
Grilles between the glass come in your choice of profiles: 11/16" or 1" contour or 5/8" flat. Available in 8 colors. Two-tone grilles also available.

## GRILLE CONFIGURATIONS.

Your grilles can be as traditional or as unique as you choose. Our standard configurations include rectangular and Queen Anne. But with our custom configurations, we're ready to transform your inspiration into reality.



Rectangular



Queen Anne



Bronze spacer option shown.

### Grille profiles

Putty 5/8"



Putty 7/8"



Putty 1"



5/8"



7/8"



1"



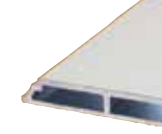
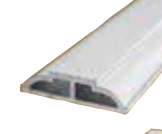
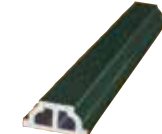
1-1/4"



2"



### Simulated divided lite

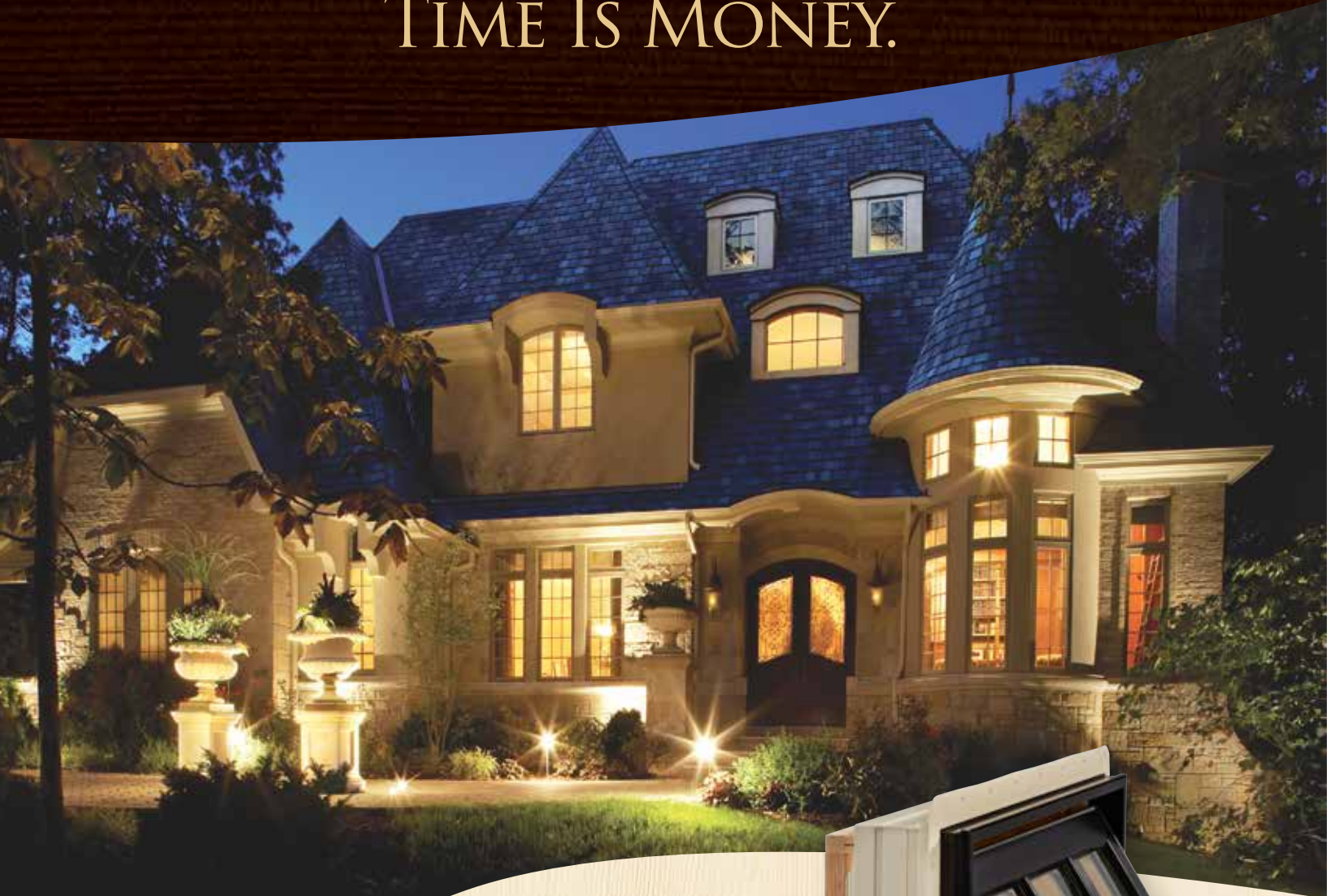


### Wood grille





# OUR INSTALLATION SECRET: TIME IS MONEY.



The H3 isn't just remarkably advanced. It's also remarkably easy to install and finish. A rigid nailing fin is integral to H3 windows. It produces greater structural integrity, an improved water barrier and the virtual elimination of racking problems.

In addition, when mulling or stacking units together, the H3 product line has a continuous head and sill for multi-wide units, with several mulling options to choose from.

Plus, our innovative snap-lock design also means no unsightly screws or fasteners on the interior and fewer nail holes to fill. In fact, the only nail holes on the casement are in the screen track.

The bottom line is that you save time. And time is money.



## MULLING OPTIONS

Continuous Head & Sill Advantage



Continuous  
Head & Sill  
Mull Post



Tight Mull



Plate Mull



# THE PERFECT COMPLEMENT TO YOUR H3 WINDOWS.

In addition to the remarkably advanced H3, Sierra Pacific also offers several complete lines of wood windows and patio doors. We build them with careful attention to detail, superb craftsmanship, innovative engineering, and the newest technology.

Of course, they're designed to complement your H3 windows perfectly.



Casement Window



Double Hung Window



Single Hung Window



Awning Window



Horizontal Sliding Window



Bay or Bow Window



Swinging Patio Door

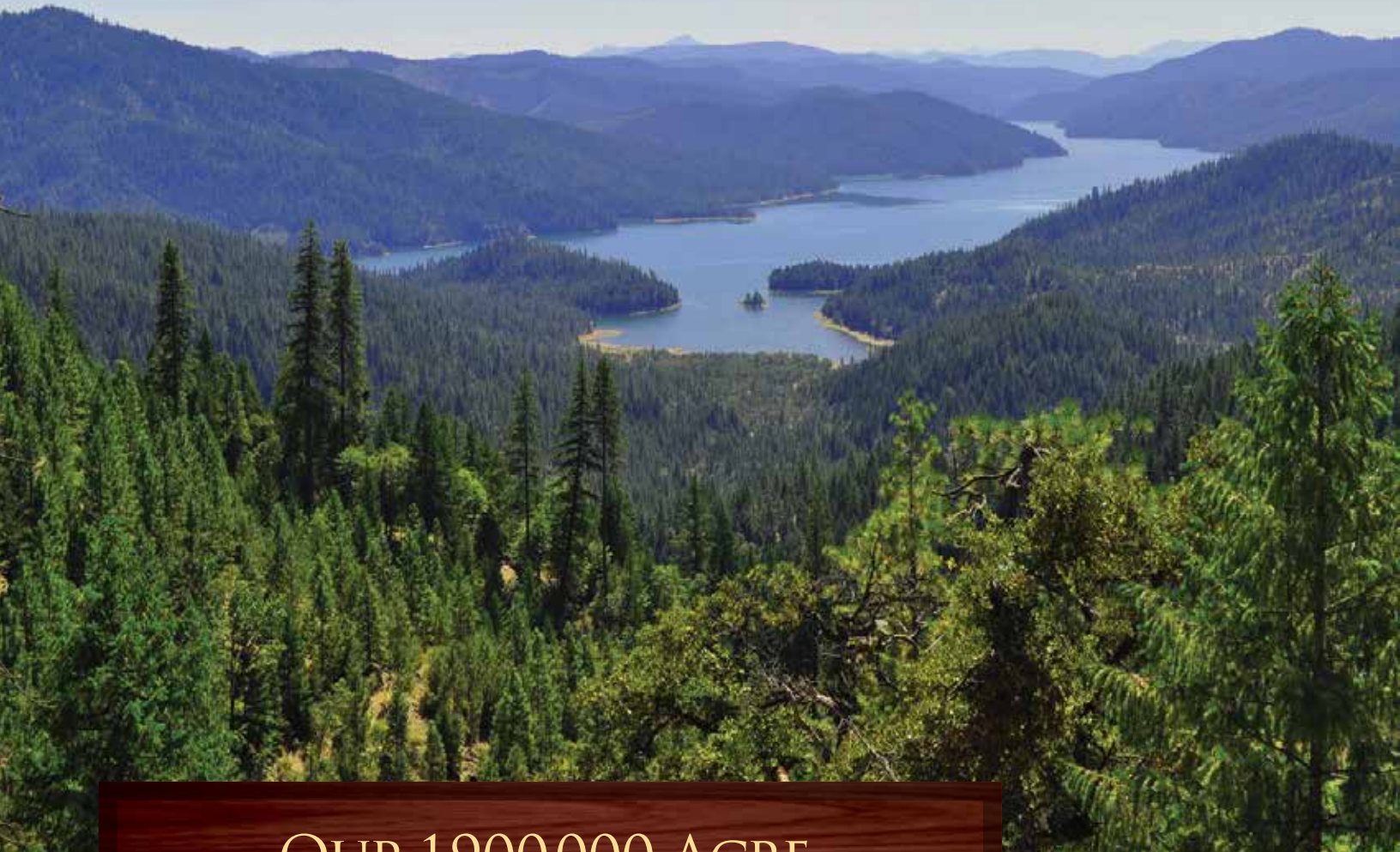


Sliding Patio Door



Geometric Shape Window





## OUR 1,900,000-ACRE MANUFACTURING PLANT.

Sierra Pacific Industries, our parent company, sustainably manages 1.9 million acres of timberland. We're the largest millwork producer in the U.S. and the second largest lumber company.

But our size is only a small part of the story.

Sierra Pacific Industries plants 7 million new trees every single year. So 100 years from now, our forests will have more trees—and bigger trees—than today.

As a proud part of this family-owned, environmentally-committed company, Sierra Pacific is the only window company that maintains continuous quality control from the moment our tree seeds are planted until our beautiful wood windows are produced, approved and delivered to you.



**SIERRA  
PACIFIC**  
WINDOWS THAT  
NEVER COMPROMISE

SierraPacificWindows.com | P.O. Box 8489, Red Bluff, CA 96080 | 800-824-7744 | A Division of



We reserve the right to change product specifications without notice. Photography used may not represent current product features and options.

1. See actual warranty for complete details. 2. Minimum order quantity required.

Sierra Pacific windows and doors are successful thanks in part to our unique patents. Visit [spi-ind.com/ip](http://spi-ind.com/ip) to learn more.

#940267 - 9/17



**Fwd: 415 Cumberland Ave Window Order**

---

**Sam Reiche** <reiche.sam@gmail.com>

Mon, Aug 27, 2018 at 10:27 AM

To: Christian Roadman <croadman@portlandmaine.gov>

Christian,

This is the second window email, which includes the full final window package, except the updated Unit 15 windows which I sent separately. Please let me know of any questions/comments, or if we are approved to move ahead.

Best,  
Sam

---

 **08500-002 Window Package.pdf**  
5084K





**Ducas Construction Inc.**

3 Southgate Road  
#8  
Scarborough ME 04074  
(207)-303-0634

License:

# Submittal

Submittal#: 229

Submittal Date: 07/18/2018

**To:** Archetype, P.A.  
48 Union Wharf  
Portland ME 04101

**Project:** 162  
415 CA LLC  
415 Cumbeland Ave  
Portland ME 04101

---

**Prepared By:** Joseph Santos

---

Item	Description	Action Required	Date Required
1	08500 - 001 Window Package	Submitted	07/23/2018

**Notes**

Please sign and date this form as proof that you are in receipt of the above listed items.  
Return form to Ducas Construction Inc.

Signed: \_\_\_\_\_ Date: \_\_\_\_\_



Ducas Construction  
 08500-001 Window Package  
 Reviewed by JMS 7/18/18



Tom Jordan  
 258 Main Street  
 Yarmouth, ME 04096  
 Mobile: 207-232-6527



**BILL TO:**

**SHIP TO:**

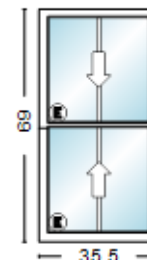
**Phone**  
**Email**

**Phone**  
**Fax**

QUOTE #	PO #	QUOTE NAME	PROJECT	JOB NAME	BID BY
981353		415 CUMBERLAND AVE H3 OPTION	DUCAS CONSTRUCTION		

LINE #	LINE TYPE	DESCRIPTION	QTY	U/M	NET PRICE	EXTENDED
100-1	WindowAndDoor	PK- 307	5	EA		

H3 Aluminum Clad Double Hung Windows 2.0 Double Hung Operating 35.5 x 69  
 Custom: Frame Width = 35.5, Frame Height = 69, Sash Split = 50/50, Screen Width = 33.1875, Screen Height = 34.375  
 Complete Unit, Drawing Numbers = , CoreGuard Plus (Standard), DP Rating = Standard, Product Offering Special Modification = No  
 Color Collection = Show All, Frame Color = White 001, AAMA 2604, Primed Interior, Pine Interior, Frame Jamb Style = Standard (Offset), Visible Interior Vinyl Profile Color = Beige  
 Sash-Panel Color = White 001, Sash-Panel Clad Finish = AAMA 2604  
 Dual Insulated, Low-E, Argon Gas = Yes, Spacer Channel = Black Warm Edge Spacer  
 Hardware = Applied, White, Jamb Liner Type = Concealed, Lock-Keepers = 2-Locks, Window Opening Control Device = No  
 Screen Option = Half Screen Shipped Separately, Standard Screen, White 001, AAMA 2604, Fiberglass Mesh  
 Simulated Divided Lite, Equal, Grille Profile = Putty Exterior, Interior Grille Profile = Traditional Interior, 7/8", Exterior Grille Color = White 001, Clad Grille Finish = 2604, Primed Interior, Pine Interior, w/spacer, Dark Bronze Anodized, 2W1H  
 Integral Rigid Vinyl Nailing Fin, No Drip Cap  
 4-9/16"  
 U-Factor = 0.3, SHGC = 0.25, CR = 55, VT = 0.47, AI = <0.30/<1.5, AIMetric = 0.73817419, CPD = SIE-N-135-00147-00004, Energy Star Region = NC,SC,S, GapFill1 = ARG, Can ER = 17, Can ES Zone = No/non, W m 2k = 1.7  
 Overall Unit Width = 35.5, Overall Unit Height = 69  
 Non-Manufacturer Related =  
 Performance Grade = PG50  
 Rough Opening Width = 36, Rough Opening Height = 69.5  
 Unit 1: Glass Width = 30.375, Glass Height = 31.5625, Sash Width = 32.125, Sash Height = 33.5625



**Rough Opening:** 36" X 69.5"  
**Overall Unit Size:** 35.5" X 69"  
**Room Location:** A - H3

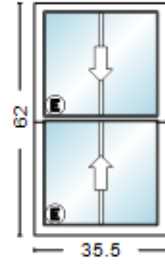


08500-001 Window Package  
 Reviewed by JMS 7/18/18

QUOTE #	PO #	QUOTE NAME	PROJECT	JOB NAME	BID BY
981353		415 CUMBERLAND AVE H3 OPTION	DUCAS CONSTRUCTION		

LINE #	LINE TYPE	DESCRIPTION	QTY	U/M	NET PRICE	EXTENDED
200-1	WindowAndDoor	PK- 307	5	EA		

H3 Aluminum Clad Double Hung Windows 2.0 Double Hung Operating 35.5 x 62  
 Custom: Frame Width = 35.5, Frame Height = 62, Sash Split = 50/50, Screen Width = 33.1875, Screen Height = 30.875  
 Complete Unit, Drawing Numbers = , CoreGuard Plus (Standard), DP Rating = Standard, Product Offering Special Modification = No  
 Color Collection = Show All, Frame Color = White 001, AAMA 2604, Primed Interior, Pine Interior, Frame Jamb Style = Standard (Offset), Visible Interior Vinyl Profile Color = Beige Sash-Panel Color = White 001, Sash-Panel Clad Finish = AAMA 2604  
 Dual Insulated, Low-E, Argon Gas = Yes, Spacer Channel = Black Warm Edge Spacer  
 Hardware = Applied, White, Jamb Liner Type = Concealed, Lock-Keepers = 2-Locks, Window Opening Control Device = No  
 Screen Option = Half Screen Shipped Separately, Standard Screen, White 001, AAMA 2604, Fiberglass Mesh  
 Simulated Divided Lite, Equal, Grille Profile = Putty Exterior, Interior Grille Profile = Traditional Interior, 7/8", Exterior Grille Color = White 001, Clad Grille Finish = 2604, Primed Interior, Pine Interior, w/spacer, Dark Bronze Anodized, 2W1H  
 Integral Rigid Vinyl Nailing Fin, No Drip Cap  
 4-9/16"  
 U-Factor = 0.3, SHGC = 0.25, CR = 55, VT = 0.47, AI = <0.30/<1.5, AIMetric = 0.73817419, CPD = SIE-N-135-00147-00004, Energy Star Region = NC,SC,S, GapFill1 = ARG, Can ER = 17, Can ES Zone = No/non, W m 2k = 1.7  
 Overall Unit Width = 35.5, Overall Unit Height = 62  
 Non-Manufacturer Related =  
 Performance Grade = PG50  
 Rough Opening Width = 36, Rough Opening Height = 62.5  
 Unit 1: Glass Width = 30.375, Glass Height = 28.0625, Sash Width = 32.125, Sash Height = 30.0625



**Rough Opening:** 36" X 62.5"  
**Overall Unit Size:** 35.5" X 62"  
**Room Location:** B - H3

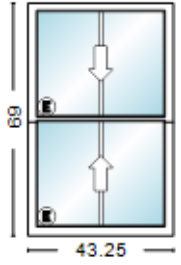


08500-001 Window Package  
 Reviewed by JMS 7/18/18

QUOTE #	PO #	QUOTE NAME	PROJECT	JOB NAME	BID BY
981353		415 CUMBERLAND AVE H3 OPTION	DUCAS CONSTRUCTION		

LINE #	LINE TYPE	DESCRIPTION	QTY	U/M	NET PRICE	EXTENDED
300-1	WindowAndDoor	PK- 307	3	EA		

H3 Aluminum Clad Double Hung Windows 2.0 Double Hung Operating 43.25 x 69  
 Custom: Frame Width = 43.25, Frame Height = 69, Sash Split = 50/50, Screen Width = 40.9375, Screen Height = 34.375  
 Complete Unit, Drawing Numbers = , CoreGuard Plus (Standard), DP Rating = Standard, Product Offering Special Modification = No  
 Color Collection = Show All, Frame Color = White 001, AAMA 2604, Primed Interior, Pine Interior, Frame Jamb Style = Standard (Offset), Visible Interior Vinyl Profile Color = Beige Sash-Panel Color = White 001, Sash-Panel Clad Finish = AAMA 2604  
 Dual Insulated, Low-E, Argon Gas = Yes, Spacer Channel = Black Warm Edge Spacer  
 Hardware = Applied, White, Jamb Liner Type = Concealed, Lock-Keepers = 2-Locks, Window Opening Control Device = No  
 Screen Option = Half Screen Shipped Separately, Standard Screen, White 001, AAMA 2604, Fiberglass Mesh  
 Simulated Divided Lite, Equal, Grille Profile = Putty Exterior, Interior Grille Profile = Traditional Interior, 7/8", Exterior Grille Color = White 001, Clad Grille Finish = 2604, Primed Interior, Pine Interior, w/spacer, Dark Bronze Anodized, 2W1H  
 Integral Rigid Vinyl Nailing Fin, No Drip Cap  
 4-9/16"  
 U-Factor = 0.3, SHGC = 0.25, CR = 55, VT = 0.47, AI = <0.30/<1.5, AIMetric = 0.73817419, CPD = SIE-N-135-00147-00004, Energy Star Region = NC,SC,S, GapFill1 = ARG, Can ER = 17, Can ES Zone = No/non, W m 2k = 1.7  
 Overall Unit Width = 43.25, Overall Unit Height = 69  
 Non-Manufacturer Related =  
 Performance Grade = PG50  
 Rough Opening Width = 43.75, Rough Opening Height = 69.5  
 Unit 1: Glass Width = 38.125, Glass Height = 31.5625, Sash Width = 39.875, Sash Height = 33.5625



**Rough Opening:** 43.75" X 69.5"  
**Overall Unit Size:** 43.25" X 69"  
**Room Location:** C

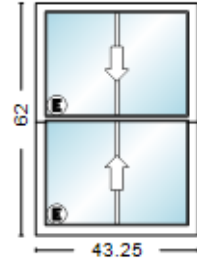


08500-001 Window Package  
 Reviewed by JMS 7/18/18

QUOTE #	PO #	QUOTE NAME	PROJECT	JOB NAME	BID BY
981353		415 CUMBERLAND AVE H3 OPTION	DUCAS CONSTRUCTION		

LINE #	LINE TYPE	DESCRIPTION	QTY	U/M	NET PRICE	EXTENDED
400-1	WindowAndDoor	PK- 307	3	EA		

H3 Aluminum Clad Double Hung Windows 2.0 Double Hung Operating 43.25 x 62  
 Custom: Frame Width = 43.25, Frame Height = 62, Sash Split = 50/50, Screen Width = 40.9375, Screen Height = 30.875  
 Complete Unit, Drawing Numbers = , CoreGuard Plus (Standard), DP Rating = Standard, Product Offering Special Modification = No  
 Color Collection = Show All, Frame Color = White 001, AAMA 2604, Primed Interior, Pine Interior, Frame Jamb Style = Standard (Offset), Visible Interior Vinyl Profile Color = Beige Sash-Panel Color = White 001, Sash-Panel Clad Finish = AAMA 2604  
 Dual Insulated, Low-E, Argon Gas = Yes, Spacer Channel = Black Warm Edge Spacer  
 Hardware = Applied, White, Jamb Liner Type = Concealed, Lock-Keepers = 2-Locks, Window Opening Control Device = No  
 Screen Option = Half Screen Shipped Separately, Standard Screen, White 001, AAMA 2604, Fiberglass Mesh  
 Simulated Divided Lite, Equal, Grille Profile = Putty Exterior, Interior Grille Profile = Traditional Interior, 7/8", Exterior Grille Color = White 001, Clad Grille Finish = 2604, Primed Interior, Pine Interior, w/spacer, Dark Bronze Anodized, 2W1H  
 Integral Rigid Vinyl Nailing Fin, No Drip Cap  
 4-9/16"  
 U-Factor = 0.3, SHGC = 0.25, CR = 55, VT = 0.47, AI = <0.30/<1.5, AIMetric = 0.73817419, CPD = SIE-N-135-00147-00004, Energy Star Region = NC,SC,S, GapFill1 = ARG, Can ER = 17, Can ES Zone = No/non, W m 2k = 1.7  
 Overall Unit Width = 43.25, Overall Unit Height = 62  
 Non-Manufacturer Related =  
 Performance Grade = PG50  
 Rough Opening Width = 43.75, Rough Opening Height = 62.5  
 Unit 1: Glass Width = 38.125, Glass Height = 28.0625, Sash Width = 39.875, Sash Height = 30.0625



**Rough Opening:** 43.75" X 62.5"  
**Overall Unit Size:** 43.25" X 62"  
**Room Location:** D

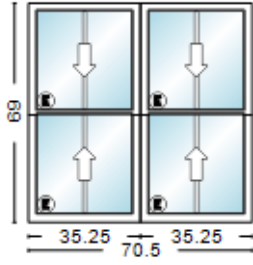


08500-001 Window Package  
 Reviewed by JMS 7/18/18

QUOTE #	PO #	QUOTE NAME	PROJECT	JOB NAME	BID BY
981353		415 CUMBERLAND AVE H3 OPTION	DUCAS CONSTRUCTION		

LINE #	LINE TYPE	DESCRIPTION	QTY	U/M	NET PRICE	EXTENDED
500-1	WindowAndDoor	PK- 307	1	EA		

H3 Aluminum Clad Double Hung Windows 2.0 Double Hung Operating / Operating 70.5 x 69  
 Custom: Mull Location 1 = 35.25, Frame Width = 35.25, Frame Height = 69, Sash Split = 50/50  
 Custom: Frame Width = 35.25, Frame Height = 69, Sash Split = 50/50  
 Complete Unit, Drawing Numbers = , CoreGuard Plus (Standard), DP Rating = Standard, Product Offering Special Modification = No  
 Color Collection = Show All, Frame Color = White 001, AAMA 2604, Primed Interior, Pine Interior, Mull-Frame Type = Vertical Common (Continuous Head & Sill), Frame Jamb Style = Standard (Offset), Visible Interior Vinyl Profile Color = Beige  
 Sash-Panel Color = White 001, Sash-Panel Clad Finish = AAMA 2604  
 Dual Insulated, Low-E, Argon Gas = Yes, Spacer Channel = Black Warm Edge Spacer  
 Hardware = Applied, White, Jamb Liner Type = Concealed, Lock-Keepers = 2-Locks, Window Opening Control Device = No  
 Screen Option = Half Screen Shipped Separately, Standard Screen, White 001, AAMA 2604, Fiberglass Mesh  
 Simulated Divided Lite, Equal, Grille Profile = Putty Exterior, Interior Grille Profile = Traditional Interior, 7/8", Exterior Grille Color = White 001, Clad Grille Finish = 2604, Primed Interior, Pine Interior, w/spacer, Dark Bronze Anodized, 2W1H  
 H3CommonMull  
 Integral Rigid Vinyl Nailing Fin, No Drip Cap  
 4-9/16", Interior Mull Casing Applied  
 U-Factor = 0.3, SHGC = 0.25, CR = 55, VT = 0.47, AI = <0.30/<1.5, AIMetric = 0.73817419, CPD = SIE-N-135-00147-00004, Energy Star Region = NC,SC,S, GapFill1 = ARG, Can ER = 17, Can ES Zone = No/non, W m 2k = 1.7  
 Overall Unit Width = 70.5, Overall Unit Height = 69  
 Non-Manufacturer Related =  
 Installation Straps = Yes  
 Performance Grade = PG50  
 Rough Opening Width = 71, Rough Opening Height = 69.5  
 Unit 1,2: Glass Width = 30.375, Glass Height = 31.5625, Sash Width = 32.125, Sash Height = 33.5625



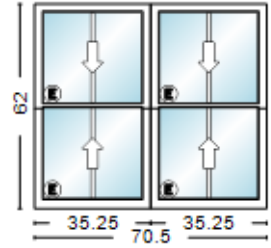
**Rough Opening:** 71" X 69.5"  
**Overall Unit Size:** 70.5" X 69"  
**Room Location:** E - H3



QUOTE #	PO #	QUOTE NAME	PROJECT	JOB NAME	BID BY
981353		415 CUMBERLAND AVE H3 OPTION	DUCAS CONSTRUCTION		

LINE #	LINE TYPE	DESCRIPTION	QTY	U/M	NET PRICE	EXTENDED
600-1	WindowAndDoor	PK- 307	1	EA		

H3 Aluminum Clad Double Hung Windows 2.0 Double Hung Operating / Operating 70.5 x 62  
 Custom: Mull Location 1 = 35.25, Frame Width = 35.25, Frame Height = 62, Sash Split = 50/50  
 Custom: Frame Width = 35.25, Frame Height = 62, Sash Split = 50/50  
 Complete Unit, Drawing Numbers = , CoreGuard Plus (Standard), DP Rating = Standard, Product Offering Special Modification = No  
 Color Collection = Show All, Frame Color = White 001, AAMA 2604, Primed Interior, Pine Interior, Mull-Frame Type = Vertical Common (Continuous Head & Sill), Frame Jamb Style = Standard (Offset), Visible Interior Vinyl Profile Color = Beige  
 Sash-Panel Color = White 001, Sash-Panel Clad Finish = AAMA 2604  
 Dual Insulated, Low-E, Argon Gas = Yes, Spacer Channel = Black Warm Edge Spacer  
 Hardware = Applied, White, Jamb Liner Type = Concealed, Lock-Keepers = 2-Locks, Window Opening Control Device = No  
 Screen Option = Half Screen Shipped Separately, Standard Screen, White 001, AAMA 2604, Fiberglass Mesh  
 Simulated Divided Lite, Equal, Grille Profile = Putty Exterior, Interior Grille Profile = Traditional Interior, 7/8", Exterior Grille Color = White 001, Clad Grille Finish = 2604, Primed Interior, Pine Interior, w/spacer, Dark Bronze Anodized, 2W1H  
 H3CommonMull  
 Integral Rigid Vinyl Nailing Fin, No Drip Cap  
 4-9/16", Interior Mull Casing Applied  
 U-Factor = 0.3, SHGC = 0.25, CR = 55, VT = 0.47, AI = <0.30/<1.5, AIMetric = 0.73817419, CPD = SIE-N-135-00147-00004, Energy Star Region = NC,SC,S, GapFill1 = ARG, Can ER = 17, Can ES Zone = No/non, W m 2k = 1.7  
 Overall Unit Width = 70.5, Overall Unit Height = 62  
 Non-Manufacturer Related =  
 Installation Straps = Yes  
 Performance Grade = PG50  
 Rough Opening Width = 71, Rough Opening Height = 62.5  
 Unit 1,2: Glass Width = 30.375, Glass Height = 28.0625, Sash Width = 32.125, Sash Height = 30.0625



**Rough Opening:** 71" X 62.5"  
**Overall Unit Size:** 70.5" X 62"  
**Room Location:** F - H3

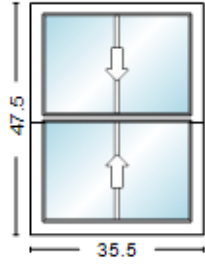


08500-001 Window Package  
 Reviewed by JMS 7/18/18

QUOTE #	PO #	QUOTE NAME	PROJECT	JOB NAME	BID BY
981353		415 CUMBERLAND AVE H3 OPTION	DUCAS CONSTRUCTION		

LINE #	LINE TYPE	DESCRIPTION	QTY	U/M	NET PRICE	EXTENDED
700-1	WindowAndDoor	PK- 307	2	EA		

H3 Aluminum Clad Double Hung Windows 2.0 Double Hung Operating 35.5 x 47.5  
 36 x 48, Frame Width = 35.5, Frame Height = 47.5, Sash Split = 50/50, Screen Width = 33.1875,  
 Screen Height = 23.625  
 Complete Unit, Drawing Numbers = , CoreGuard Plus (Standard), DP Rating = Standard, Product  
 Offering Special Modification = No  
 Color Collection = Show All, Frame Color = White 001, AAMA 2604, Primed Interior, Pine  
 Interior, Frame Jamb Style = Standard (Offset), Visible Interior Vinyl Profile Color = Beige  
 Sash-Panel Color = White 001, Sash-Panel Clad Finish = AAMA 2604  
 Dual Insulated, Low-E, Argon Gas = Yes, Spacer Channel = Black Warm Edge Spacer  
 Hardware = Applied, White, Jamb Liner Type = Concealed, Lock-Keepers = 2-Locks, Window  
 Opening Control Device = No  
 Screen Option = Half Screen Shipped Separately, Standard Screen, White 001, AAMA 2604,  
 Fiberglass Mesh  
 Simulated Divided Lite, Equal, Grille Profile = Putty Exterior, Interior Grille Profile = Traditional  
 Interior, 7/8", Exterior Grille Color = White 001, Clad Grille Finish = 2604, Primed Interior, Pine  
 Interior, w/spacer, Dark Bronze Anodized, 2W1H  
 Integral Rigid Vinyl Nailing Fin, No Drip Cap  
 4-9/16"  
 U-Factor = 0.3, SHGC = 0.25, CR = 55, VT = 0.47, AI = <0.30/<1.5, AIMetric = 0.73817419,  
 CPD = SIE-N-135-00147-00004, Energy Star Region = NC,SC,S, GapFill1 = ARG, Can ER = 17,  
 Can ES Zone = No/non, W m 2k = 1.7  
 Overall Unit Width = 35.5, Overall Unit Height = 47.5  
 Non-Manufacturer Related =  
 Performance Grade = PG50  
 Rough Opening Width = 36, Rough Opening Height = 48  
 Unit 1: Glass Width = 30.375, Glass Height = 20.8125, Sash Width = 32.125, Sash Height =  
 22.8125



**Rough Opening:** 36" X 48"  
**Overall Unit Size:** 35.5" X 47.5"  
**Room Location:** G - H3



08500-001 Window Package  
 Reviewed by JMS 7/18/18

QUOTE #	PO #	QUOTE NAME	PROJECT	JOB NAME	BID BY
981353		415 CUMBERLAND AVE H3 OPTION	DUCAS CONSTRUCTION		

LINE #	LINE TYPE	DESCRIPTION	QTY	U/M	NET PRICE	EXTENDED
800-1	WindowAndDoor	PK- 307	2	EA		

H3 Aluminum Clad Double Hung Windows 2.0 Double Hung Operating 28 x 70.75  
 Custom: Frame Width = 28, Frame Height = 70.75, Sash Split = 50/50, Screen Width = 25.6875, Screen Height = 35.25  
 Complete Unit, Drawing Numbers = , CoreGuard Plus (Standard), DP Rating = Standard, Product Offering Special Modification = No  
 Color Collection = Show All, Frame Color = White 001, AAMA 2604, Primed Interior, Pine Interior, Frame Jamb Style = Standard (Offset), Visible Interior Vinyl Profile Color = Beige Sash-Panel Color = White 001, Sash-Panel Clad Finish = AAMA 2604  
 Dual Insulated, Low-E, Argon Gas = Yes, Spacer Channel = Black Warm Edge Spacer  
 Hardware = Applied, White, Jamb Liner Type = Concealed, Lock-Keepers = 2-Locks, Window Opening Control Device = No  
 Screen Option = Half Screen Shipped Separately, Standard Screen, White 001, AAMA 2604, Fiberglass Mesh  
 Simulated Divided Lite, Equal, Grille Profile = Putty Exterior, Interior Grille Profile = Traditional Interior, 7/8", Exterior Grille Color = White 001, Clad Grille Finish = 2604, Primed Interior, Pine Interior, w/spacer, Dark Bronze Anodized, 3W2H  
 No Nail Fin  
 4-9/16"  
 U-Factor = 0.3, SHGC = 0.25, CR = 55, VT = 0.47, AI = <0.30/<1.5, AIMetric = 0.73817419, CPD = SIE-N-135-00147-00004, Energy Star Region = NC,SC,S, GapFill1 = ARG, Can ER = 17, Can ES Zone = No/non, W m 2k = 1.7  
 Overall Unit Width = 28, Overall Unit Height = 70.75  
 Non-Manufacturer Related =  
 Performance Grade = PG50  
 Rough Opening Width = 28.5, Rough Opening Height = 71.25  
 Unit 1: Glass Width = 22.875, Glass Height = 32.4375, Sash Width = 24.625, Sash Height = 34.4375



**Rough Opening:** 28.5" X 71.25"  
**Overall Unit Size:** 28" X 70.75"  
**Room Location:** H

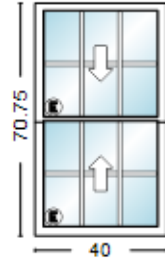


08500-001 Window Package  
 Reviewed by JMS 7/18/18

QUOTE #	PO #	QUOTE NAME	PROJECT	JOB NAME	BID BY
981353		415 CUMBERLAND AVE H3 OPTION	DUCAS CONSTRUCTION		

LINE #	LINE TYPE	DESCRIPTION	QTY	U/M	NET PRICE	EXTENDED
900-1	WindowAndDoor	PK- 307	1	EA		

H3 Aluminum Clad Double Hung Windows 2.0 Double Hung Operating 40 x 70.75  
 Custom: Frame Width = 40, Frame Height = 70.75, Sash Split = 50/50, Screen Width = 37.6875, Screen Height = 35.25  
 Complete Unit, Drawing Numbers = , CoreGuard Plus (Standard), DP Rating = Standard, Product Offering Special Modification = No  
 Color Collection = Show All, Frame Color = White 001, AAMA 2604, Primed Interior, Pine Interior, Frame Jamb Style = Standard (Offset), Visible Interior Vinyl Profile Color = Beige Sash-Panel Color = White 001, Sash-Panel Clad Finish = AAMA 2604  
 Dual Insulated, Low-E, Argon Gas = Yes, Spacer Channel = Black Warm Edge Spacer  
 Hardware = Applied, White, Jamb Liner Type = Concealed, Lock-Keepers = 2-Locks, Window Opening Control Device = No  
 Screen Option = Half Screen Shipped Separately, Standard Screen, White 001, AAMA 2604, Fiberglass Mesh  
 Simulated Divided Lite, Equal, Grille Profile = Putty Exterior, Interior Grille Profile = Traditional Interior, 7/8", Exterior Grille Color = White 001, Clad Grille Finish = 2604, Primed Interior, Pine Interior, w/spacer, Dark Bronze Anodized, 3W2H  
 No Nail Fin  
 4-9/16"  
 U-Factor = 0.3, SHGC = 0.25, CR = 55, VT = 0.47, AI = <0.30/<1.5, AIMetric = 0.73817419, CPD = SIE-N-135-00147-00004, Energy Star Region = NC,SC,S, GapFill1 = ARG, Can ER = 17, Can ES Zone = No/non, W m 2k = 1.7  
 Overall Unit Width = 40, Overall Unit Height = 70.75  
 Non-Manufacturer Related =  
 Performance Grade = PG50  
 Rough Opening Width = 40.5, Rough Opening Height = 71.25  
 Unit 1: Glass Width = 34.875, Glass Height = 32.4375, Sash Width = 36.625, Sash Height = 34.4375



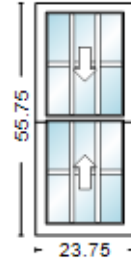
**Rough Opening:** 40.5" X 71.25"  
**Overall Unit Size:** 40" X 70.75"  
**Room Location:** I

08500-001 Window Package  
 Reviewed by JMS 7/18/18

QUOTE #	PO #	QUOTE NAME	PROJECT	JOB NAME	BID BY
981353		415 CUMBERLAND AVE H3 OPTION	DUCAS CONSTRUCTION		

LINE #	LINE TYPE	DESCRIPTION	QTY	U/M	NET PRICE	EXTENDED
1000-1	WindowAndDoor	PK- 307	2	EA		

H3 Aluminum Clad Double Hung Windows 2.0 Double Hung Operating 23.75 x 55.75  
 Custom: Frame Width = 23.75, Frame Height = 55.75, Sash Split = 50/50, Screen Width = 21.4375, Screen Height = 27.75  
 Complete Unit, Drawing Numbers = , CoreGuard Plus (Standard), DP Rating = Standard, Product Offering Special Modification = No  
 Color Collection = Show All, Frame Color = White 001, AAMA 2604, Primed Interior, Pine Interior, Frame Jamb Style = Standard (Offset), Visible Interior Vinyl Profile Color = Beige Sash-Panel Color = White 001, Sash-Panel Clad Finish = AAMA 2604  
 Dual Insulated, Low-E, Argon Gas = Yes, Spacer Channel = Black Warm Edge Spacer  
 Hardware = Applied, White, Jamb Liner Type = Concealed, Lock-Keepers = 1-Lock, Window Opening Control Device = No  
 Screen Option = Half Screen Shipped Separately, Standard Screen, White 001, AAMA 2604, Fiberglass Mesh  
 Simulated Divided Lite, Equal, Grille Profile = Putty Exterior, Interior Grille Profile = Traditional Interior, 7/8", Exterior Grille Color = White 001, Clad Grille Finish = 2604, Primed Interior, Pine Interior, w/spacer, Dark Bronze Anodized, 3W2H  
 No Nail Fin  
 4-9/16"  
 U-Factor = 0.3, SHGC = 0.25, CR = 55, VT = 0.47, AI = <0.30/<1.5, AIMetric = 0.73817419, CPD = SIE-N-135-00147-00004, Energy Star Region = NC,SC,S, GapFill1 = ARG, Can ER = 17, Can ES Zone = No/non, W m 2k = 1.7  
 Non-Manufacturer Related =  
 Performance Grade = PG50  
 Rough Opening Width = 24.25, Rough Opening Height = 56.25  
 Unit 1: Glass Width = 18.625, Glass Height = 24.9375, Sash Width = 20.375, Sash Height = 26.9375



**Rough Opening:** 24.25" X 56.25"  
**Overall Unit Size:** 23.75" X 55.75"  
**Room Location:** K2 - DRIVEWAY

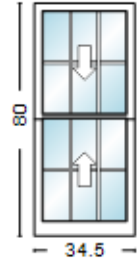
These windows to change to meet egress



QUOTE #	PO #	QUOTE NAME	PROJECT	JOB NAME	BID BY
981353		415 CUMBERLAND AVE H3 OPTION	DUCAS CONSTRUCTION		

LINE #	LINE TYPE	DESCRIPTION	QTY	U/M	NET PRICE	EXTENDED
1100-1	WindowAndDoor	PK- 307	7	EA		

Aluminum Clad Wood Windows Double Hung Operating 34.5 x 80  
 Custom: Frame Width = 34.5, Frame Height = 80, Sash Split = 50/50, Screen Width = 31.09375, Screen Height = 39.6875  
 Complete Unit, Drawing Numbers = , CoreGuard Plus (Standard), DP Rating = Standard, Product Offering Special Modification = No  
 Color Collection = Show All, Frame Color = White 001, AAMA 2604, Primed Interior, Pine Interior  
 Sash-Panel Color = White 001, Sash-Panel Clad Finish = AAMA 2604  
 Dual Insulated, Low-E, Standard Bead, Argon Gas = Yes, Spacer Channel = Black Warm Edge Spacer  
 Hardware = Applied, Standard Hardware Type, White, Jamb Liner Type = Concealed, Lock-Keepers = 2-Locks, Window Opening Control Device = No  
 Screen Option = Half Screen Shipped Separately, Standard Screen, White 001, AAMA 2604, Fiberglass Mesh  
 Simulated Divided Lite, Equal, Grille Profile = Putty Exterior, Interior Grille Profile = Traditional Interior, 5/8", Exterior Grille Color = White 001, Clad Grille Finish = 2604, Primed Interior, Pine Interior, w/spacer, Dark Bronze Anodized, 3W2H  
 No Nail Fin  
 4-9/16"  
 U-Factor = 0.3, SHGC = 0.25, CR = 59, VT = 0.44, AI = <0.30/<1.5, AIMetric = 0.90852208, CPD = SIE-N-111-00351-00002, Energy Star Region = NC,SC,S, GapFill1 = ARG, Can ER = -1, Can ES Zone = , W m 2k = -1  
 Rough Opening Width = 35.25, Rough Opening Height = 80.5  
 Overall Unit Width = 34.5, Overall Unit Height = 80  
 Non-Manufacturer Related =  
 Unit 1: Glass Width = 29.03125, Glass Height = 35.6875, Lower Glass Sash Width = 31.40625, Lower Glass Sash Height = 39.59375, Upper Glass Sash Width = 31.40625, Upper Glass Sash Height = 38.35938



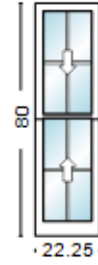
**Rough Opening:** 35.25" X 80.5"  
**Overall Unit Size:** 34.5" X 80"  
**Room Location:** J

08500-001 Window Package  
 Reviewed by JMS 7/18/18

QUOTE #	PO #	QUOTE NAME	PROJECT	JOB NAME	BID BY
981353		415 CUMBERLAND AVE H3 OPTION	DUCAS CONSTRUCTION		

LINE #	LINE TYPE	DESCRIPTION	QTY	U/M	NET PRICE	EXTENDED
1200-1	WindowAndDoor	PK- 307	2	EA		

Aluminum Clad Wood Windows Double Hung Operating 22.25 x 80  
 Custom: Frame Width = 22.25, Frame Height = 80, Sash Split = 50/50, Screen Width = 18.84375, Screen Height = 39.6875  
 Complete Unit, Drawing Numbers = , CoreGuard Plus (Standard), DP Rating = Standard, Product Offering Special Modification = No  
 Color Collection = Show All, Frame Color = White 001, AAMA 2604, Primed Interior, Pine Interior  
 Sash-Panel Color = White 001, Sash-Panel Clad Finish = AAMA 2604  
 Dual Insulated, Low-E, Standard Bead, Argon Gas = Yes, Spacer Channel = Black Warm Edge Spacer  
 Hardware = Applied, Standard Hardware Type, White, Jamb Liner Type = Concealed, Lock-Keepers = 1-Lock, Window Opening Control Device = No  
 Screen Option = Half Screen Shipped Separately, Standard Screen, White 001, AAMA 2604, Fiberglass Mesh  
 Simulated Divided Lite, Equal, Grille Profile = Putty Exterior, Interior Grille Profile = Traditional Interior, 5/8", Exterior Grille Color = White 001, Clad Grille Finish = 2604, Primed Interior, Pine Interior, w/spacer, Dark Bronze Anodized, 2W2H  
 No Nail Fin  
 4-9/16"  
 U-Factor = 0.3, SHGC = 0.25, CR = 59, VT = 0.44, AI = <0.30/<1.5, AIMetric = 0.90852208, CPD = SIE-N-111-00351-00002, Energy Star Region = NC,SC,S, GapFill1 = ARG, Can ER = -1, Can ES Zone = , W m 2k = -1  
 Rough Opening Width = 23, Rough Opening Height = 80.5  
 Overall Unit Width = 22.25, Overall Unit Height = 80  
 Non-Manufacturer Related =  
 Unit 1: Glass Width = 16.78125, Glass Height = 35.6875, Lower Glass Sash Width = 19.15625, Lower Glass Sash Height = 39.59375, Upper Glass Sash Width = 19.15625, Upper Glass Sash Height = 38.35938



**Rough Opening:** 23" X 80.5"  
**Overall Unit Size:** 22.25" X 80"  
**Room Location:** K

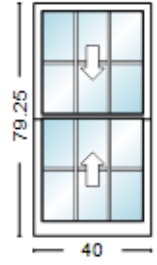


08500-001 Window Package  
 Reviewed by JMS 7/18/18

QUOTE #	PO #	QUOTE NAME	PROJECT	JOB NAME	BID BY
981353		415 CUMBERLAND AVE H3 OPTION	DUCAS CONSTRUCTION		

LINE #	LINE TYPE	DESCRIPTION	QTY	U/M	NET PRICE	EXTENDED
1300-1	WindowAndDoor	PK- 307	4	EA		

Aluminum Clad Wood Windows Double Hung Operating 40 x 79.25  
 Custom: Frame Width = 40, Frame Height = 79.25, Sash Split = 50/50, Screen Width = 36.59375, Screen Height = 39.3125  
 Complete Unit, Drawing Numbers = , CoreGuard Plus (Standard), DP Rating = Standard, Product Offering Special Modification = No  
 Color Collection = Show All, Frame Color = White 001, AAMA 2604, Primed Interior, Pine Interior  
 Sash-Panel Color = White 001, Sash-Panel Clad Finish = AAMA 2604  
 Dual Insulated, Low-E, Standard Bead, Argon Gas = Yes, Spacer Channel = Black Warm Edge Spacer  
 Hardware = Applied, Standard Hardware Type, White, Jamb Liner Type = Concealed, Lock-Keepers = 2-Locks, Window Opening Control Device = No  
 Screen Option = Half Screen Shipped Separately, Standard Screen, White 001, AAMA 2604, Fiberglass Mesh  
 Simulated Divided Lite, Equal, Grille Profile = Putty Exterior, Interior Grille Profile = Traditional Interior, 5/8", Exterior Grille Color = White 001, Clad Grille Finish = 2604, Primed Interior, Pine Interior, w/spacer, Dark Bronze Anodized, 3W2H  
 No Nail Fin  
 4-9/16"  
 U-Factor = 0.3, SHGC = 0.25, CR = 59, VT = 0.44, AI = <0.30/<1.5, AIMetric = 0.90852208, CPD = SIE-N-111-00351-00002, Energy Star Region = NC,SC,S, GapFill1 = ARG, Can ER = -1, Can ES Zone = , W m 2k = -1  
 Rough Opening Width = 40.75, Rough Opening Height = 79.75  
 Non-Manufacturer Related =  
 Unit 1: Glass Width = 34.53125, Glass Height = 35.3125, Lower Glass Sash Width = 36.90625, Lower Glass Sash Height = 39.21875, Upper Glass Sash Width = 36.90625, Upper Glass Sash Height = 37.98438



**Rough Opening:** 40.75" X 79.75"  
**Overall Unit Size:** 40" X 79.25"  
**Room Location:** J2

08500-001 Window Package  
 Reviewed by JMS 7/18/18

QUOTE #	PO #	QUOTE NAME	PROJECT	JOB NAME	BID BY
981353		415 CUMBERLAND AVE H3 OPTION	DUCAS CONSTRUCTION		

PROJECT	QUOTE	Salesperson
DUCAS CONSTRUCTION	415 CUMBERLAND AVE H3 OPTION	177
Comments:		
Em/Tom/NMT prices are list - quotes are valid for 90 days - 7-16-2018 NT0920		
Revised 8/3 NMT		
Due to the large quantity of product(s) on this quote, an extended lead-time may be required. In the event this quote becomes an order, please contact the ASG group to confirm the lead-time for this project.		
This quote is provided based on the fact that the project has no specified DP rating and that the project requires no field testing. In the event that this project requires DP rated configurations or field testing, the pricing must be adjusted to reflect necessary upgrades, structural mullions, travel arrangements to witness field testing, etc. Sierra Pacific Windows will not honor this quoted pricing if any of this criteria changes.		
Many formal specifications state shop drawings are required with submittals. Sierra Pacific Windows does not assume shop drawings are needed during the quote stage. If the project is awarded and shop drawings are necessary, a form will be provided at your request to determine what is needed and a charge for the drawings will be calculated at that time.		
Any sign offs provided from Sierra Pacific Windows during the bidding process are not required unless the project becomes an order.		

SUB-TOTAL:	
LABOR:	
FREIGHT:	
SALES TAX:	
TOTAL:	

COMPANY

Unless otherwise noted on the line item, this product is covered under a Sierra Pacific Windows limited warranty. Please see your dealer, the Website WWW.SIERRAPACIFICWINDOWS.COM or our marketing literature for a copy of the applicable limited warranty for specific language, limitations and exclusions.

The pricing on this Quote is valid for 30 days and not intended to be used as a final Invoice. (Contingent on current pricebook) The Quote does not include charges for Shop Drawings.

Sierra Pacific offers a variety of wood species produced in combinations of solid and veneer-wrapped wood parts that have varying grain patterns. Wood characteristics also vary due to the species of the wood. The combination of these items could result in color variations of the finished stained products. Outswing Doors will have a complementary species of wood threshold.

RATINGS

Oversized units and certain mulled/stacked configurations have not been tested and therefore have no performance guide (PG) rating. Job-specific engineering analysis may be available for these non-rated units. Please contact your DST group to determine available options for non-rated product. A complete list of rated products is available at WWW.SIERRAPACIFICWINDOWS.COM

The Transcend H3 products do not have a PG rating.

If units are being installed in an area requiring specific PG ratings the unit must be installed in the exact manner tested as shown in our certified installation details. These details can be found on the Florida Building Code website at www.floridabuilding.org or can be obtained by contacting Sierra Pacific's Architectural Services Department at 800-433-4873 ext. 1734.

Recent building code changes require the addition of limiting devices on any operating unit installed where the finished clear opening of the unit is within 24" of the floor and is more than 72" above the finished grade or other surface below the window. Please check with your local building department to determine if this code is a requirement in your jurisdiction and order units accordingly.

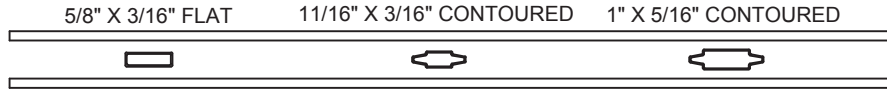
THERMAL PERFORMANCE

This quote may contain glazing options that include coating 'i89'. These glazing options may create an increased risk of room side glass condensation in areas where the winter outdoor temperatures are below freezing (32°F/0°C).

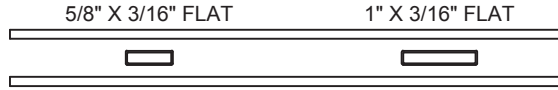
**We Appreciate Your Business!**



WI Grille Between Glass



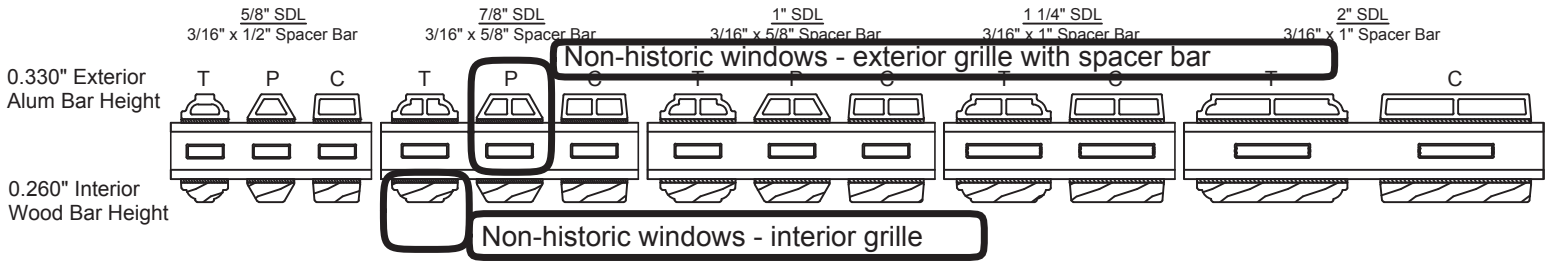
CA Grille Between Glass



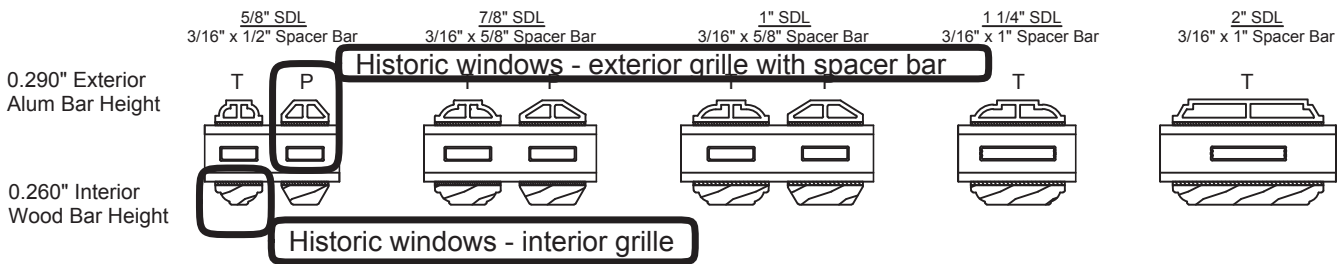
**SDL BAR STYLE**  
 T = Traditional  
 P = Putty  
 C = Contemporary

SDL Grille Bar Chart

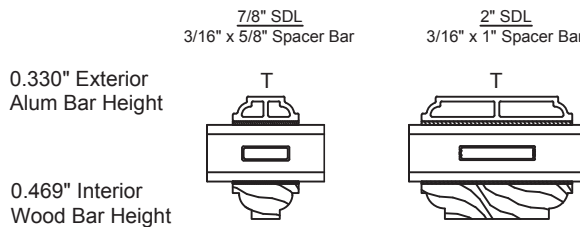
All Products (Except Clad Premium Double Hung)



Clad Premium Double Hung Options:



Wisconsin Products Only





**Fastener Type:** #10 x 3" PFH SS SCREWS, LONG ENOUGH TO ACHIEVE MINIMUM EMBEDMENT

**Spacing:** 4" FROM EACH CORNER & 16-18" ON CENTER, AT HEAD AND SIDE JAMBS.

**Embedment:** 1 1/4" MINIMUM FASTENER EMBEDMENT INTO FRAMING MATERIAL.

**Edge Distance:** 3/4" MINIMUM EDGE DISTANCE

**NOTE:** WOOD SHIM REQUIRED BEHIND EACH FRAME ANCHOR SCREW

*Aluminum Clad Wood Single or Double Hung Operating Window  
with Concealed Jambliner / Screw Thru Frame Installation*

SHEET: 1 OF 2

DRAWN BY: H.W.D.

**INSTALLATION NOTES FOR SCREW THROUGH FRAME MOUNT UNITS:**

- 1/4" MAXIMUM SHIM SPACE AT HEAD, SILL, JAMB.
- WOOD SHIM REQUIRED BEHIND EACH FRAME ANCHOR SCREW
- SASH AND JAMB LINERS WILL NEED TO BE REMOVED. SECURE UNIT INTO ROUGH OPENING THROUGH THE JAMBS OF THE UNIT INTO THE WOOD FRAMING OF THE ROUGH OPENING, WITH #10 x 3" PFH SS SCREWS SPACED 4" FROM EACH CORNER AND 16-18" ON CENTER, AT HEAD AND SIDE JAMBS
- 1 1/4" MINIMUM FASTENER EMBEDMENT INTO FRAMING MATERIAL
- SILICONE SEAL JOINT BETWEEN THE FRAME AND ROUGH OPENING, ALL 4 SIDES

**GENERAL OPENING PREP INSTALLATION NOTES:**

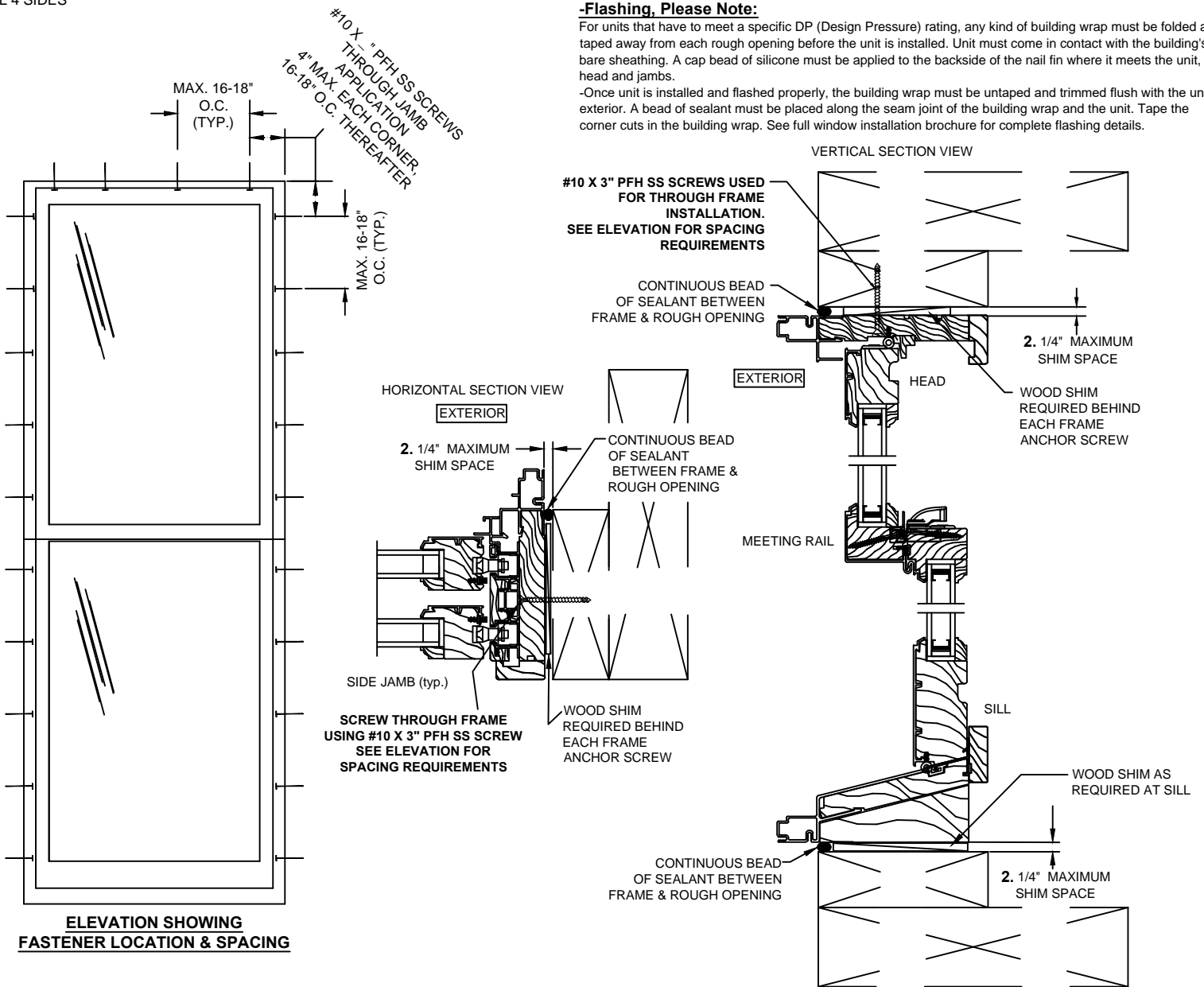
- Place a weather barrier flashing tape at the sill. Starting at 6" up one side jamb, run to and across entire sill and 6" up other side jamb.
- Check rough opening for proper size, plumb, level and square.
- Make all necessary adjustments to ensure rough opening is plumb, level and square.
- Sill must be flat, level and capable of supporting the weight of the window unit.
- Opening should allow a maximum of 1/4" shim space at head, sill and jambs.
- Consult full installation instructions found on the Sierra Pacific Windows web site, [www.sierrapacificwindows.com](http://www.sierrapacificwindows.com), for all recommended installation procedures.
- Wood buck, framing, fasteners, sealant and all wall system materials are provided by others.

**Please Note** a non-expandable foam used to seal gaps between the window frame and the rough opening is permissible, ONLY if the foam is approved for window and door installations and has a low-expanding nature. Please follow the manufacturer's instructions for this type of product.

**-Flashing, Please Note:**

For units that have to meet a specific DP (Design Pressure) rating, any kind of building wrap must be folded and taped away from each rough opening before the unit is installed. Unit must come in contact with the building's bare sheathing. A cap bead of silicone must be applied to the backside of the nail fin where it meets the unit, at head and jambs.

Once unit is installed and flashed properly, the building wrap must be untaped and trimmed flush with the unit's exterior. A bead of sealant must be placed along the seam joint of the building wrap and the unit. Tape the corner cuts in the building wrap. See full window installation brochure for complete flashing details.



**ELEVATION SHOWING FASTENER LOCATION & SPACING**

Installation requirements may vary in particular locations and in other types of construction. Proper installation is essential, and Sierra Pacific Windows, recommends consultation with an AAMA Certified Installer, or other qualified, registered building professional before installation of any SPW product. Proper installation of SPW products is the responsibility of the installer. SPW is not responsible for proper installation. SPW is not responsible for the design of, conditions in, or performance of building construction beyond the perimeters of the SPW units. SPW is not responsible for proper integration of the SPW units with the weather-repellent systems of the building.





**Ducas Construction**  
**08500-001 Window Package**  
**Reviewed by JMS 7/18/18**

**Fastener Type:** #10 x  $\frac{1}{2}$ " PFH SS SCREWS, LONG ENOUGH TO ACHIEVE MINIMUM EMBEDMENT

**Spacing:** 4" FROM EACH CORNER & 16-18" ON CENTER, AT HEAD AND SIDE JAMBS.

**Embedment:** 1  $\frac{1}{4}$ " MINIMUM FASTENER EMBEDMENT INTO FRAMING MATERIAL.

**Edge Distance:** 3/4" MINIMUM EDGE DISTANCE

**NOTE:** WOOD SHIM REQUIRED BEHIND EACH FRAME ANCHOR SCREW

*Aluminum Clad Wood Single or Double Hung Operating Window  
 with Concealed Jambliner / Screw Thru Frame Installation*

SHEET: 2 OF 2

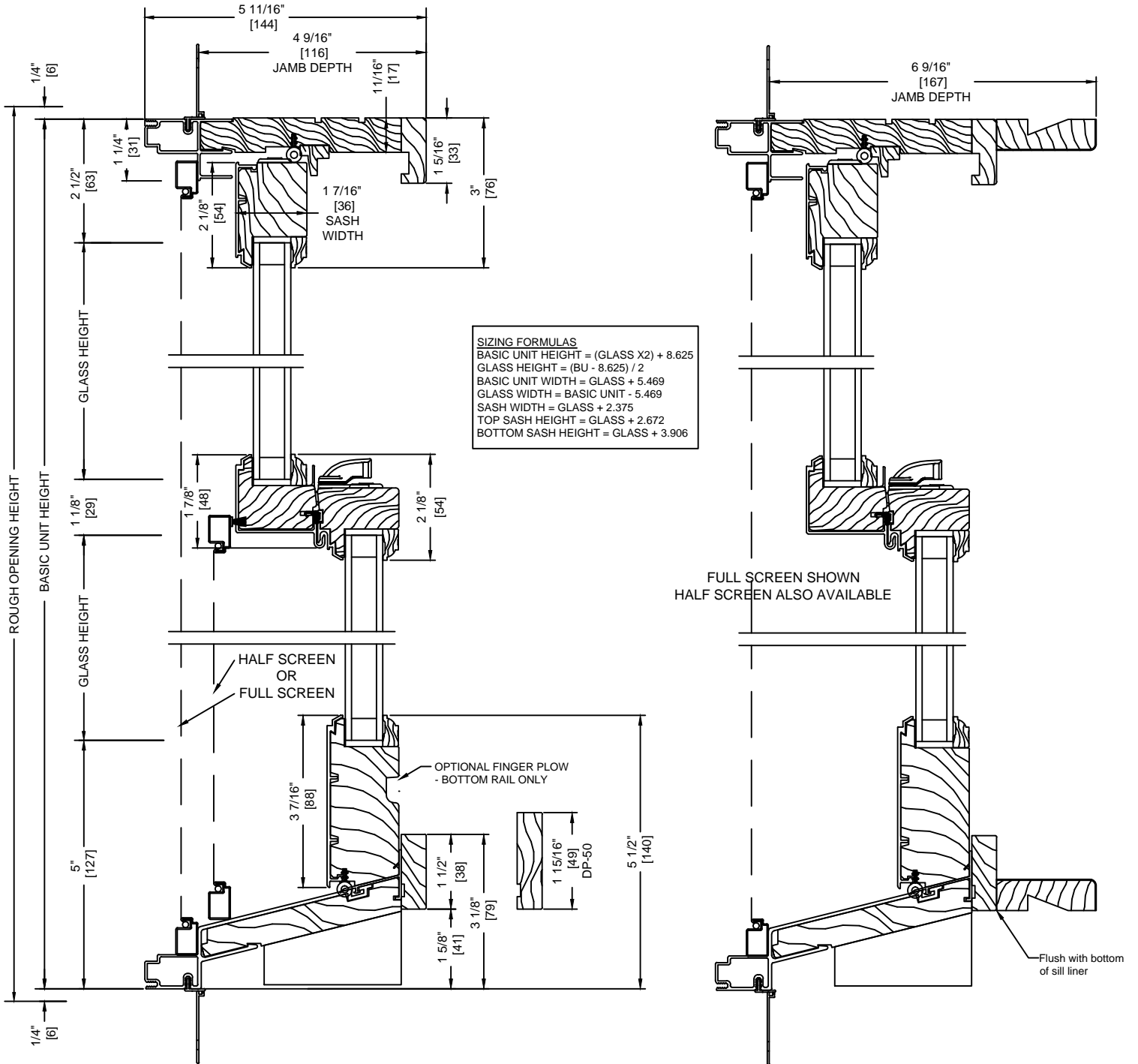
DRAWN BY: H.W.D.

**FRAME ANCHOR REQUIREMENTS TABLE**

FRAME SHEAR SCREWS			
OPENING TYPE (SUBSTRATE)	FRAME/CLIP/NAIL FIN TO OPENING FASTENER TYPE	MINIMUM EMBED	MINIMUM EDGE DIST.
2X_ WOOD FRAME OR BUCK (MIN. GR. 3 & G=0.55)	NO. 10 SMS OR WOOD SCREW	1 $\frac{1}{4}$ "	3/4"
MIN. 18 GA. 33 KSI METAL STUD	NO. 10 SELF TAP/DRILLING SCREW	FULL	1/2"
MIN. 1/8" THK A36 STEEL	NO. 10 SELF TAP/DRILLING SCREW	FULL	1/2"
MIN. 1/8" THK 6063-T5 ALUM.	NO. 10 SELF TAP/DRILLING SCREW	FULL	1/2"
CMU/CONCRETE	(1) 1/4" CONCRETE SCREW	1 $\frac{1}{4}$ "	2"

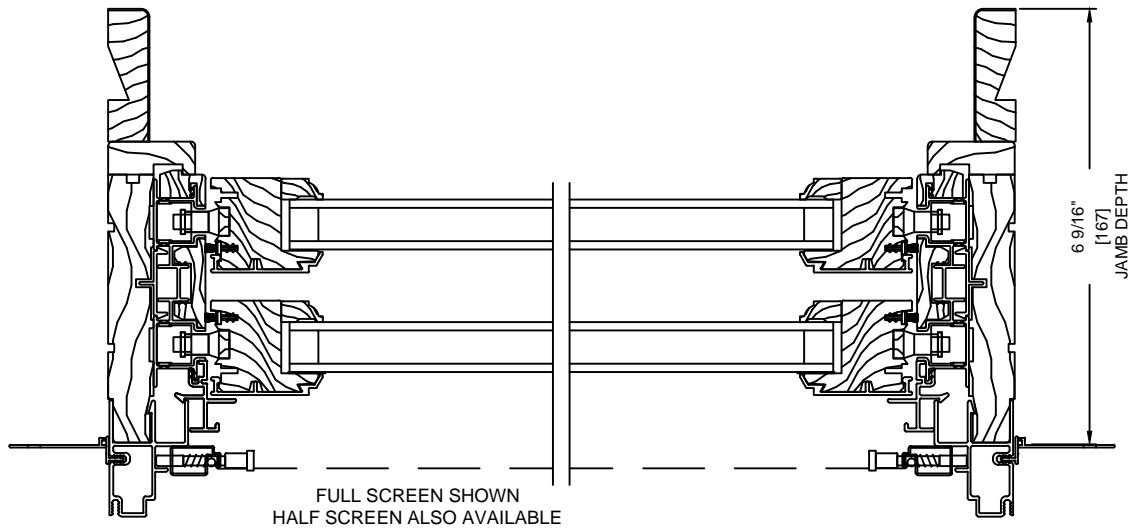
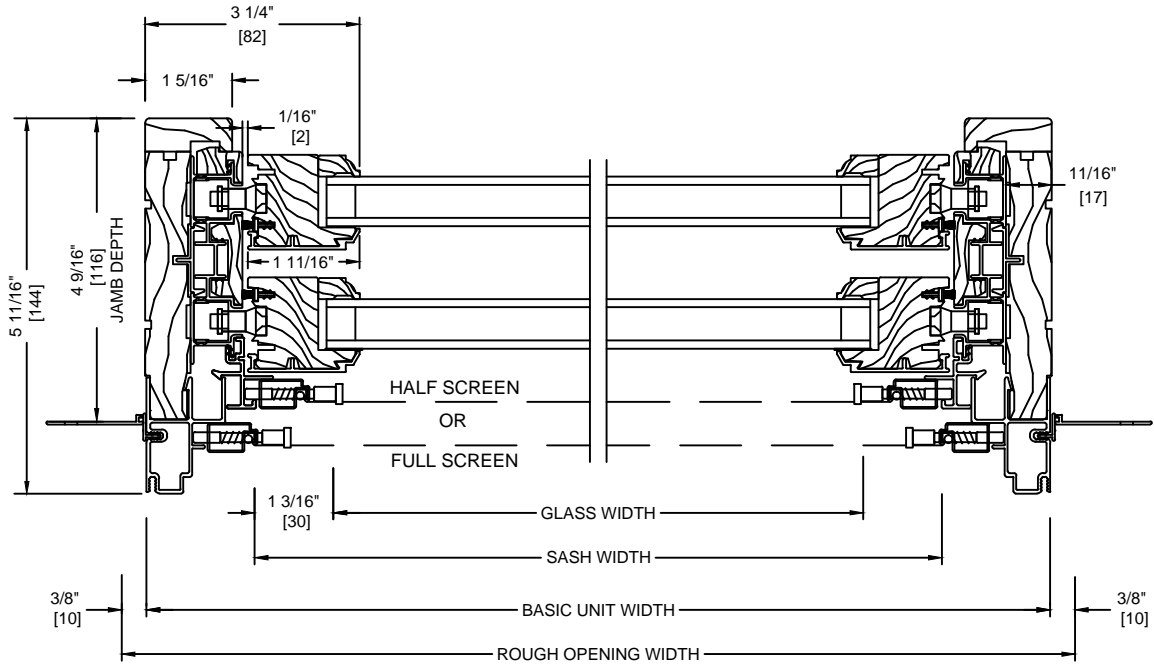
(1) CONCRETE SCREWS SHALL BE ELCO OR ITW RAMSET/RED HEAD TAPCONS, HILTI KWIK-CON II OR POWERS RAWL TAPPER (HARDENED STEEL OR S.S.).

Installation requirements may vary in particular locations and in other types of construction. Proper installation is essential, and Sierra Pacific Windows, recommends consultation with an AAMA Certified Installer, or other qualified, registered building professional before installation of any SPW product. Proper installation of SPW products is the responsibility of the installer. SPW is not responsible for proper installation. SPW is not responsible for the design of, conditions in, or performance of building construction beyond the perimeters of the SPW units. SPW is not responsible for proper integration of the SPW units with the weather-repellent systems of the building.





# Aluminum Clad Wood Tilt Double Hung Windows



# H3 2.0 Double Hung Nail Fin Installation Guidelines

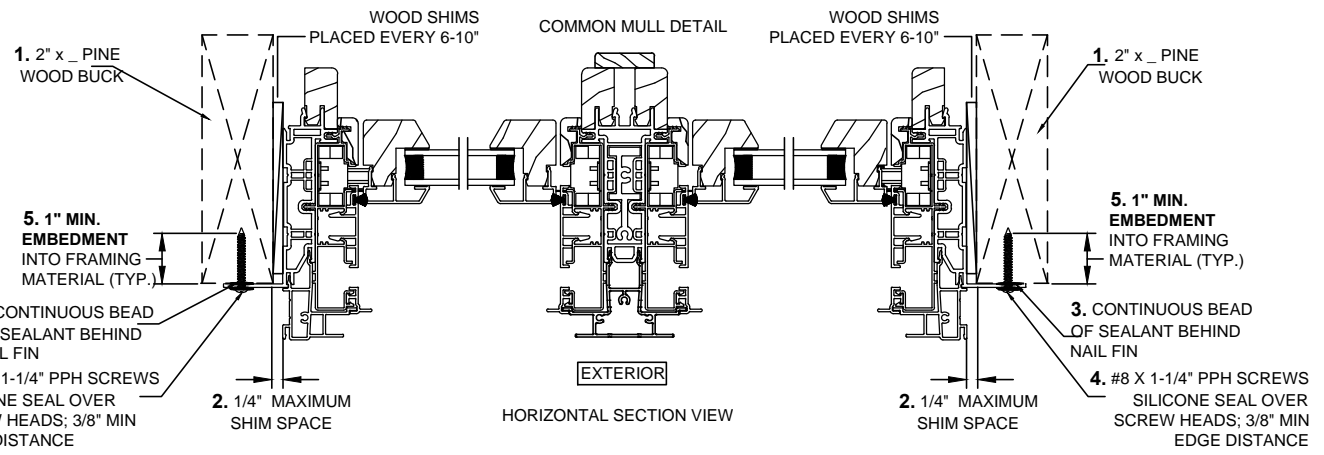
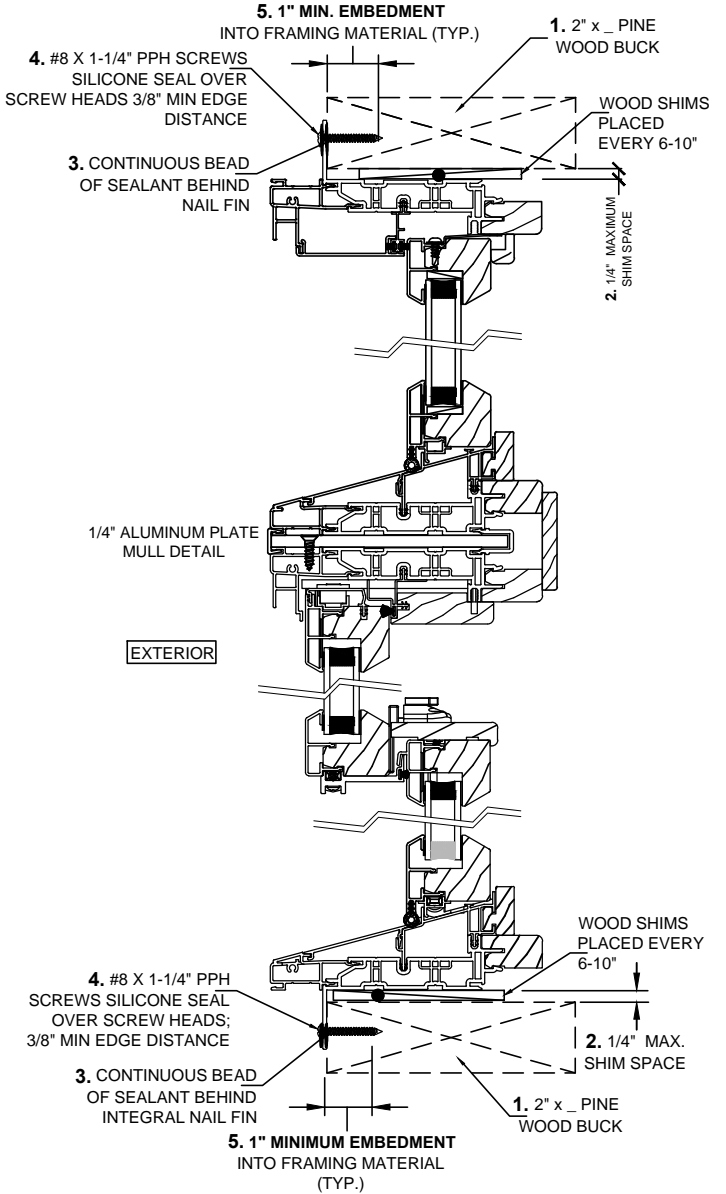
## H3 2.0 DH OPERATING / TRANSOM VERTICAL SECTION VIEW

**INSTALLATION NOTES:**

1. USE 2" x PINE FOR WOOD BUCK
2. 1/4" MAXIMUM SHIM SPACE AT HEAD, SILL & EACH JAMB. PLACE WOOD SHIMS EVERY 6-10"
3. APPLY A CONTINUOUS BEAD OF SEALANT BETWEEN THE INTEGRAL VINYL NAIL FIN AND THE BUCK AT THE HEAD, SILL AND SIDE JAMBS TO SECURE INTEGRAL VINYL NAIL FIN TO FRAMING MATERIAL
4. INSTALL #8 X 1-1/4" PPH SCREWS SPACED APPROXIMATELY 1-3" FROM EACH CORNER AND 3-4" ON CENTER THEREAFTER, THROUGH THE INTEGRAL VINYL NAIL FIN INTO THE FRAMING MATERIAL, AT HEAD, SILL AND SIDE JAMBS; 3/8" MIN EDGE DISTANCE. SILICONE SEAL OVER SCREW HEADS.
5. 1" MINIMUM FASTENER EMBEDMENT INTO FRAMING MATERIAL
6. INSTALLATION CLIPS PLACED AT EACH MULL POST END LOCATION AT THE HEAD & SILL AND EACH SIDE OF HORIZONTAL MULL LOCATION AT EACH END. EACH CLIP IS SECURED TO THE BUCK WITH TWO #8 X 32mm (1 1/4") PPH SCREWS.

**GENERAL INSTALLATION NOTES:**

- Check rough opening for proper size, plumb, level and square.
  - Make all necessary adjustments to ensure rough opening is plumb, level & square.
  - Sill must be flat, level and capable of supporting the weight of the unit.
  - Opening should allow a maximum of 1/4" shim space at head, sill and each jamb.
  - Consult full installation instructions found on the Sierra Pacific web site, [www.hurd.com](http://www.hurd.com), for all recommended installation procedures.
  - Wood buck, framing, fasteners, sealant and all wall system materials are provided by others
- FLASHING:**
- For units that have to meet a specific DP (Design Pressure) rating, any kind of building wrap must be folded and taped away from each rough opening before the unit is installed. Unit must come in contact with the building's bare sheathing. A bead of silicone must be applied to the backside of the nail fin where it meets the unit, at head and jambs.
  - Once unit is installed and flashed properly, untape the building wrap and trim flush with the unit's exterior. A bead of sealant must be placed along the seam joint of the building wrap and the unit. Tape the corner cuts in the building wrap. See full window installation brochure for complete flashing details.



Installation requirements may vary in particular locations and in other types of construction. Proper installation is essential, and Sierra Pacific Windows, recommends consultation with an AAMA Certified Installer, or other qualified, registered building professional before installation of any Sierra Pacific product. Proper installation of Sierra Pacific products is the responsibility of the installer. Sierra Pacific is not responsible for proper installation. Sierra Pacific is not responsible for the design of, conditions in, or performance of building construction beyond the perimeters of the Sierra Pacific units. Sierra Pacific is not responsible for proper integration of the Sierra Pacific units with the weather-repellent systems of the building.

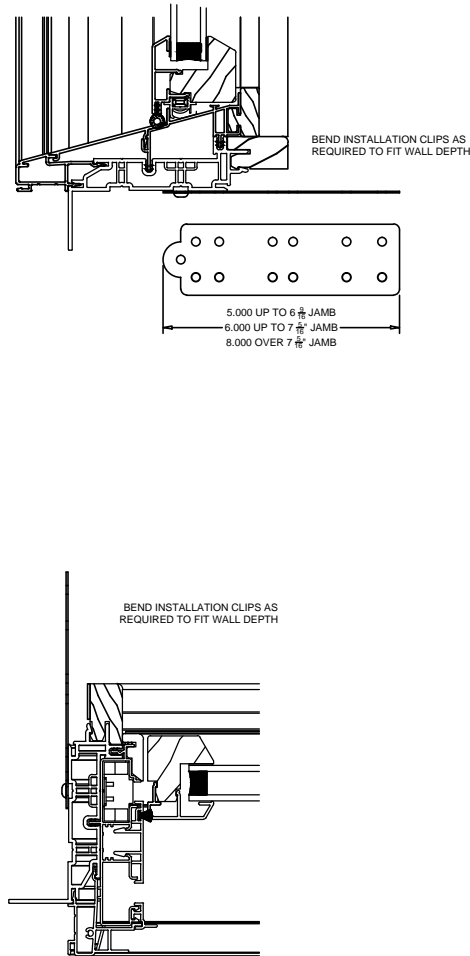
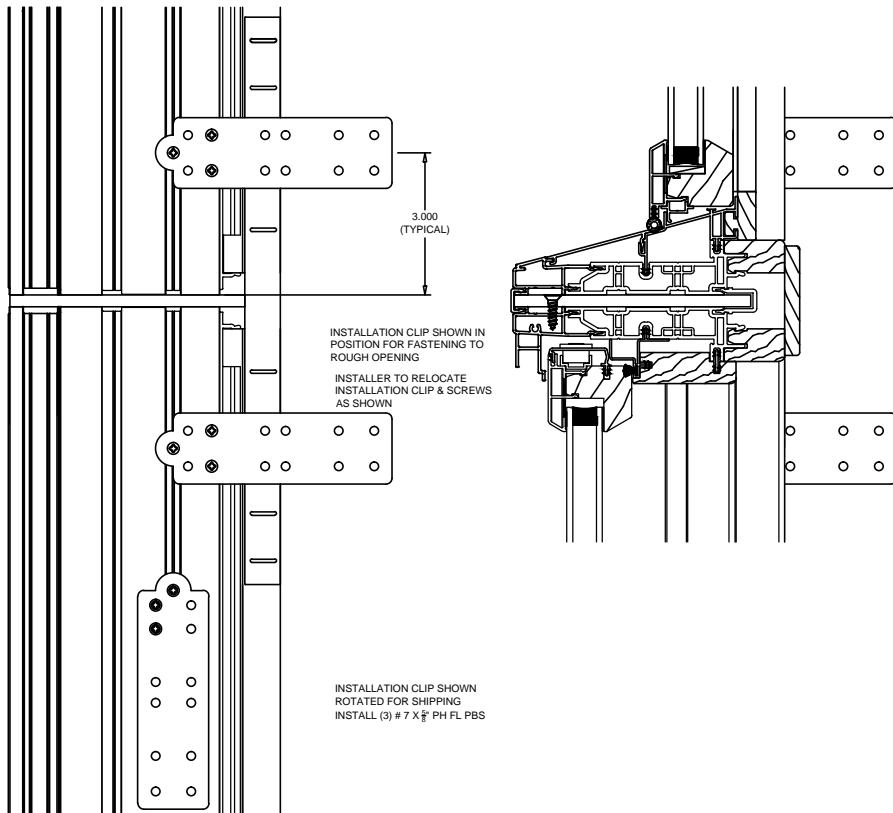
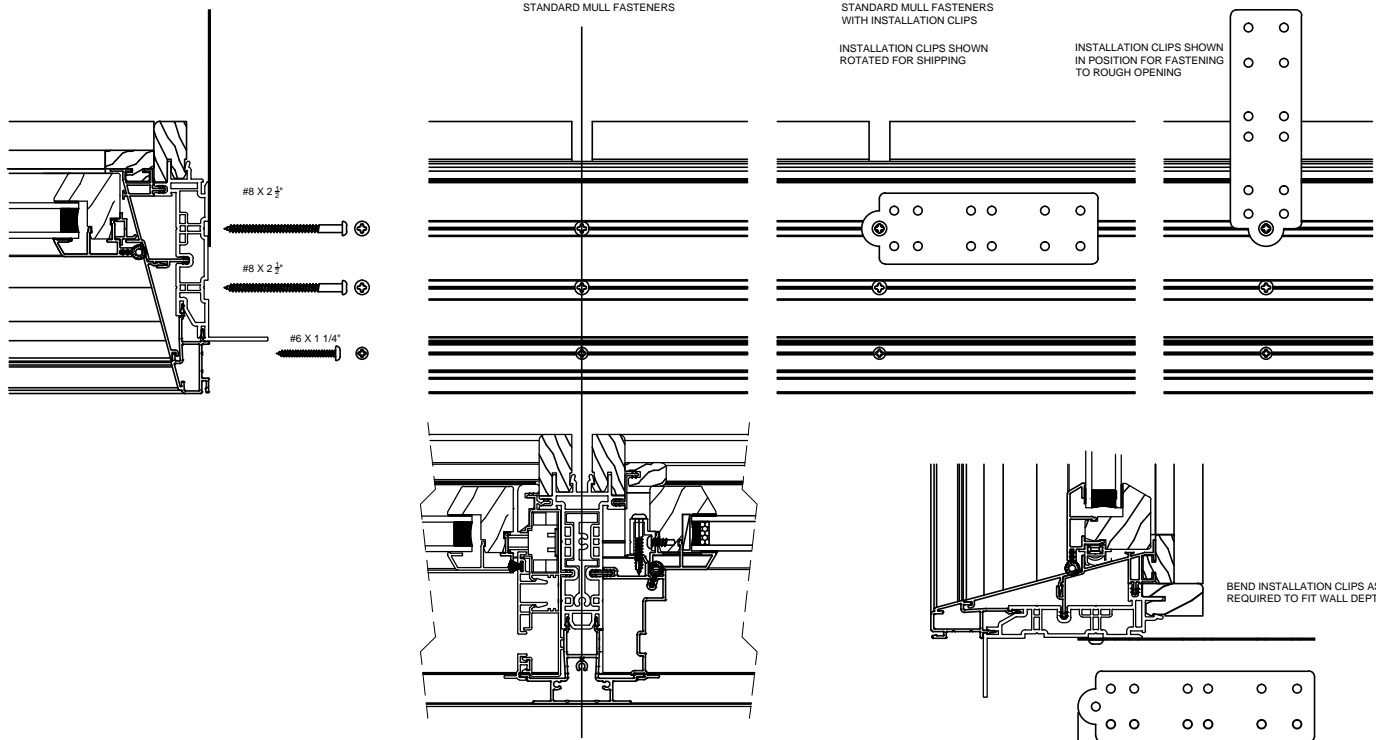




# H3 2.0 Double Hung Nail Fin Installation Guidelines

## INSTALLATION CLIPS AS REQUIRED

INSTALLATION CLIPS PLACED AT EACH MULL POST END LOCATION AT THE HEAD & SILL AND EACH SIDE OF HORIZONTAL MULL LOCATION AT EACH END. EACH CLIP IS SECURED TO THE BUCK WITH TWO #8 X 32mm (1 1/4") PPH SCREWS.



Installation requirements may vary in particular locations and in other types of construction. Proper installation is essential, and Sierra Pacific Windows, recommends consultation with an AAMA Certified Installer, or other qualified, registered building professional before installation of any Sierra Pacific product. Proper installation of Sierra Pacific products is the responsibility of the installer. Sierra Pacific is not responsible for proper integration of the Sierra Pacific units with the weather-repellent systems of the building.

