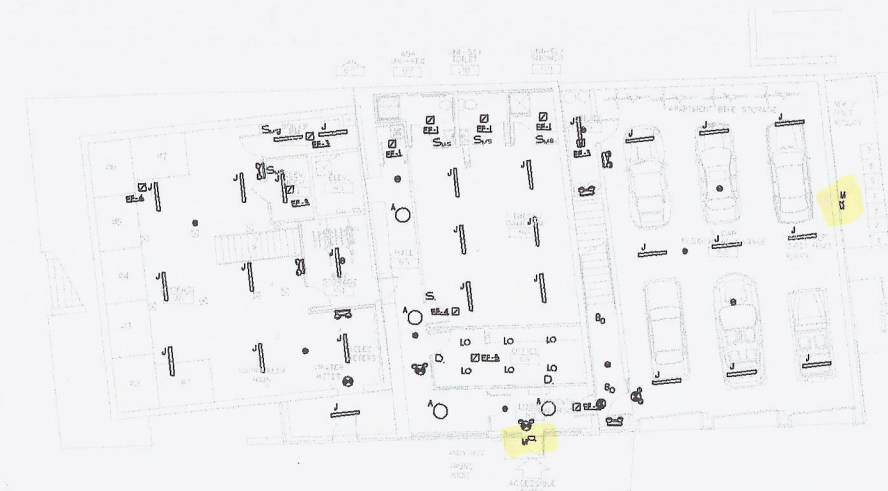


Station 415



FIRST FLOOR PLAN
SCALE: 1/8"=1'-0"



LOWER LEVEL PLAN
SCALE: 1/8"=1'-0"

FOR REVIEW 09-22-16



ALPHAarchitects
17 CHESTNUT STREET
PORTLAND, ME 04101
PHONE: 207.761.9500
FAX: 207.761.9595
design@alphaarchitects.com



BENNETT
ENGINEERING

PRELIMINARY:
NOT FOR
CONSTRUCTION:

Station 415
415 Cumberland Avenue
Portland, ME. 04101

Job: 16110

ISSUE DATE	
PRELIM-1	01-17-16
SFWD	-
CD's	-
REV. 1	-
REV. 2	-
PRINT	09-22-16

LOWER LEVEL & FIRST
FLR. LIGHTING PLAN

E2.0

Station 415



PENTHOUSE FLOOR PLAN
SCALE: 1/8"=1'-0"



SECOND FLOOR PLAN
SCALE: 1/8"=1'-0"

FOR REVIEW 09-22-16



ALPHA architects
17 CHRISTIAN STREET
PORTLAND, ME 04101
PHONE: 207.761.9500
FAX: 207.761.9505
design@alphaarchitects.com



BENNETT
ENGINEERING
1000 BROADWAY
PORTLAND, ME 04101
PHONE: 207.761.9500
FAX: 207.761.9505
ben@bennett-engineering.com

PRELIMINARY:
NOT FOR
CONSTRUCTION:

Station 415
415 Cumberland Avenue
Portland, ME. 04101

JOB#: 16110

ISSUE DATE	
PRELIM	01-17-16
SFCO	-
CD'S	-
REV. 1	-
REV. 2	-
PRINT	09-22-16

SECOND FLOOR &
MEZZANINE LIGHTING
PLAN

E2.1

QSP/RDI LED ARCHITECTURAL WALLPACKS

NEW

Cat.#

Job

STATION 413

Type

M



Approvals

SPECIFICATIONS

Applications:

- Architectural wallpack in two stylish shapes with molded contours to accentuate building architecture. Provides excellent illumination in energy-saving LED systems.
- Black box accessory available for surface conduit application

Construction:

- Die-cast aluminum housing and door
- Seven powder coat standard finishes, plus custom color options

LED:

- 30 high power LEDs deliver up to 5,062 lumens
- Up to 105 Lumens per watt
- Different lenses offer a variety of distribution patterns - Type II, III, and IV (Forward throw)
- 3000K - 80 CRI, 4000K - 70 CRI, and 5000K - 67 CRI, CCT nominal

Operating Temperature:

- 40°C/-40°F to 40°C/104°F for 350mA
- 30°C/-22°F to 40°C/104°F for 530mA

Electrical:

- Two driver options: 34w at 350mA (1 driver) and 53w at 525mA (1 driver)

Electrical (Cont.):

- Operating temperature: -30°C/-22°F to 40°C/104°F
- 120-277VAC, 50/60Hz
- Power factor ≥ 90%
- THD (Total Harmonic Distortion) <20%
- 10 KA, 10 KV, 270 joules surge suppressor

Controls:

Drivers are 0-10V dimming standard; Photocell and occupancy sensor options available for complete on/off and dimming control

Listings:

- UL 1598 listed for use in wet locations
- 4K and 5K models meet DesignLights Consortium (DLC) qualifications, consult DLC website for more details: <http://www.designlights.org/QPL>
- Zero uplight (UO), dark sky, neighbor friendly
- Drivers IP66 and RoHS compliant

Warranty:

For more information visit: <http://www.hubbelloutdoor.com/resources/warranty/>

PRODUCT IMAGE(S)

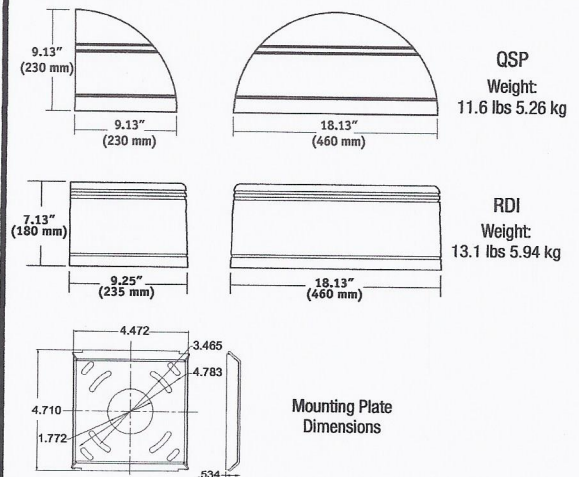


QSP



RDI

DIMENSIONS



QSP
Weight:
11.6 lbs 5.26 kg

RDI
Weight:
13.1 lbs 5.94 kg

SHIPPING INFORMATION

Catalog Number	G.W(kg)/CTN	Carton Dimensions		
		Length Inch (cm)	Width Inch (cm)	Height Inch (cm)
QSP	17 (7.7)	20.5 (52)	10.5 (26)	11 (28)
RDI	18 (8.2)	20.5 (52)	9.5 (24)	12 (30)

CERTIFICATIONS/LISTINGS



*3000K and warmer CCTs only

ORDERING INFORMATION

ORDERING EXAMPLE: TRP-30L5K-053-2-U-DB

FAMILY	# OF LEDS	CCT	DRIVE CURRENT	DISTRIBUTION	VOLTAGE	FINISH	CONTROL OPTIONS	OPTIONS
QSP Quartersphere	30L 30 High brightness LEDs	3K ⁴ 3000K	035 350mA	2 Type II	U 120V-277V	CC ³ Custom Color	PC ¹ Photocontrol (Must specify individual voltage)	F ¹ Fusing (Must specify individual voltage)
RDI Radius		4K 4000K	053 525mA	3 Type III	1 ¹ 120V	BL Black	SC0 ⁵ Motion sensor On/Off control, No light output when no motion detected	
		5K 5000K		4 Type IV	2 ¹ 208V 3 ¹ 240V 4 ¹ 277V	DB Bronze FG Forest Green GR Gray PS Platinum RD Red WH White	SCP ^{2,5} Programmable motion control, factory default is 10% light output	

¹ Must specify individual voltage for PC and Fusing options

² Must order minimum of one remote control to program dimming settings, 0-10V fully adjustable dimming with automatic daylight calibration and different time delay settings, 120V or 277V only

³ Consult factory for Custom Color option

⁴ DLC qualification 4K and 5K models only

⁵ PC option not applicable, included in sensor

[Controls Guide](#)



Spaulding Lighting • 701 Millennium Boulevard • Greenville, SC 29607 • Phone: 864-678-1000
Due to our continued efforts to improve our products, product specifications are subject to change without notice.

© 2015 SPALDING LIGHTING, All Rights Reserved • For more information visit our website: www.spauldinglighting.com • Printed in USA QSP/RDI-SPEC 6/15



HUBBELL
Lighting