



ALPHAarchitects  
17 CHESTNUT STREET  
PORTLAND, ME 04101  
PHONE: 207.761.9500  
FAX: 207.761.9595  
design@alphaarchitects.com

**© COPYRIGHT**  
Reuse or reproduction of the contents of this document is not permitted without written permission of ALPHA ARCHITECTS

FOR PERMIT

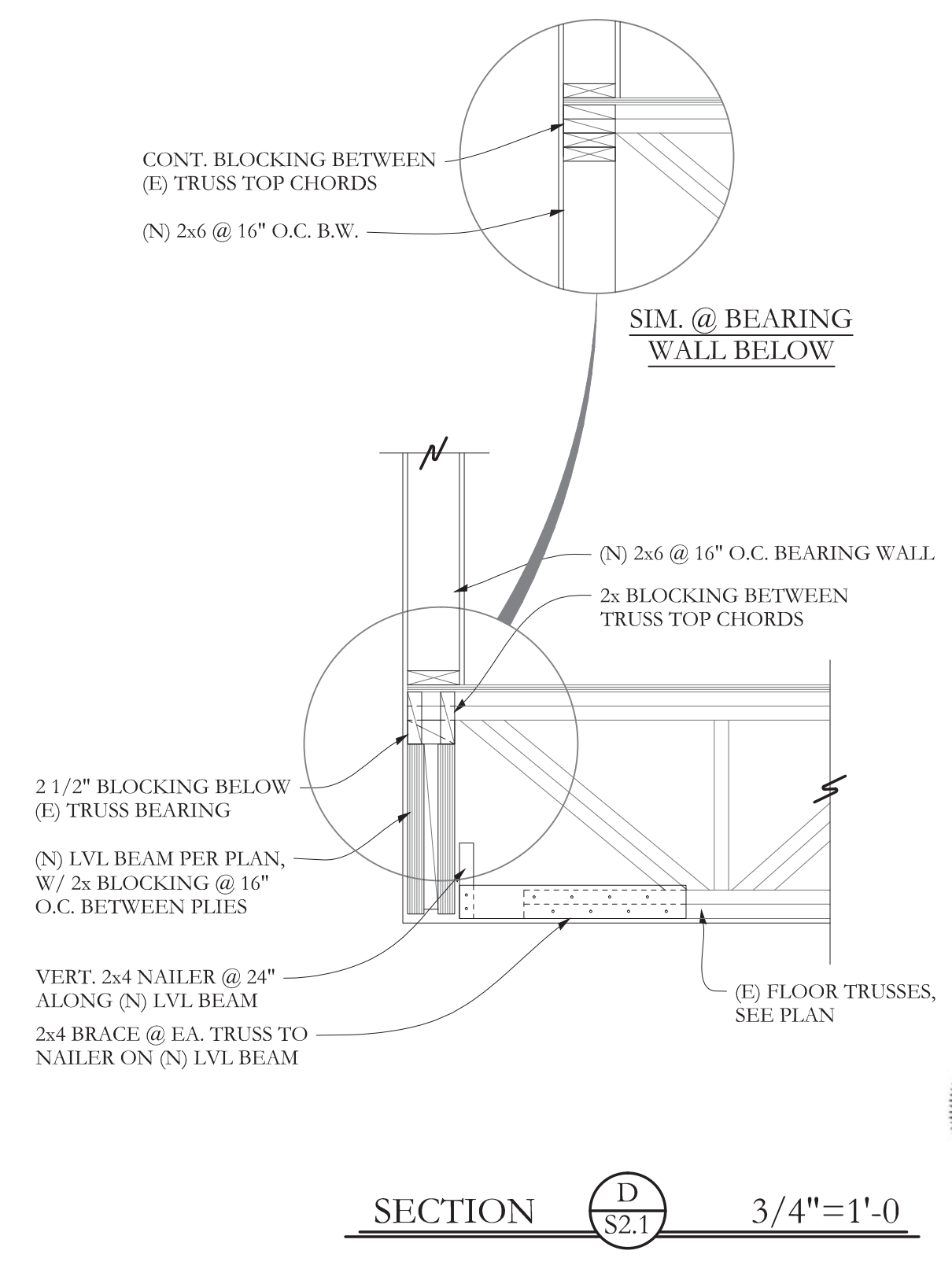
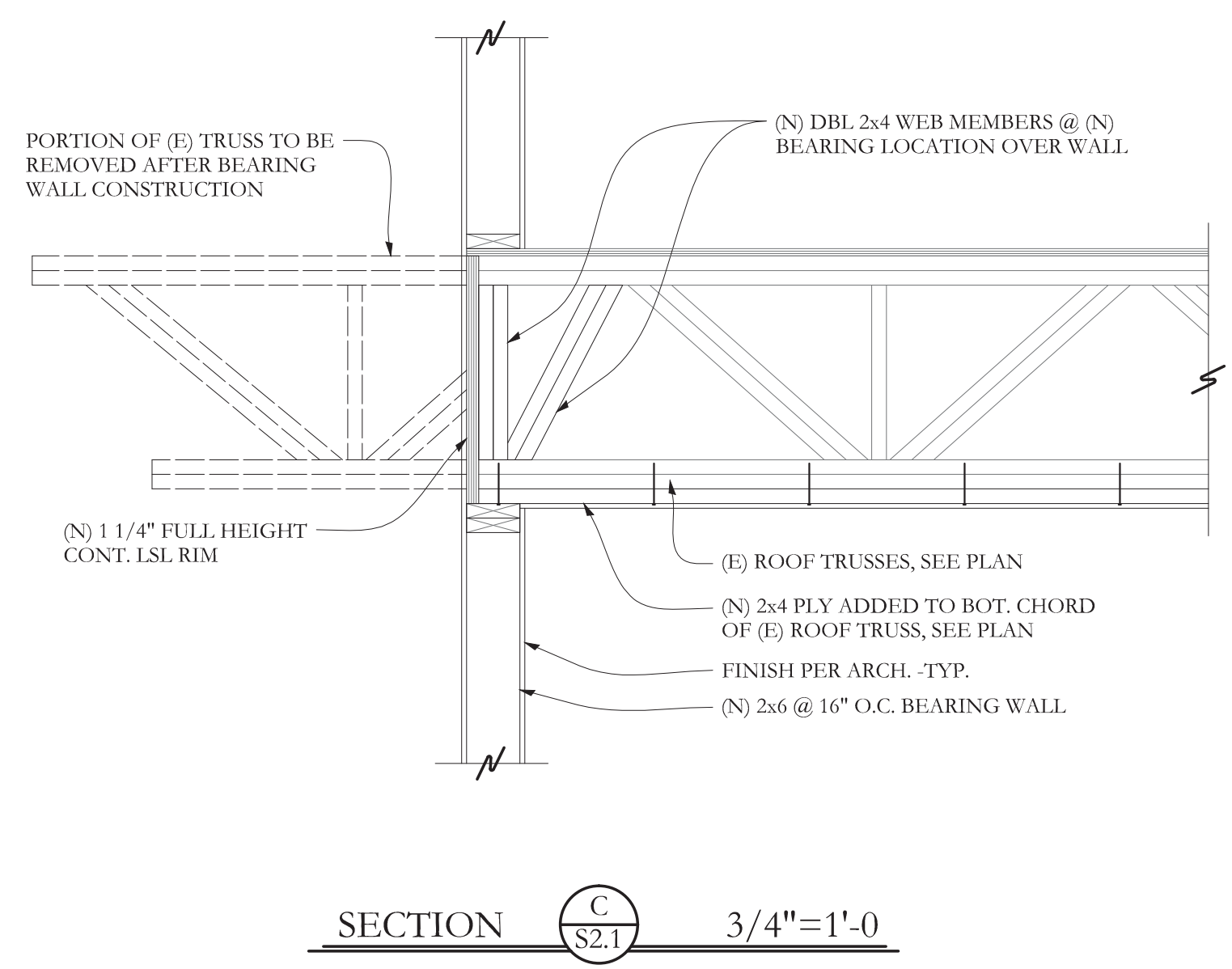
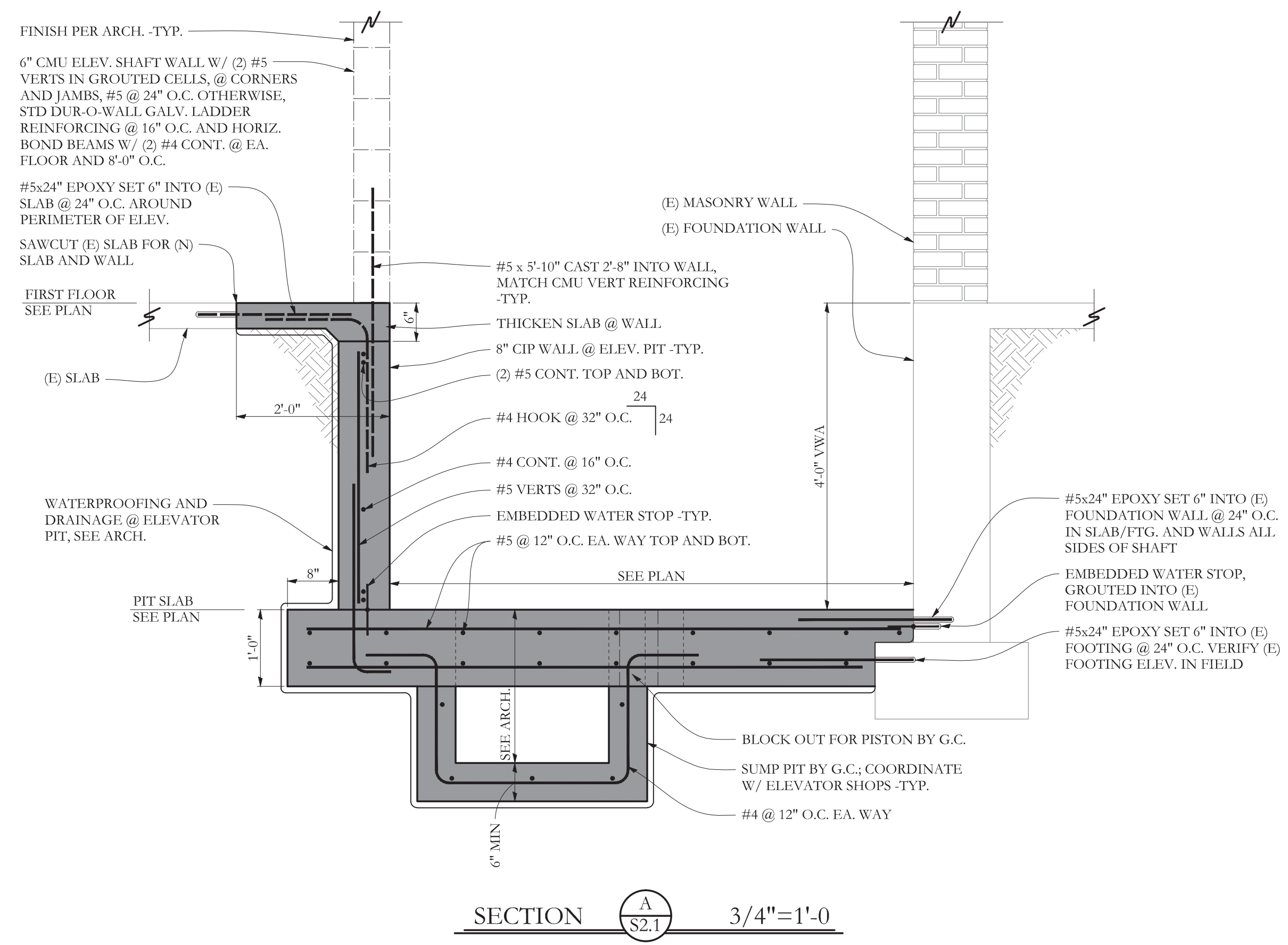
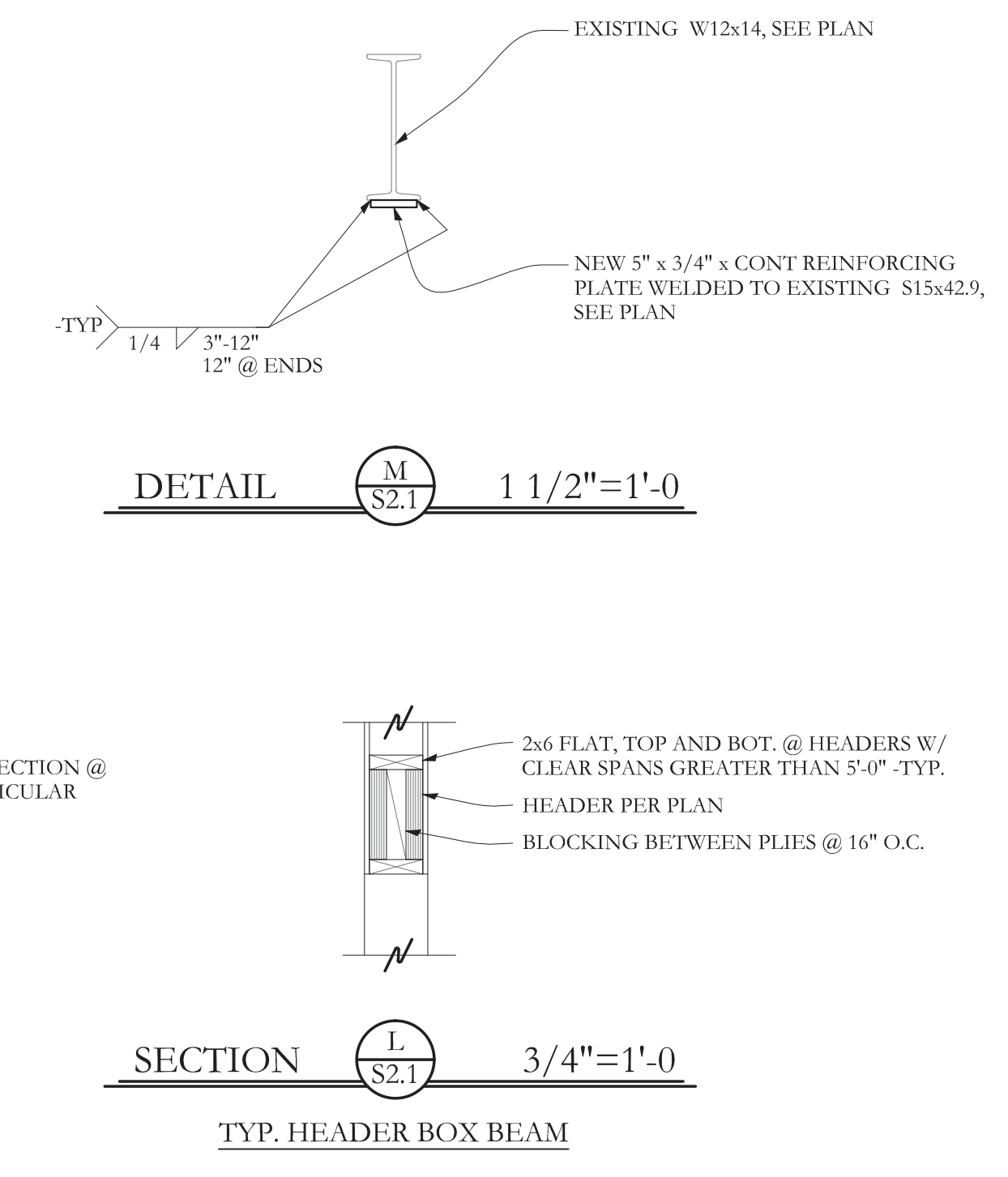
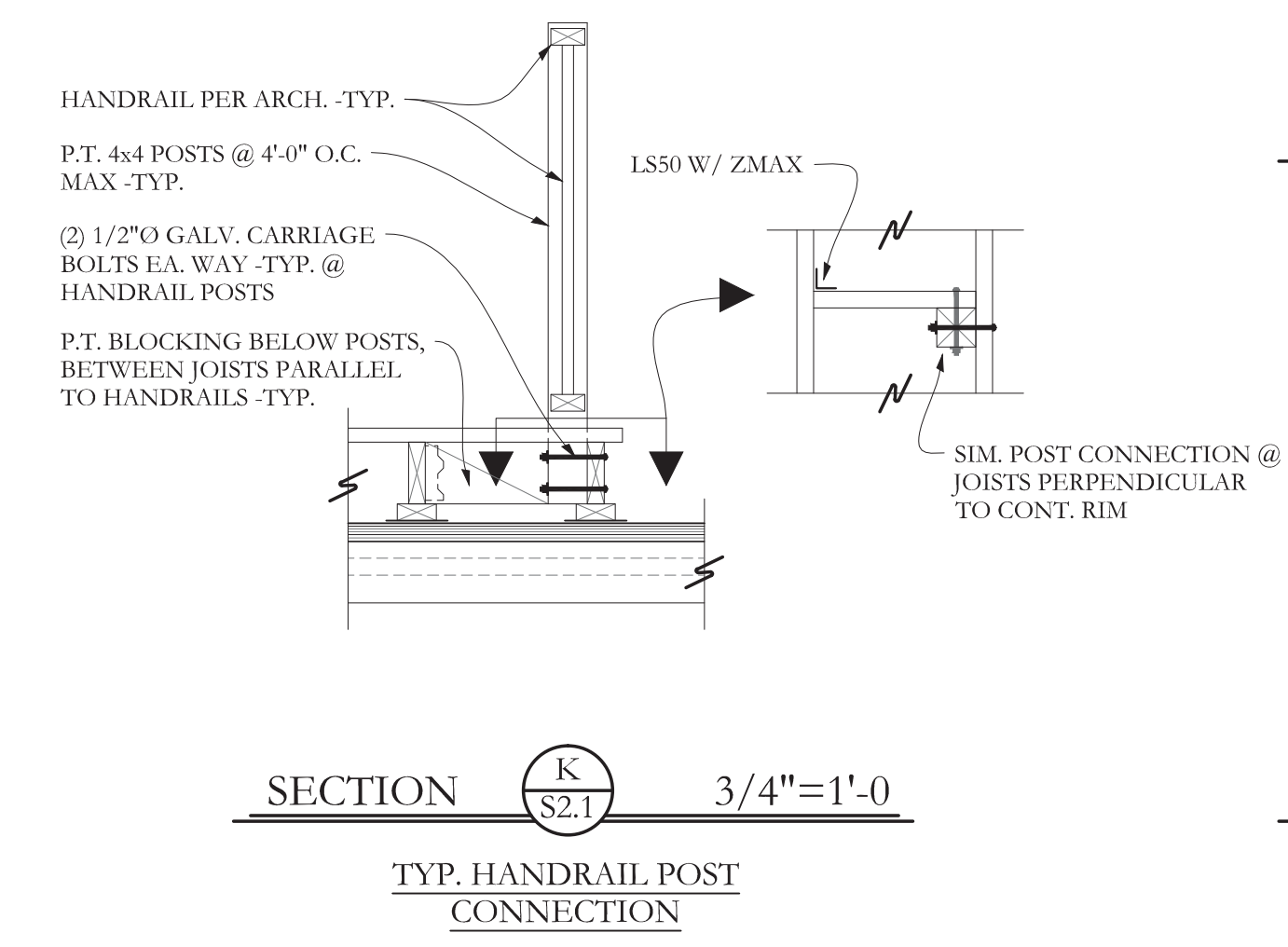
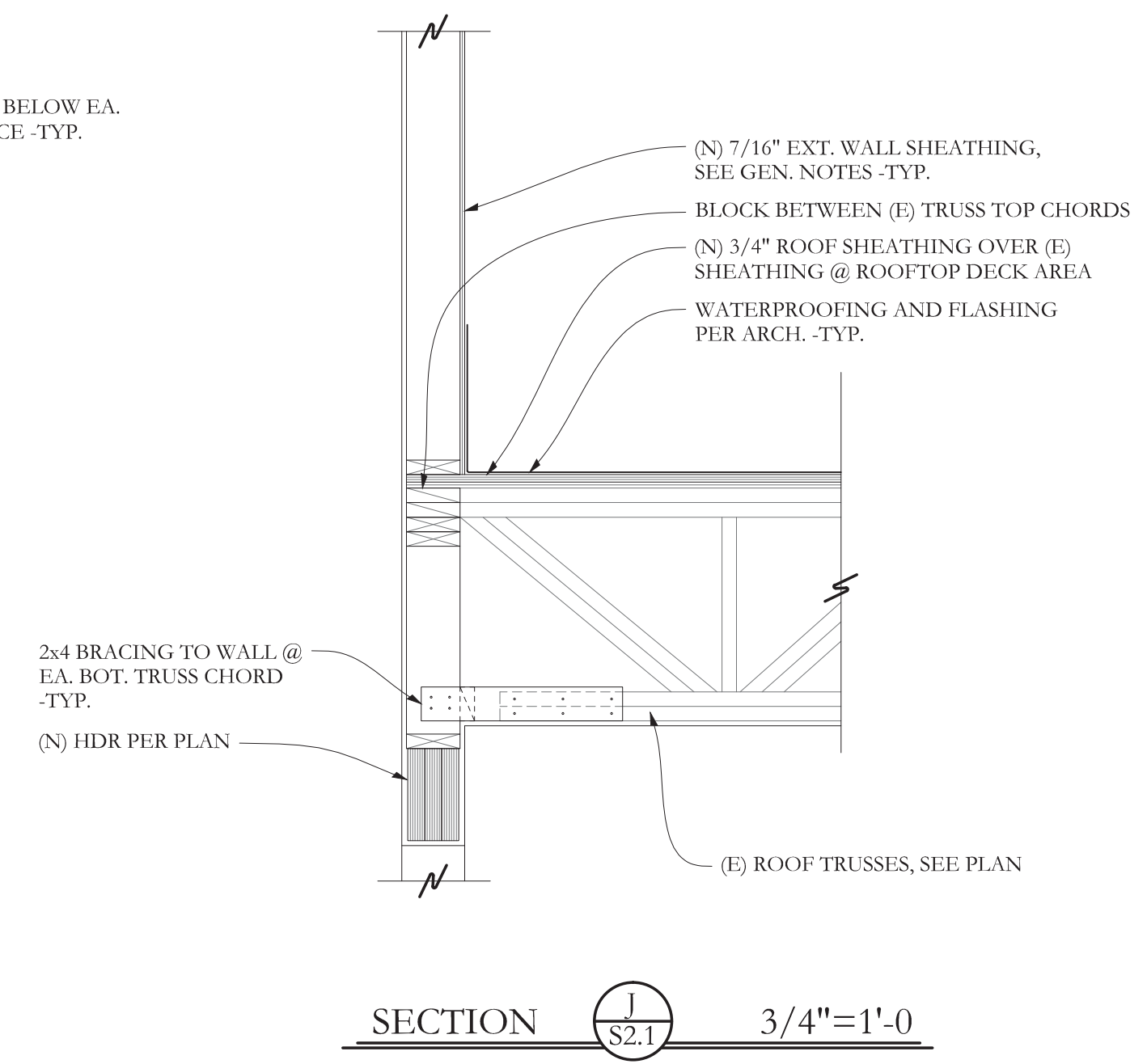
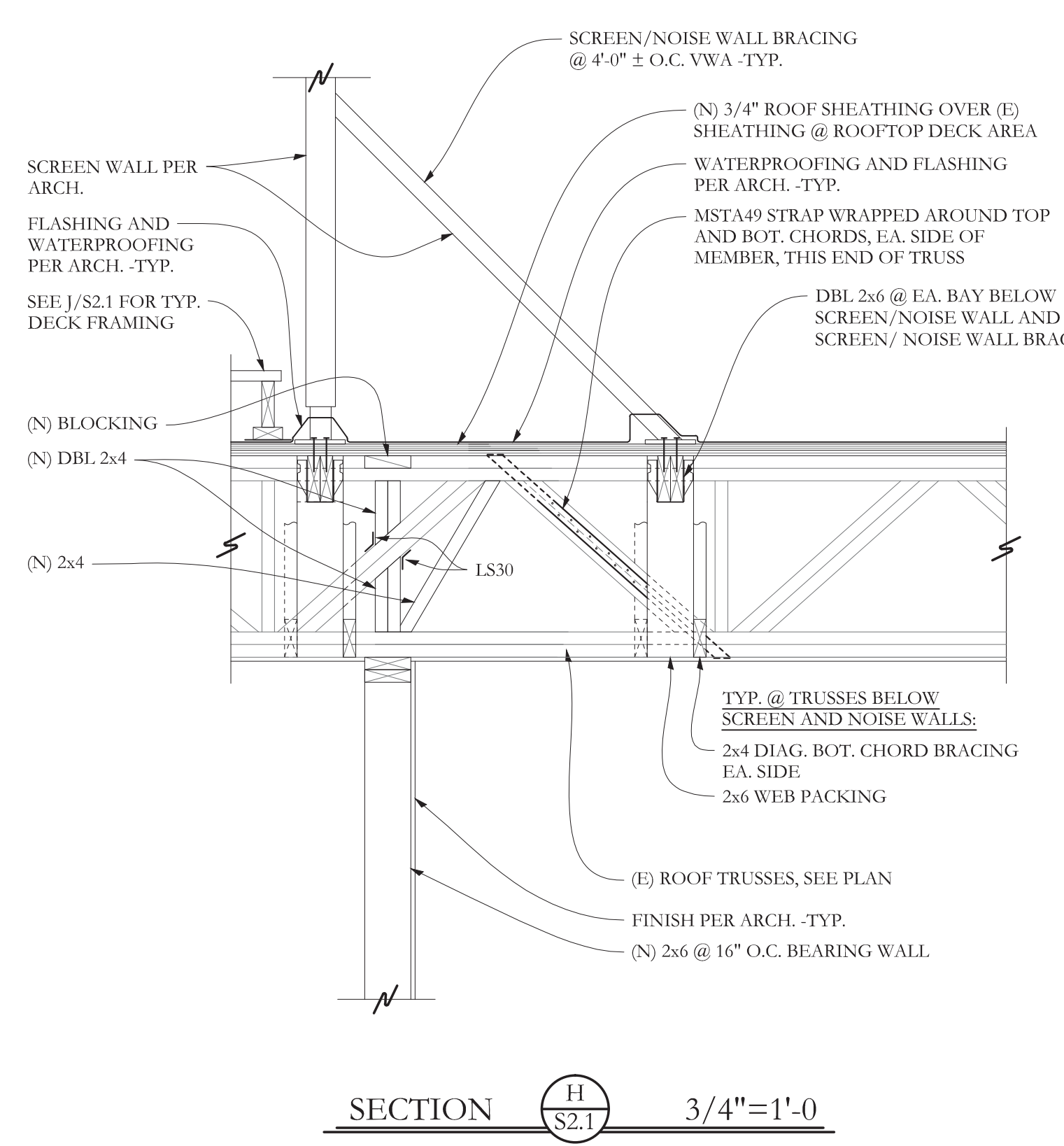
# Station 415

415 Cumberland Avenue  
Portland, ME. 04101

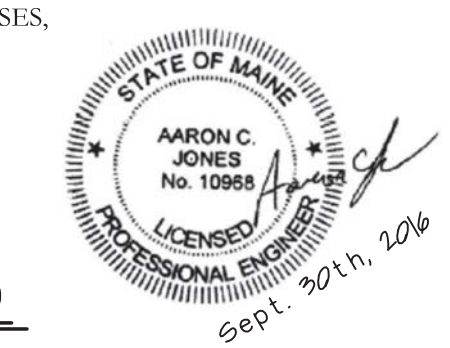
JOB: 16110

ISSUE DATE	
PRELIM	01-17-16
SFMO	-
CD's	-
REV. 1	-
REV. 2	-
PRINT	-

DETAILS  
**S2.1**



\* VERIFY ALL DIMENSIONS W/ ARCH AND ELEVATOR SHOP DRAWINGS PRIOR TO START OF CONSTRUCTION



**Structural Integrity**  
Consulting Engineers, Inc.  
77 Oak Street  
Portland, ME, 04101  
p. 207-774-4614  
f. 866-793-7835  
www.structuralintegrity.com

BUILD WITH CONFIDENCE  
© 2016 Structural Integrity Consulting Engineers, Inc.  
SI # 16-0036

11-22-16