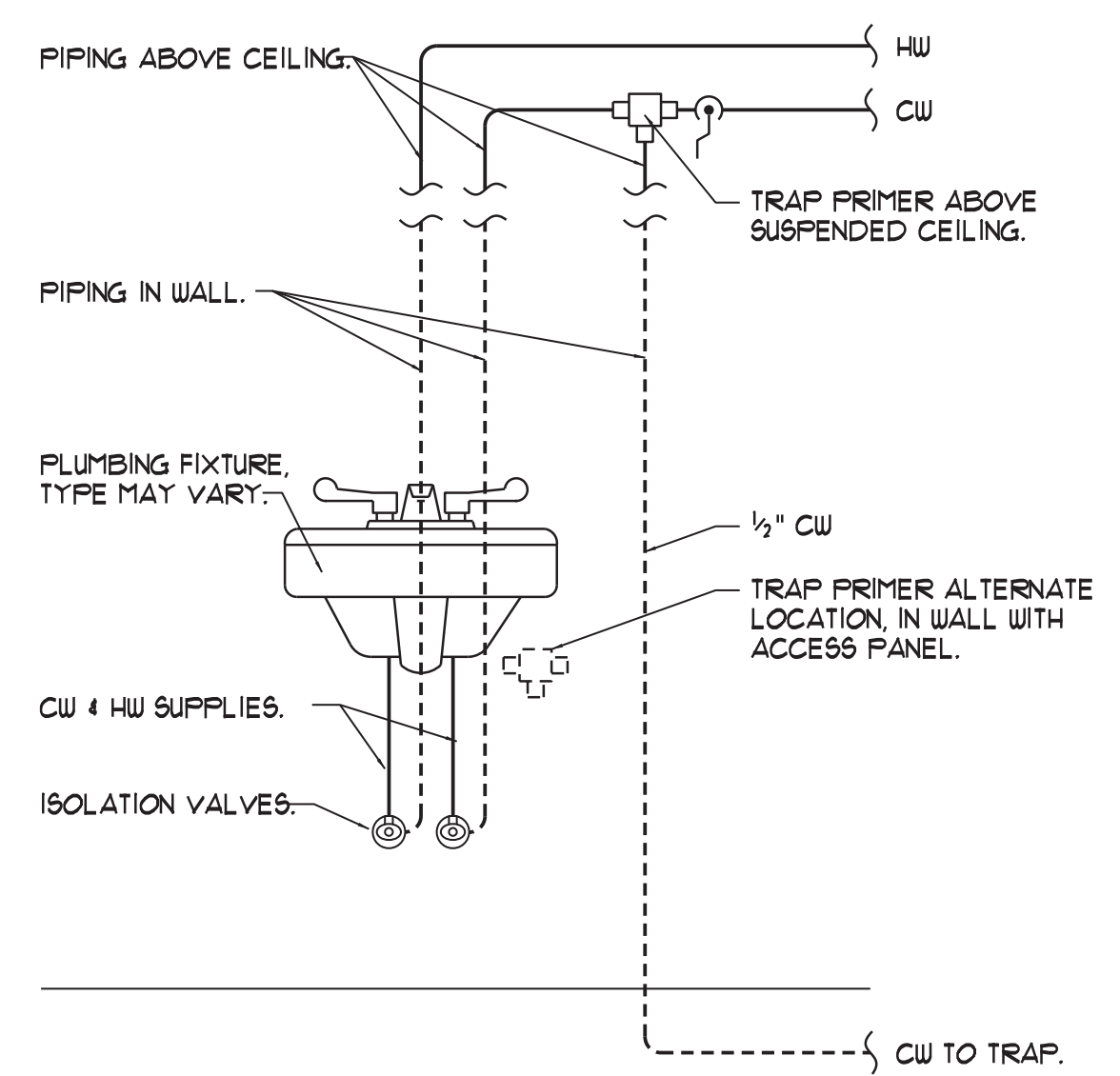
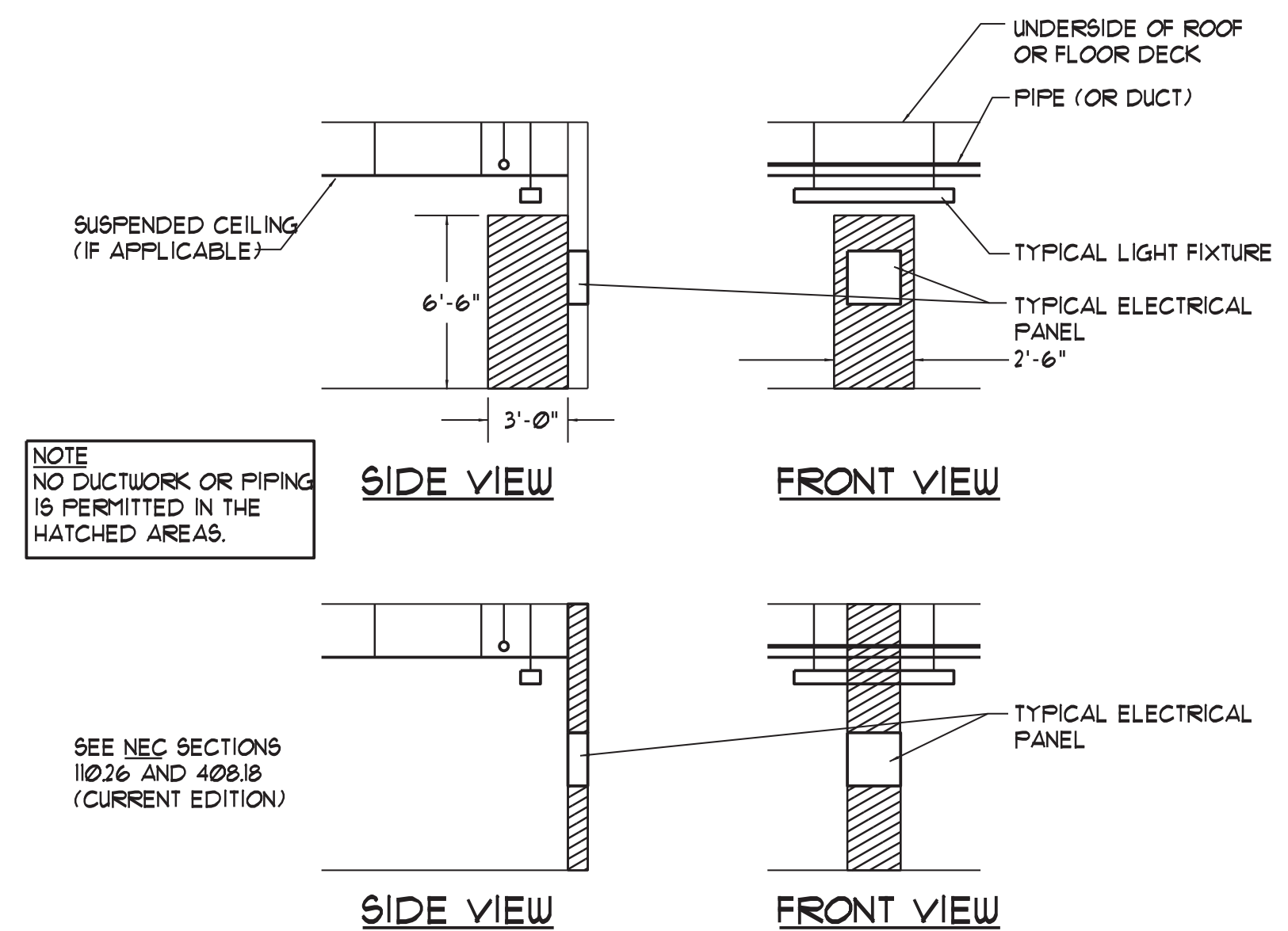


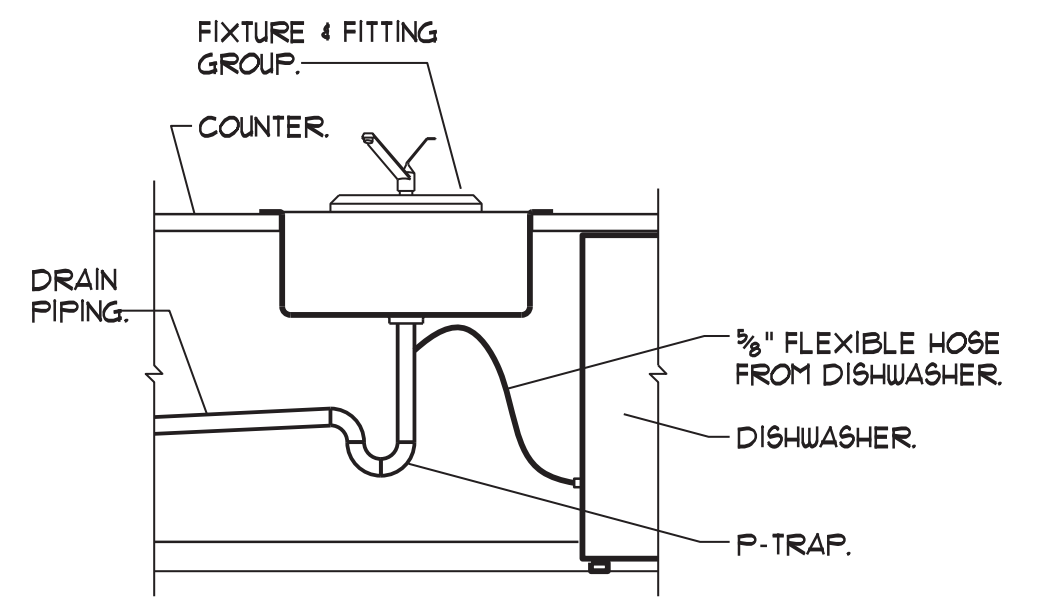
**LOW PRESSURE DUCT CONSTRUCTION DETAILS - TYPICAL**  
NTS



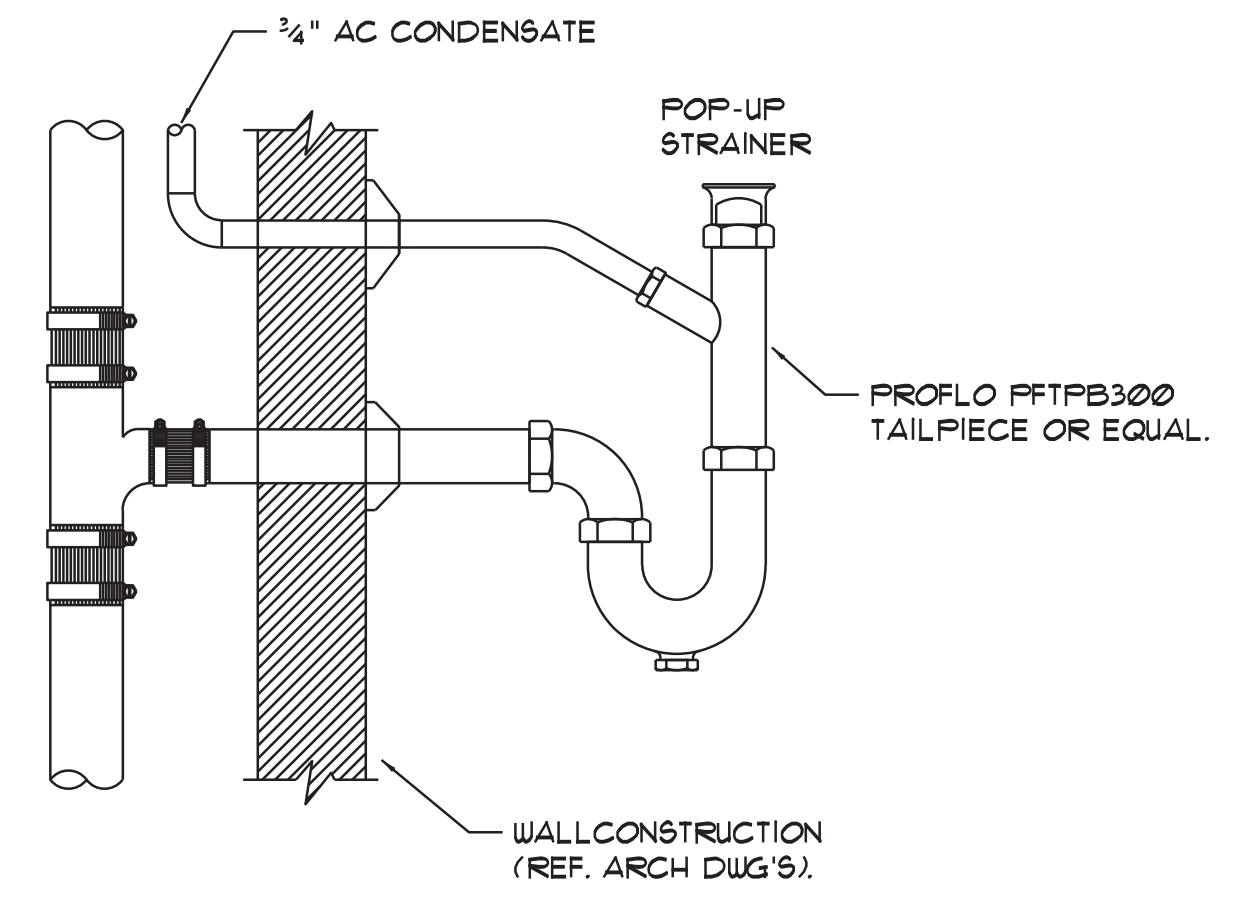
**TRAP PRIMER CONNECTION DETAIL**  
NTS  
NOTE - ALL FLOOR DRAINS SHALL HAVE TRAP PRIMERS, CONNECT TO NEAREST FIXTURE.



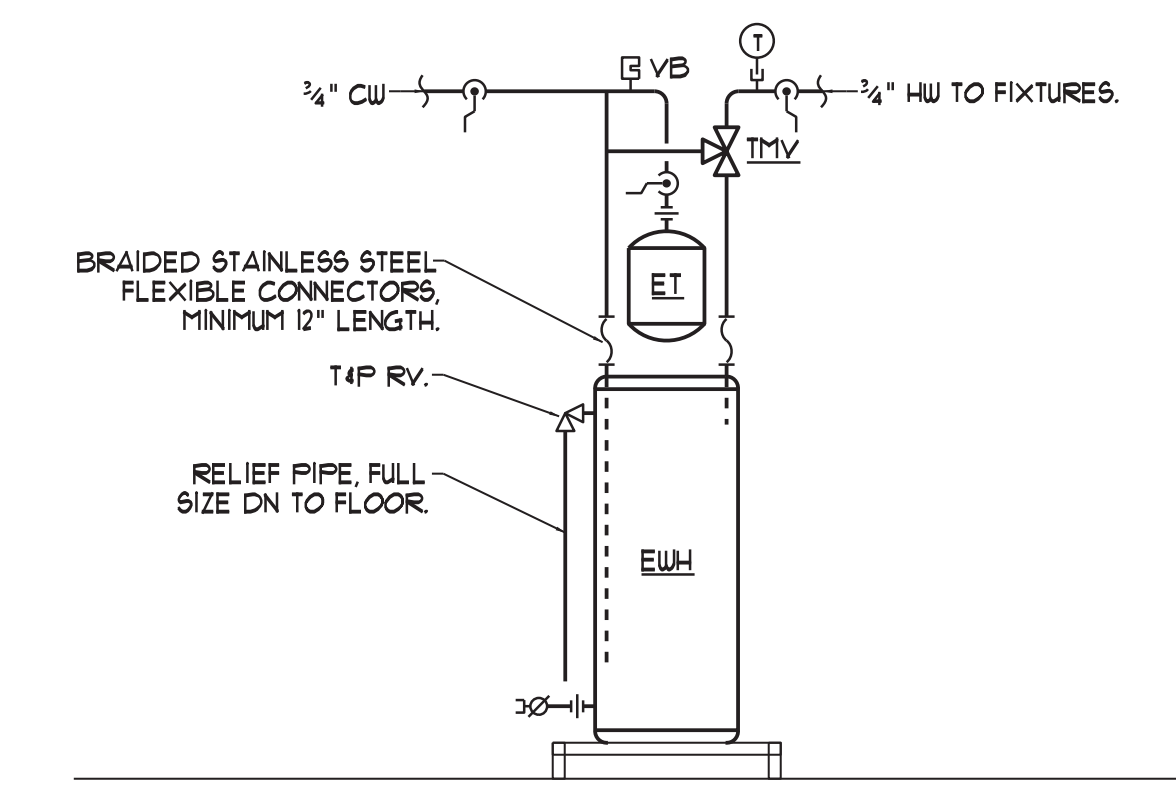
**CLEARANCES AT ELECTRICAL PANELS**  
NTS



**DISHWASHER DRAIN DETAIL**  
NTS  
TYPICAL AT ALL APARTMENT KITCHENS



**TYPICAL LAVATORY WITH 3/4" AC CONDENSATE CONNECTION DETAIL**  
NTS



**ELECTRIC WATER HEATER PIPING SYSTEM SCHEMATIC, TYPICAL**  
NTS



ALPHAarchitects  
17 CHESTNUT STREET  
PORTLAND, ME 04101  
PHONE: 207.761.9500  
FAX: 207.761.9595  
design@alphaarchitects.com



**Station 415**  
415 Cumberland Avenue  
Portland, ME. 04101

JOB: 16110

ISSUE DATE	
PRELIM	01-17-16
SFMO	-
CD's	-
REV. 1	-
REV. 2	-
PRINT	09-30-16

MECHANICAL DETAILS

**M4.2**

FOR PERMIT 09-30-16