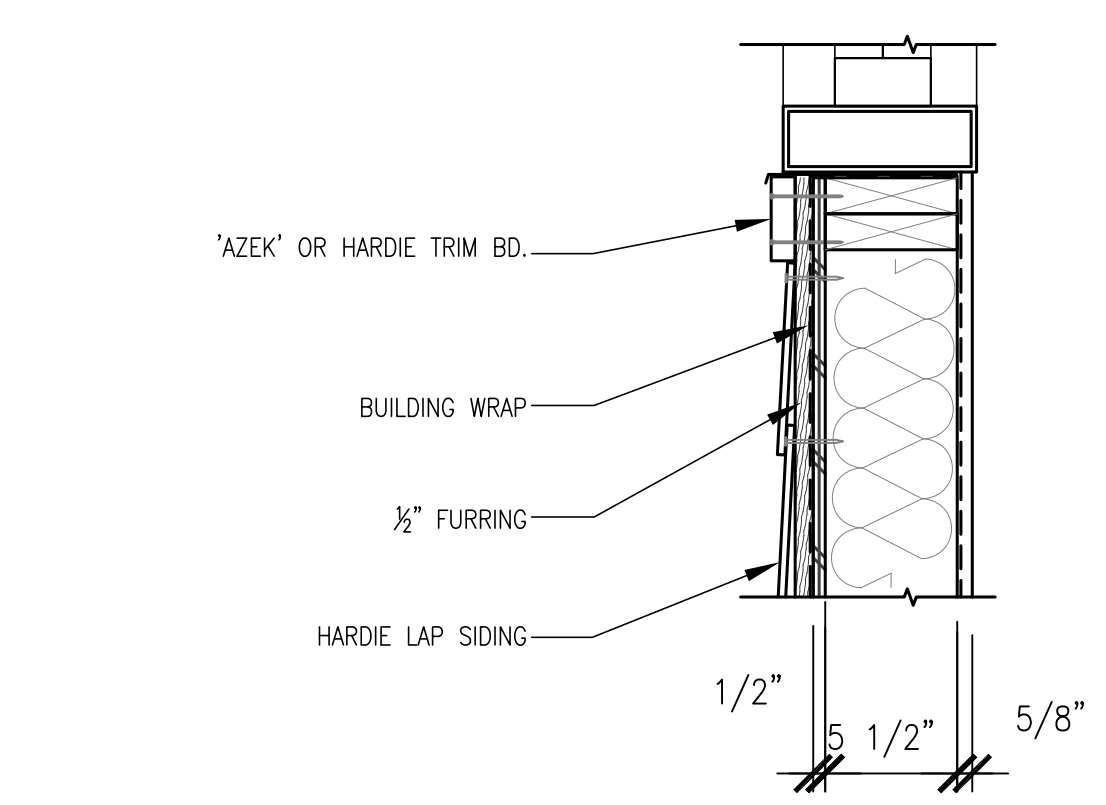
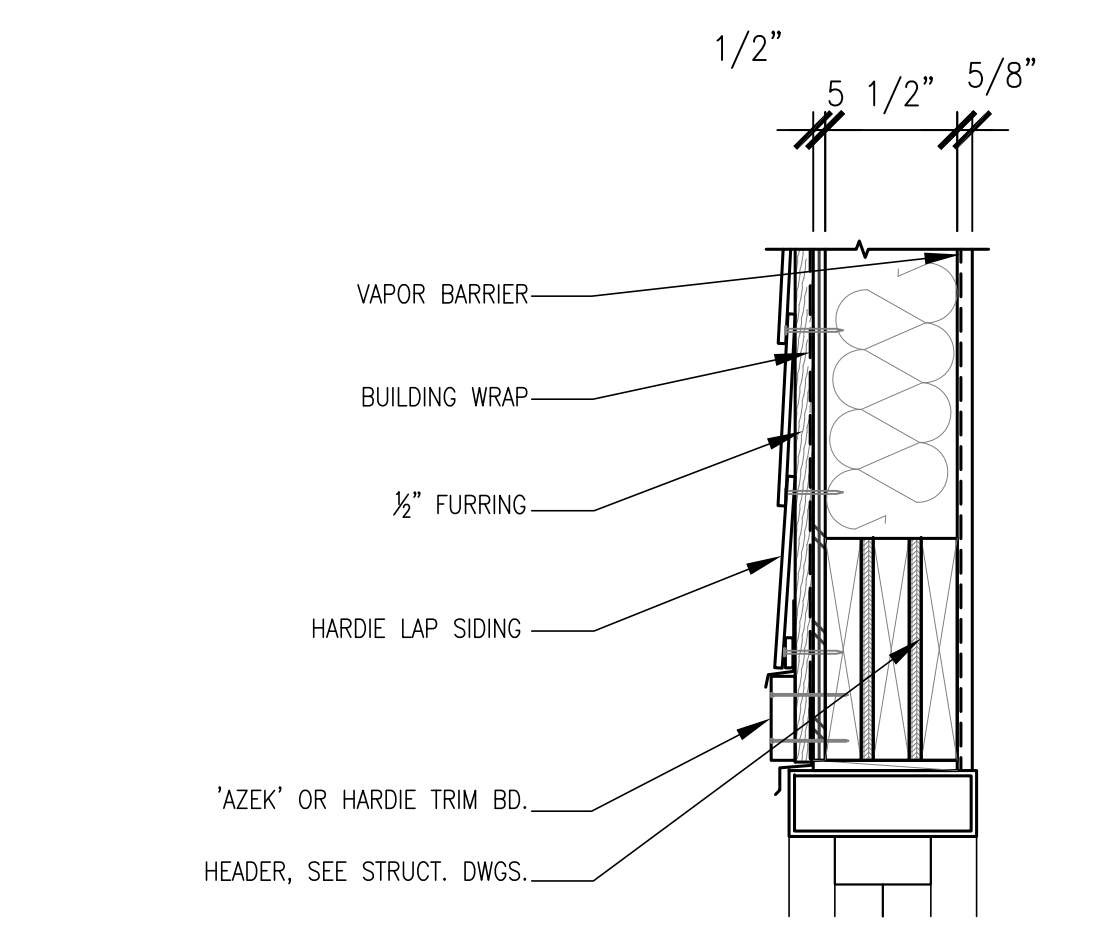
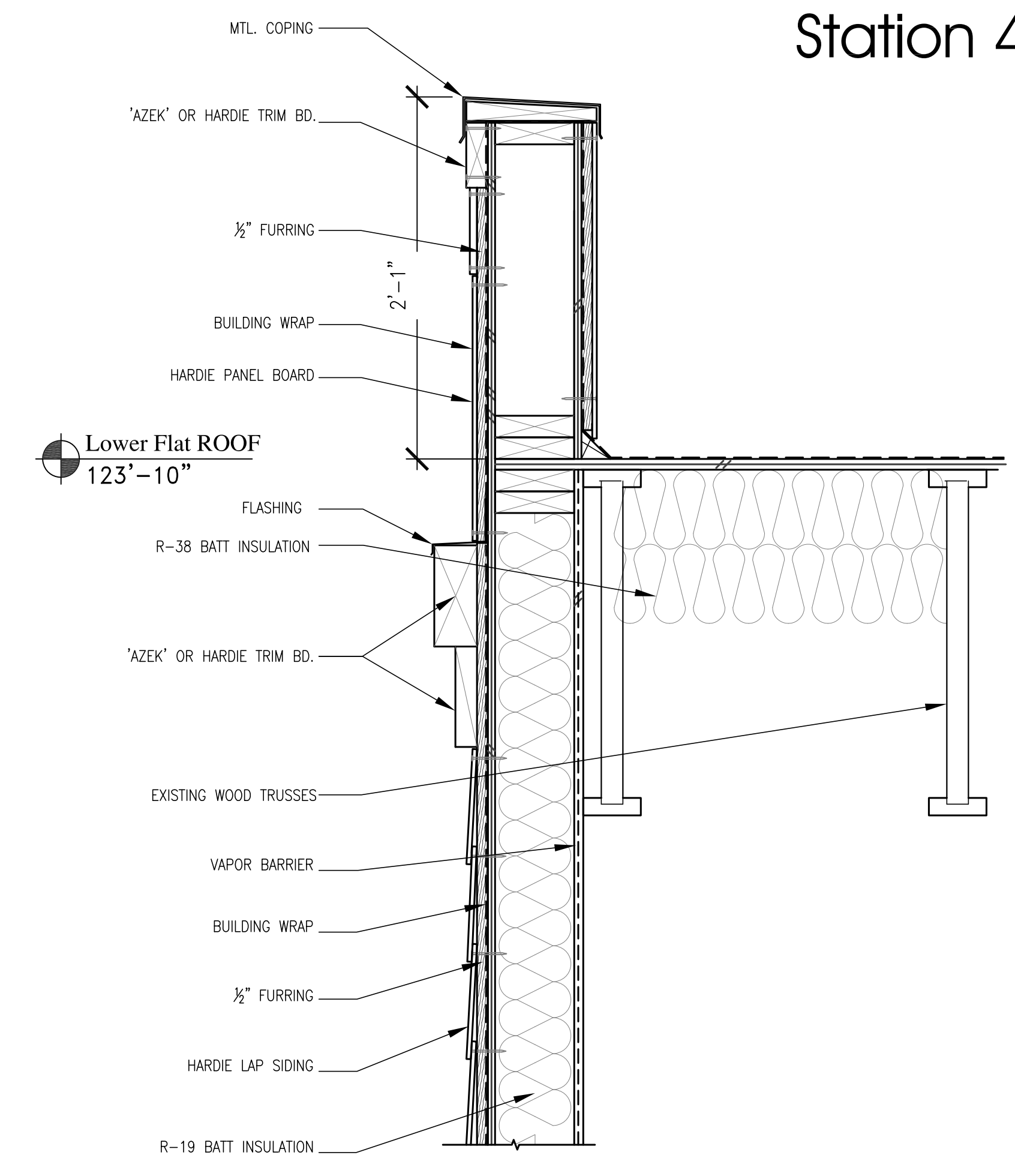


ALPHAarchitects
 17 CHESTNUT STREET
 PORTLAND, ME 04101
 PHONE: 207.761.9500
 FAX: 207.761.9595
 design@alphaarchitects.com

© COPYRIGHT
 Reuse or reproduction of the contents of
 this document is not permitted without
 written permission of ALPHA ARCHITECTS



Station 415
 415 Cumberland Avenue
 Portland, ME. 04101



1 WALL SECTION DETAIL
 A3.2 SCALE: 1 1/2" = 1'-0"

01-09-17

JOB: 16110

ISSUE DATE	
PERMIT	10-04-16
SFMO	09-29-16
CD's	-
REV. 4	11-17-16
REV. 5	01-09-17
PRINT	11-17-16

DETAILS
A3.2