



ALPHAarchitects
17 CHESTNUT STREET
PORTLAND, ME 04101
PHONE: 207.761.9500
FAX: 207.761.9595
design@alphaarchitects.com

© COPYRIGHT
Reuse or reproduction of the contents of this document is not permitted without written permission of ALPHA ARCHITECTS

FOR PERMIT

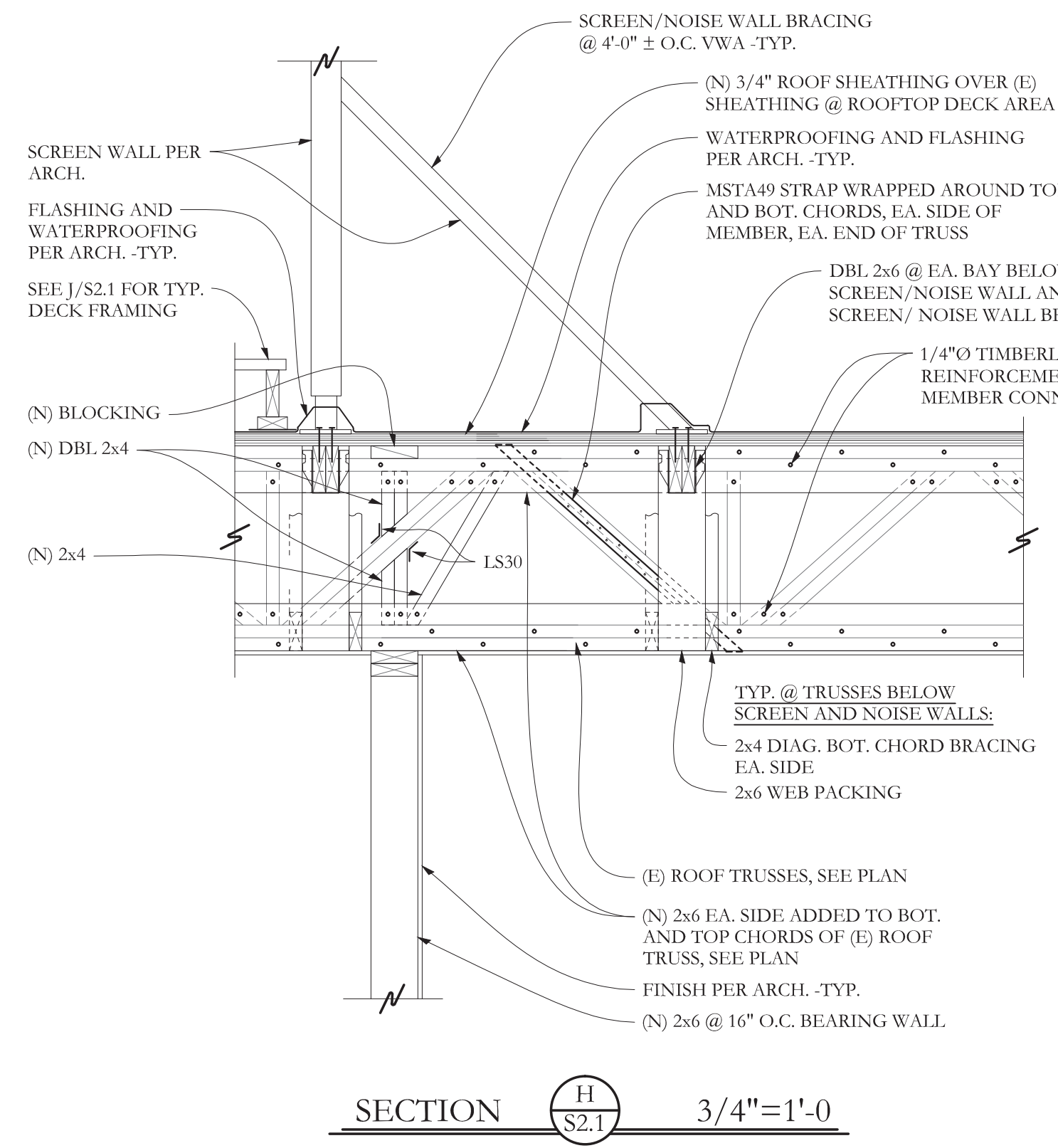
Station 415

415 Cumberland Avenue
Portland, ME. 04101

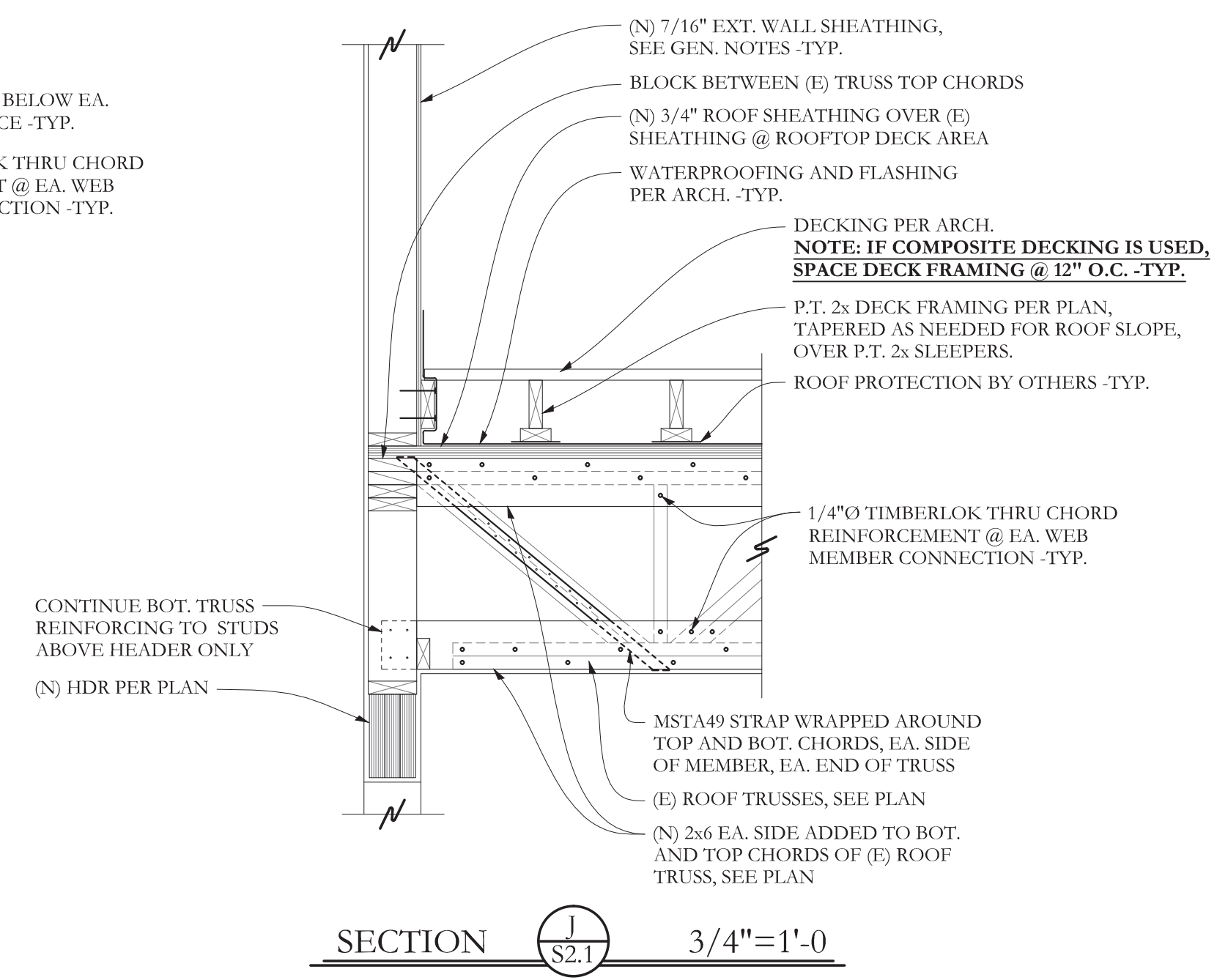
JOB: 16110

ISSUE DATE	
PRELIM	01-17-16
SFMO	-
CD's	-
REV. 1	-
REV. 2	-
PRINT	-

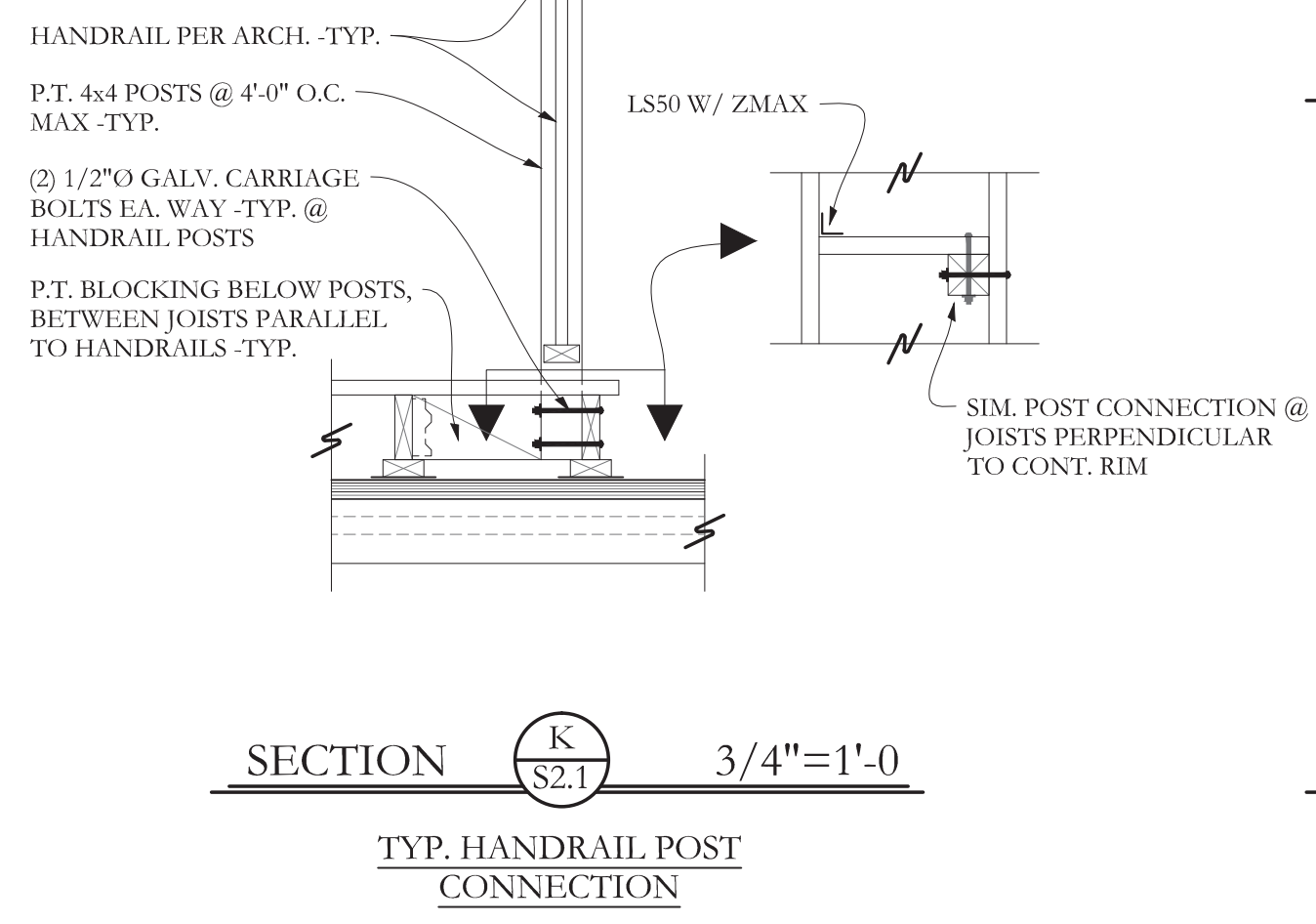
DETAILS
S2.1



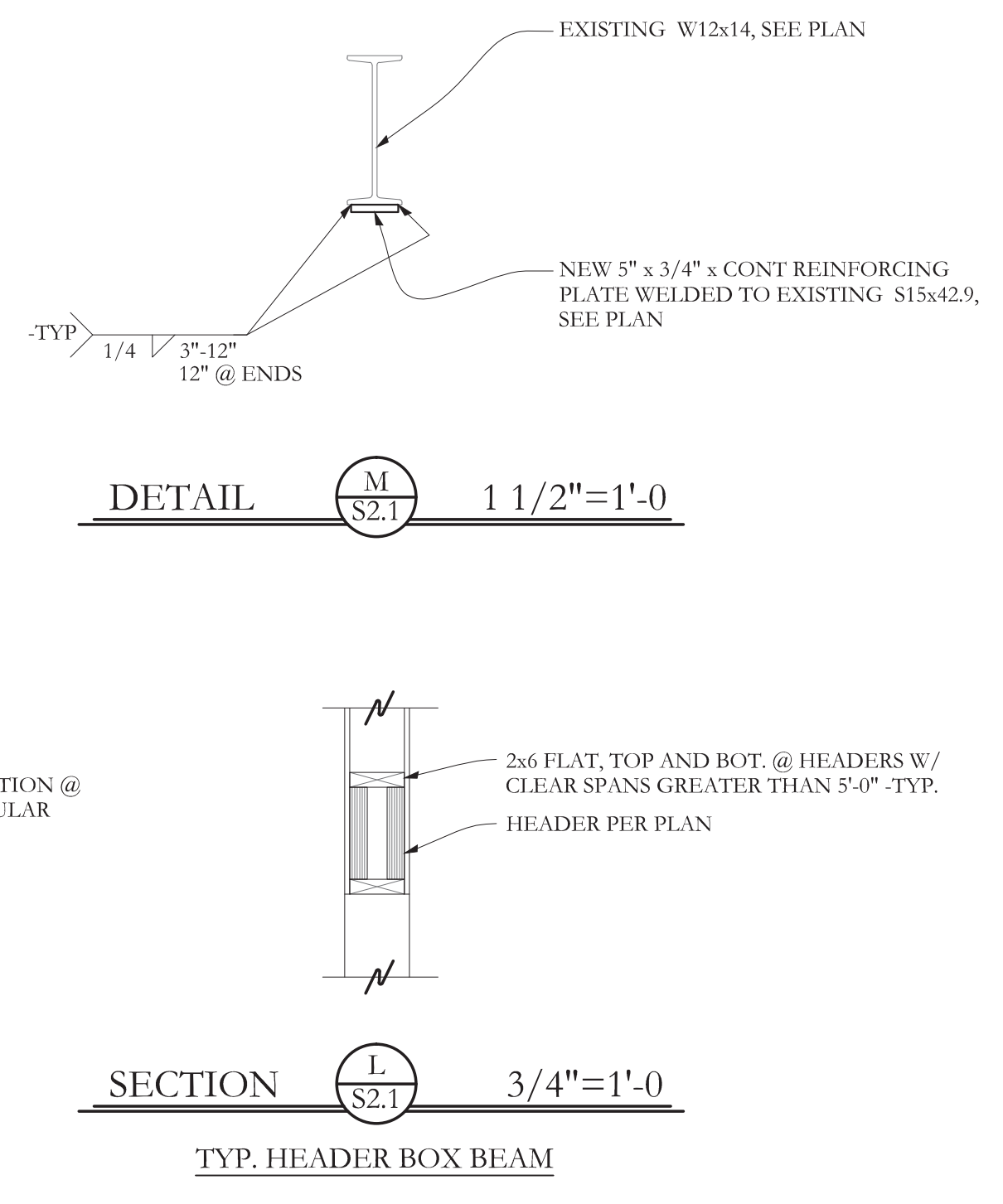
SECTION **H** S2.1 3/4"=1'-0



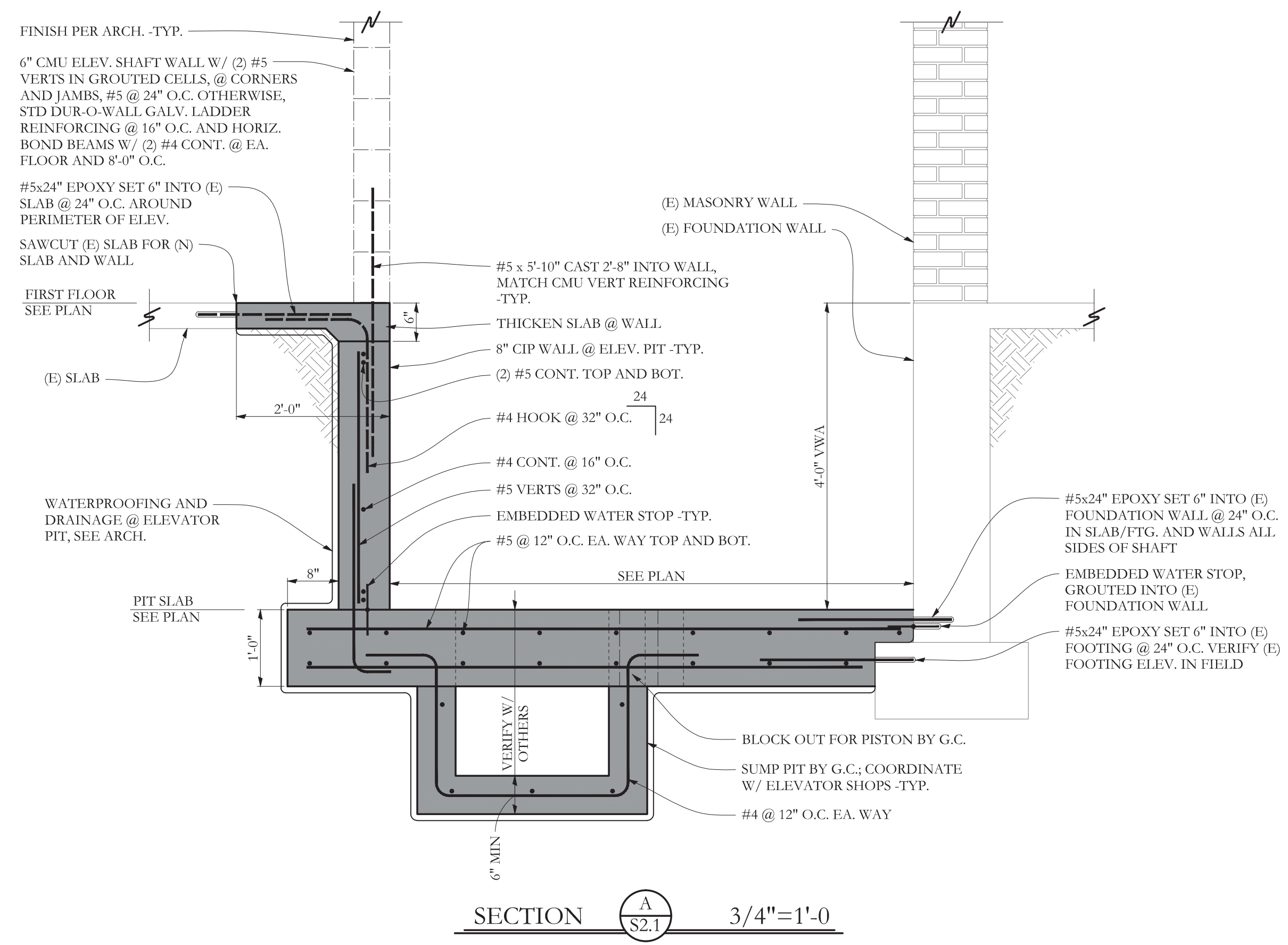
SECTION **J** S2.1 3/4"=1'-0



SECTION **K** S2.1 3/4"=1'-0
TYP. HANDRAIL POST CONNECTION

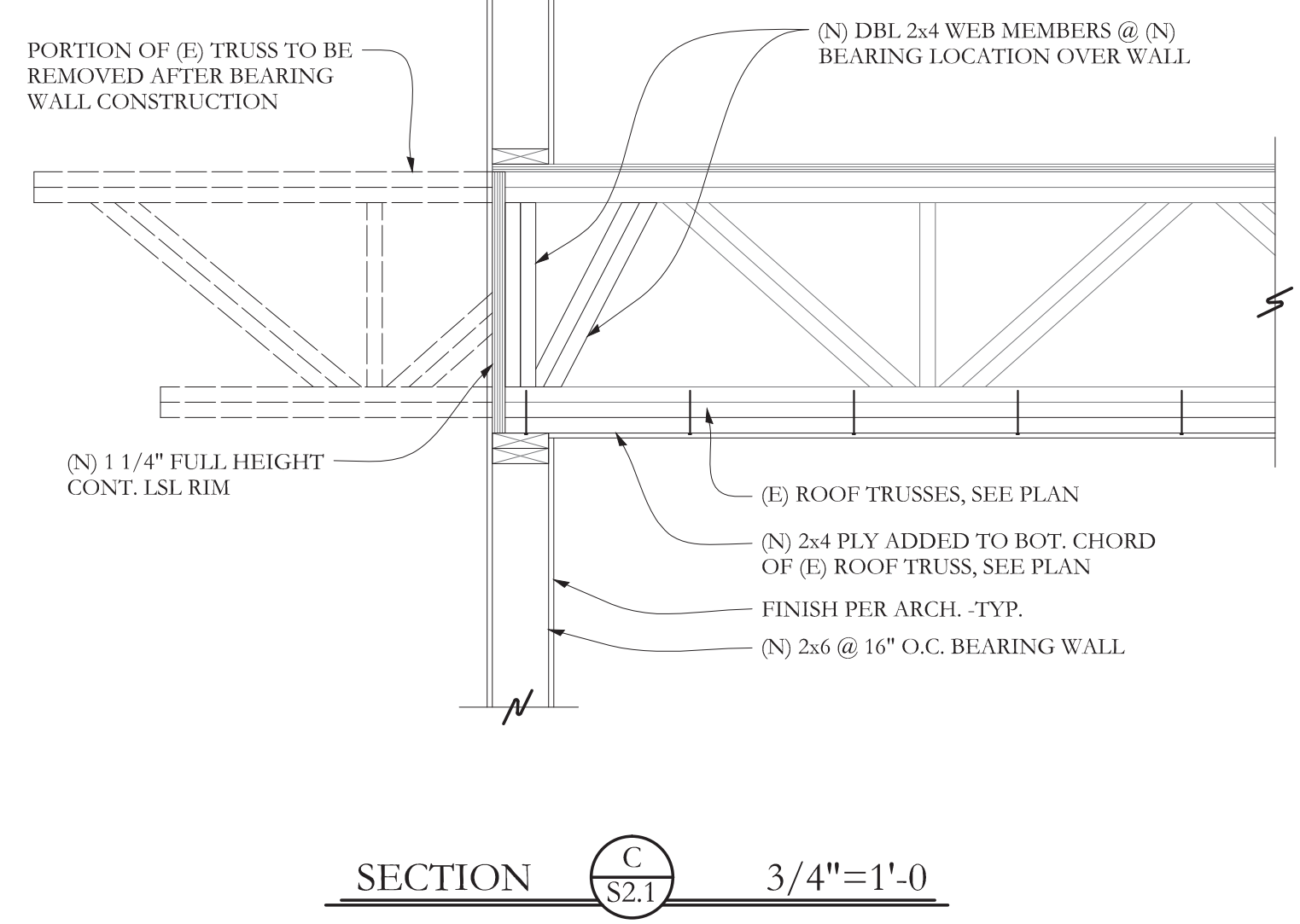


SECTION **L** S2.1 3/4"=1'-0
TYP. HEADER BOX BEAM

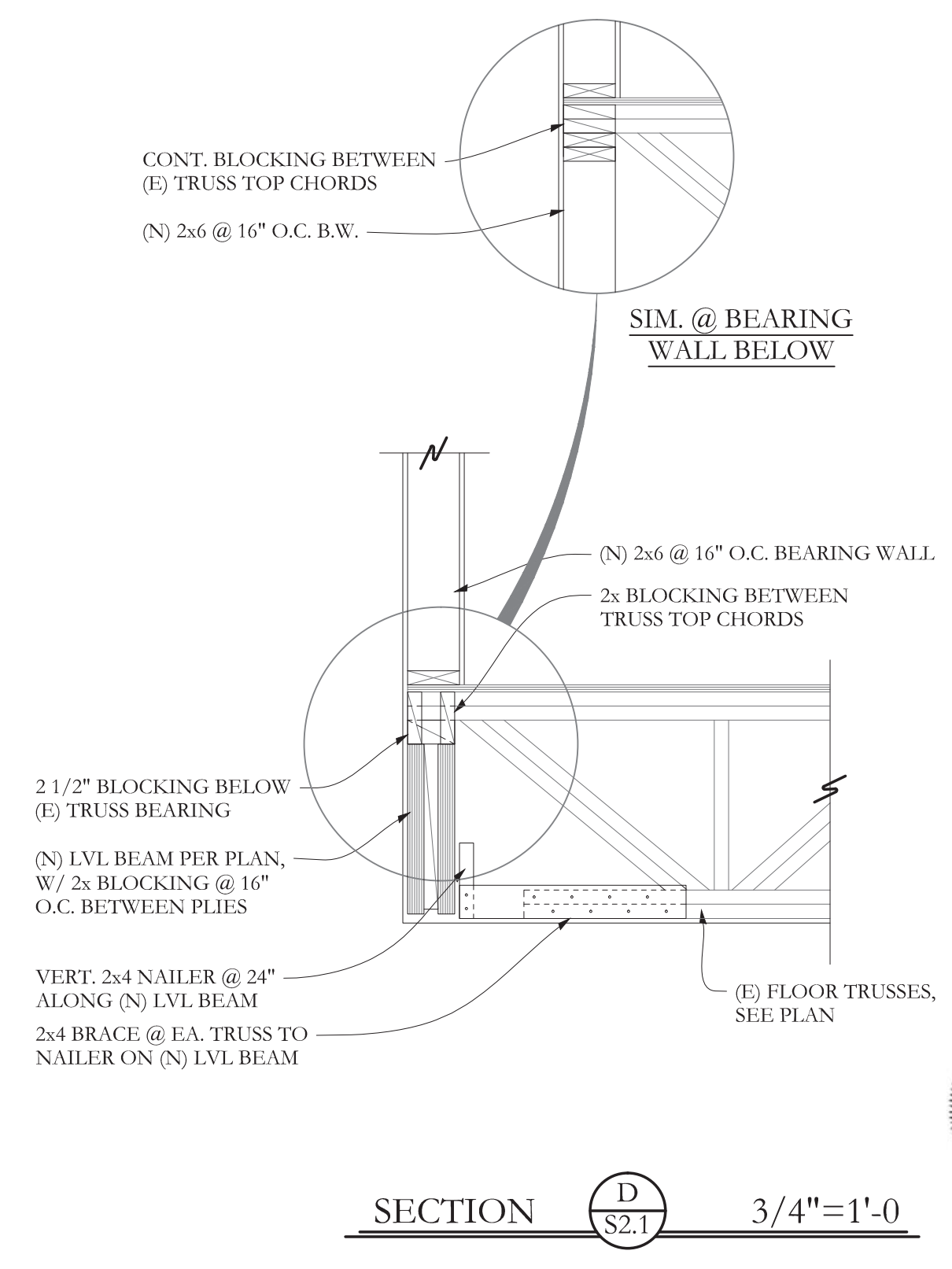


SECTION **A** S2.1 3/4"=1'-0

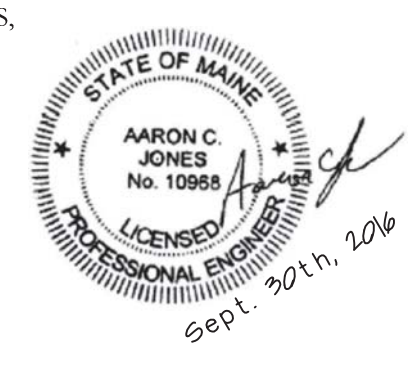
* VERIFY ALL DIMENSIONS W/ ARCH AND ELEVATOR SHOP DRAWINGS PRIOR TO START OF CONSTRUCTION



SECTION **C** S2.1 3/4"=1'-0



SECTION **D** S2.1 3/4"=1'-0



Structural Integrity
Consulting Engineers, Inc. BUILD WITH CONFIDENCE
77 Oak Street
Portland, ME, 04101
p. 207-774-4634
f. 866-793-7835
www.structuralintegrity.com
SI # 16-0036 © 2016 Structural Integrity Consulting Engineers, Inc.

09-30-16