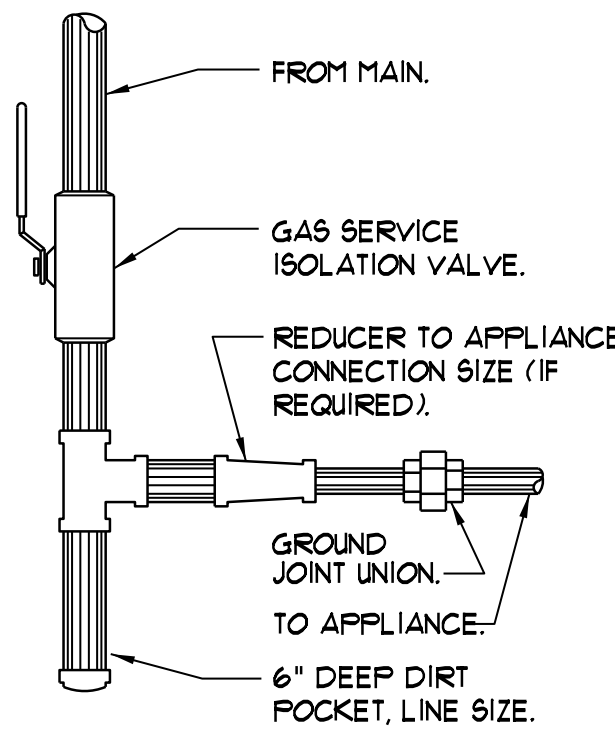


**UPFEED GAS PIPING CONNECTION DETAIL**

NTS

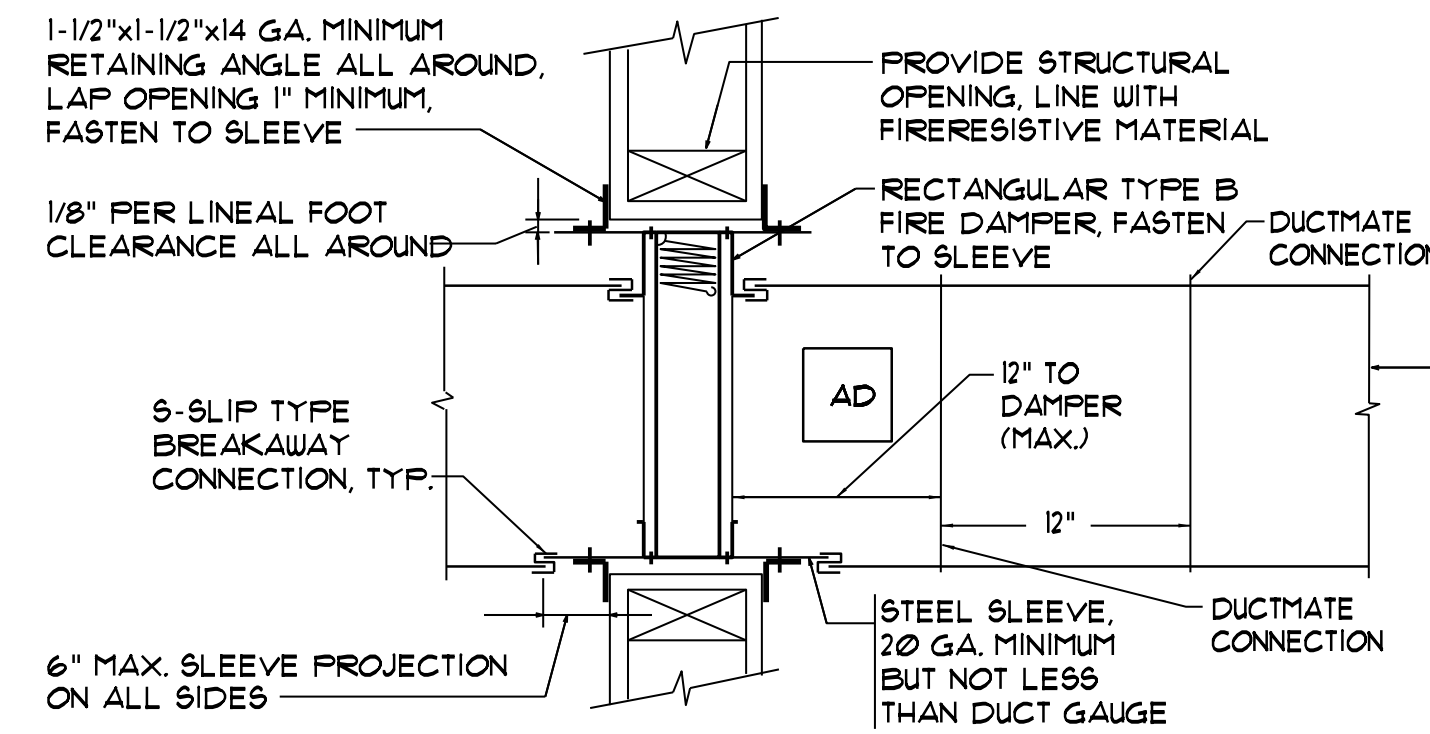
NOTE: APPLIANCES WITH REGULATORS LOCATE PIPING SHOWN HEREIN UPSTREAM OF THE APPLIANCE REGULATOR. PROVIDE A TEST PLUG DOWNSTREAM OF THE APPLIANCE REGULATOR.



**DOWNFEED GAS PIPING CONNECTION DETAIL**

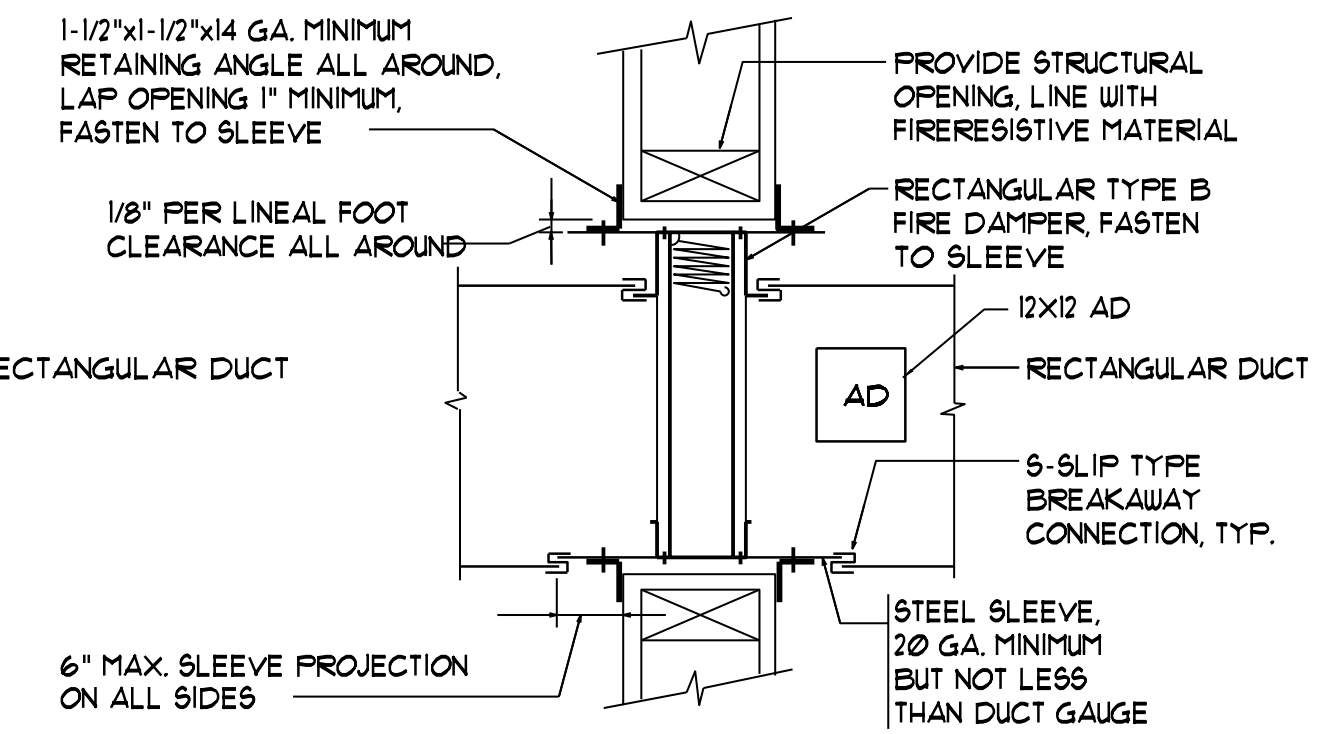
NTS

NOTE: APPLIANCES WITH REGULATORS LOCATE PIPING SHOWN HEREIN UPSTREAM OF THE APPLIANCE REGULATOR. PROVIDE A TEST PLUG DOWNSTREAM OF THE APPLIANCE REGULATOR.



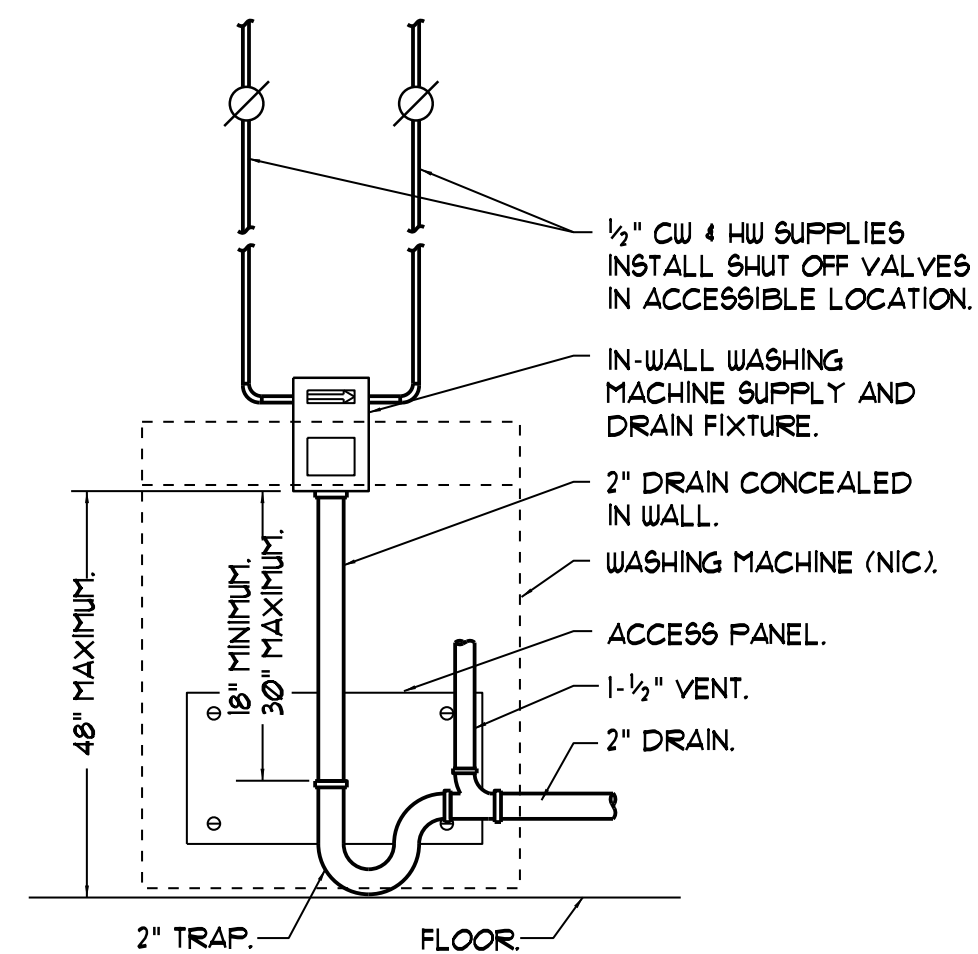
**RECTANGULAR FIRE DAMPER INSTALLATION DETAIL WHERE 12x12 ACCESS DOOR IS NOT POSSIBLE**

NTS



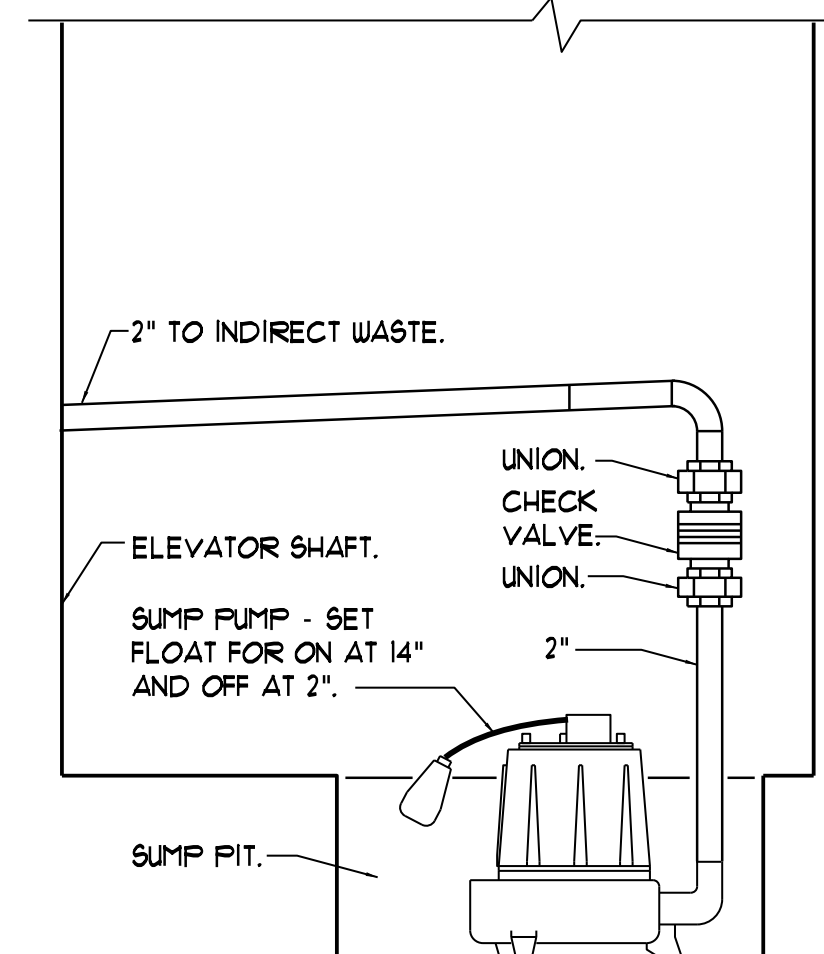
**RECTANGULAR FIRE DAMPER INSTALLATION DETAIL**

NTS



**WASHING MACHINE HOOK-UP DETAIL**

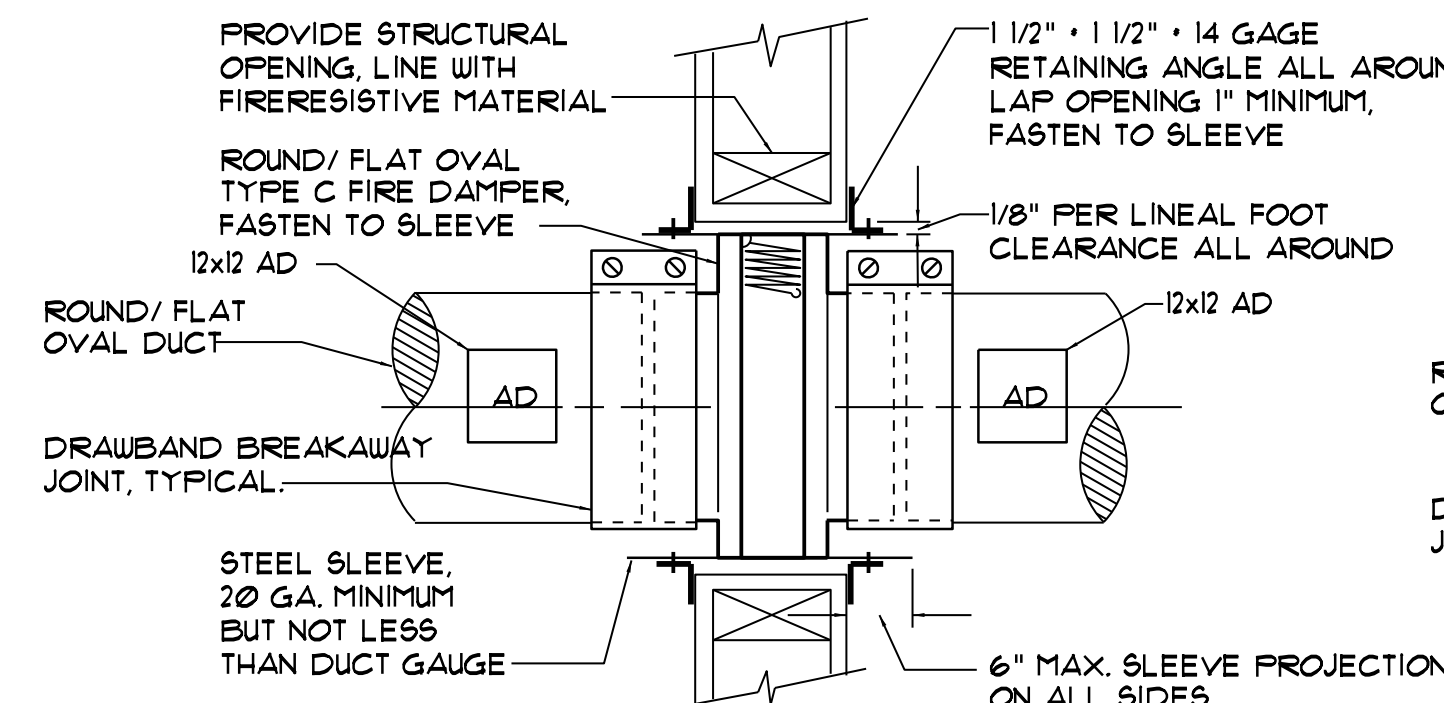
NTS



**ELEVATOR SUMP PUMP PIPING DETAIL**

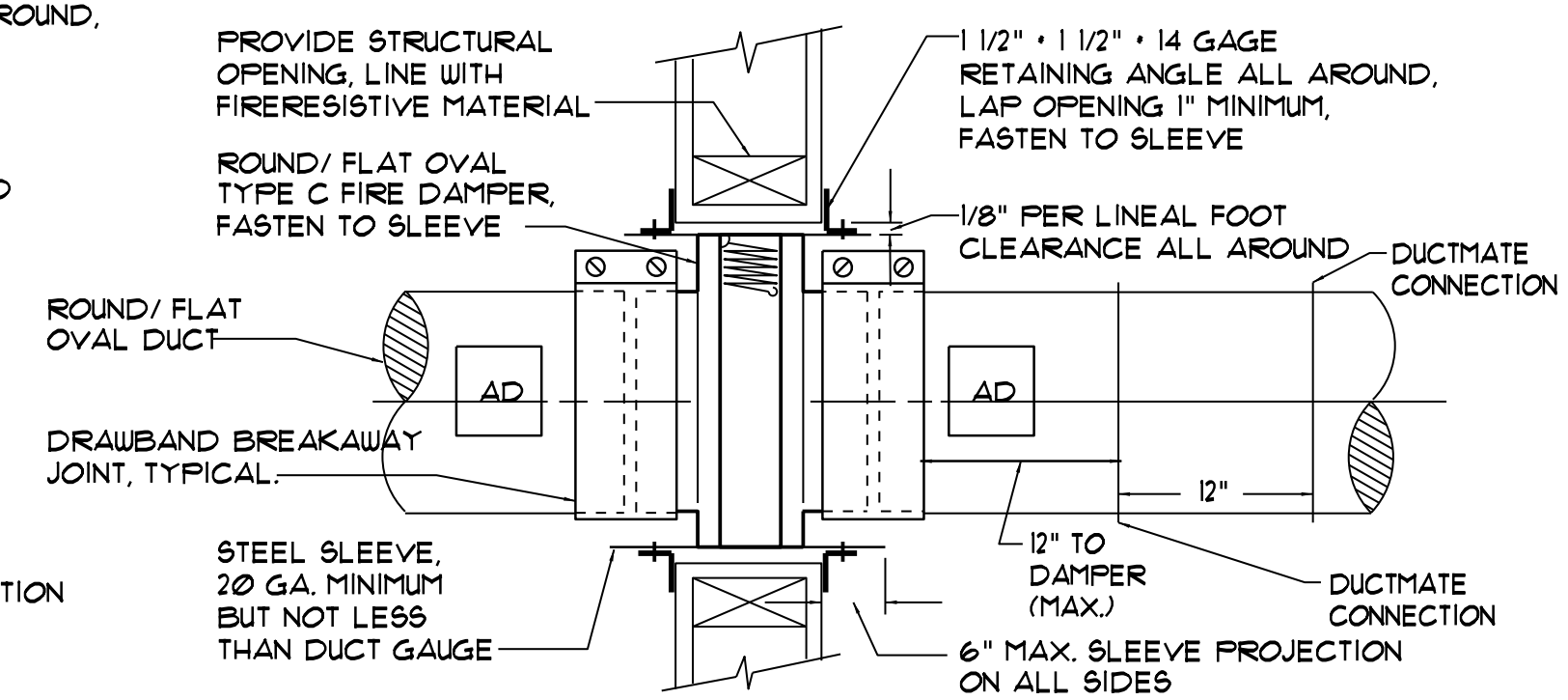
NTS

STANCOR OIL-MINDER SE50 OR EQUAL



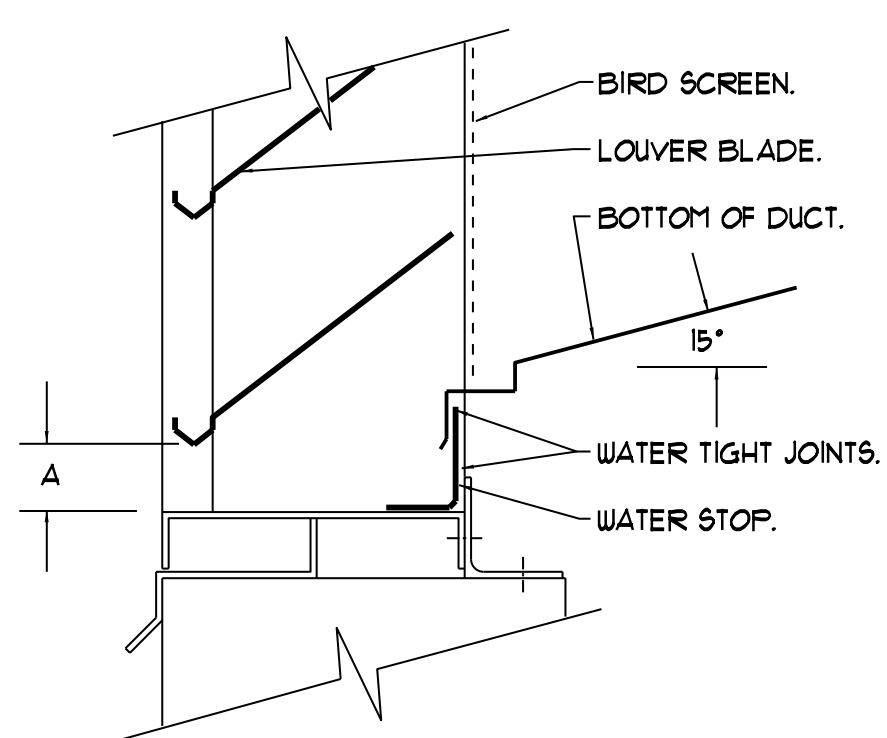
**ROUND/FLAT OVAL FIRE DAMPER INSTALLATION DETAIL**

NTS



**ROUND/FLAT OVAL FIRE DAMPER INSTALLATION DETAIL WHERE A 12x12 ACCESS DOOR IS NOT POSSIBLE**

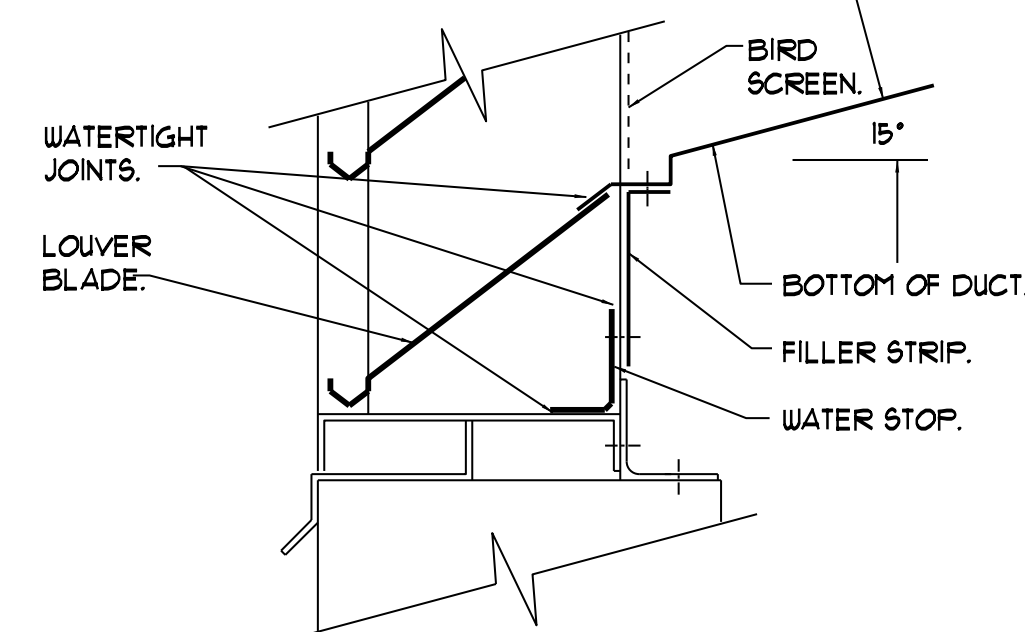
NTS



**LOUVER CONNECTION DETAIL**

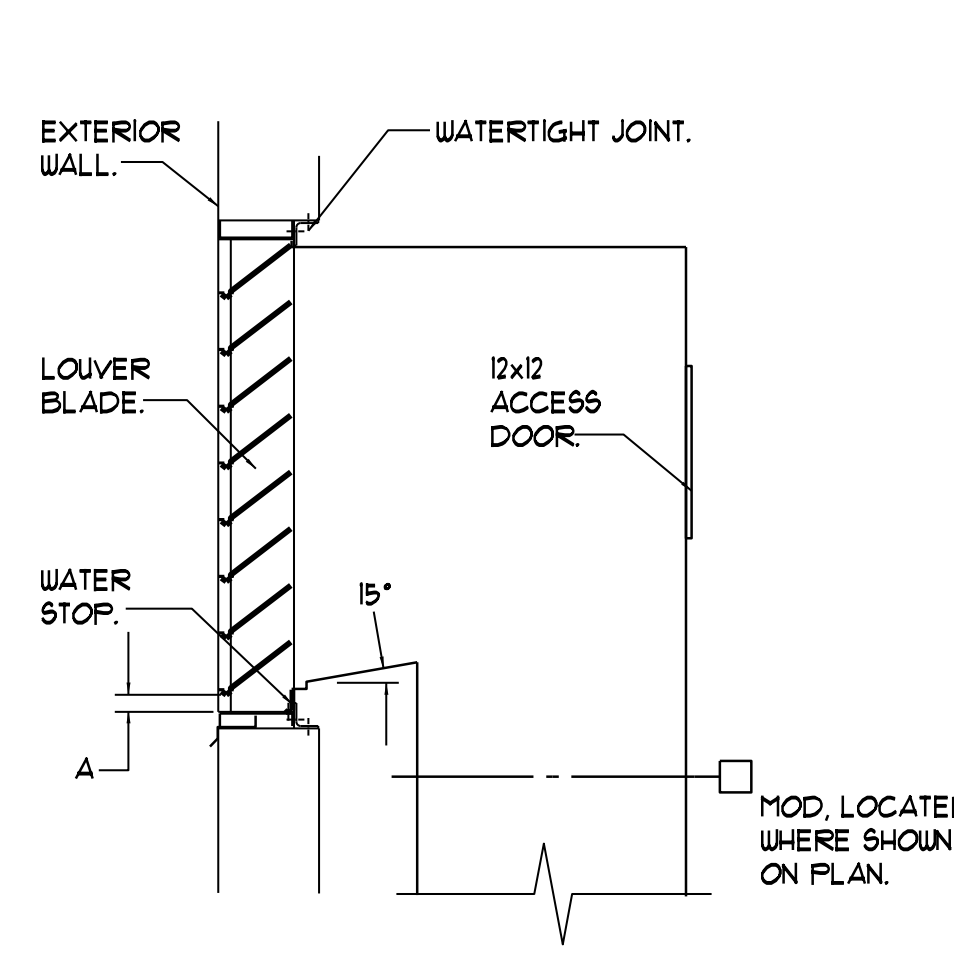
NTS

NOTE: TYPICAL FOR LOUVERS AND BLOCK VENTS. IF DIMENSION "A" IS LESS THAN 1 INCH SEE MODIFIED LOUVER DETAIL AT RIGHT (LOUVERS ONLY).



**MODIFIED LOUVER DETAIL**

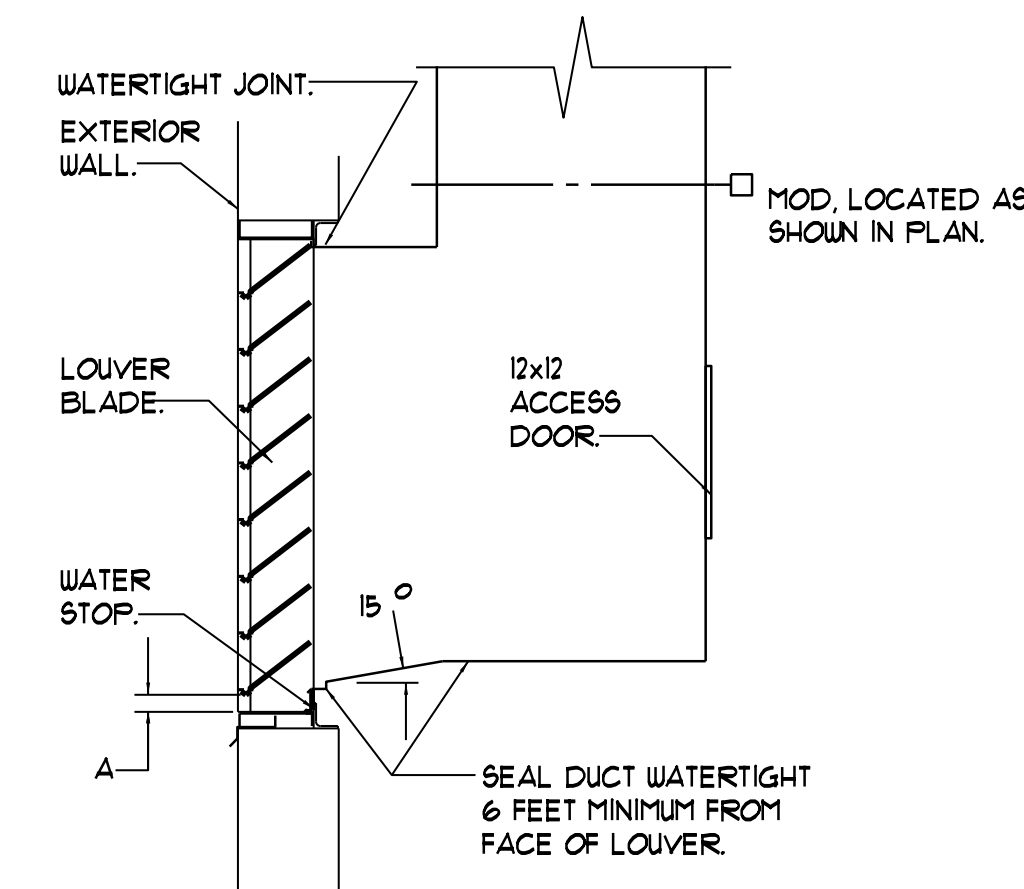
NTS



**LOUVER DETAIL WITH DUCT FROM BELOW**

NTS

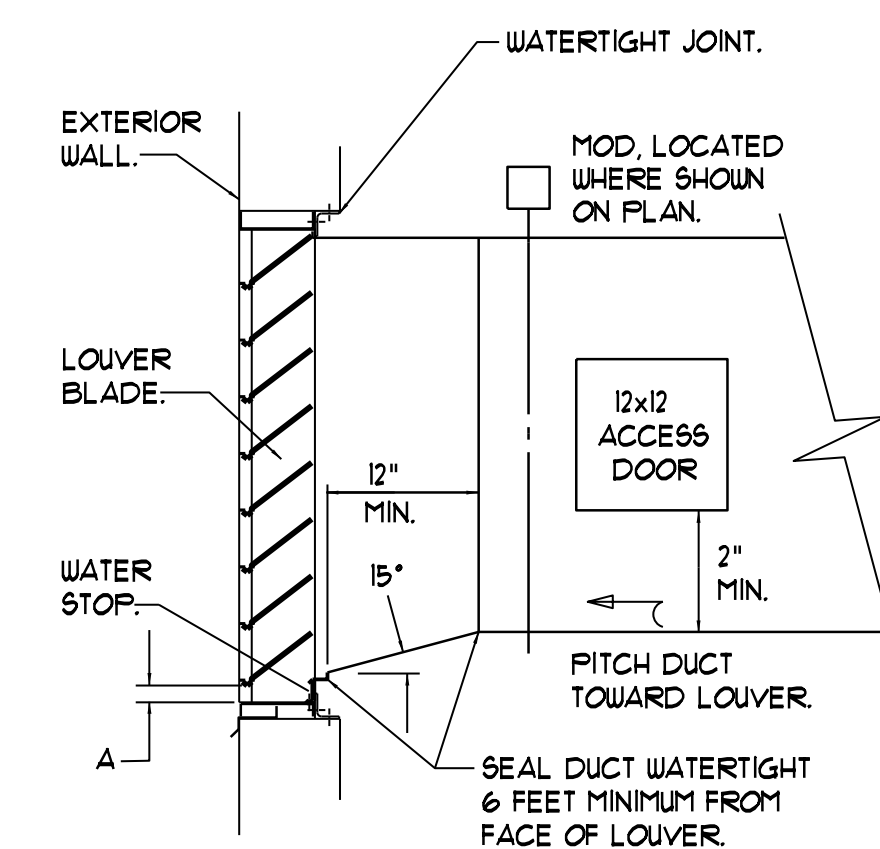
NOTE: IF DIMENSION "A" IS LESS THAN 1 INCH SEE MODIFIED LOUVER DETAIL THIS SHEET.



**LOUVER DETAIL WITH DUCT FROM ABOVE**

NTS

NOTE: IF DIMENSION "A" IS LESS THAN 1 INCH SEE MODIFIED LOUVER DETAIL THIS SHEET.



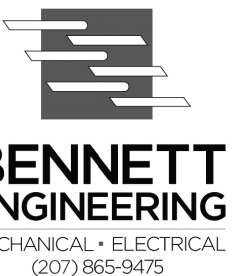
**LOUVER DETAIL WITH HORIZONTAL DUCT**

NTS

NOTE: IF DIMENSION "A" IS LESS THAN 1 INCH SEE MODIFIED LOUVER DETAIL THIS SHEET.



ALPHAarchitects  
17 CHESTNUT STREET  
PORTLAND, ME 04101  
PHONE: 207.761.9500  
FAX: 207.761.9595  
design@alphaarchitects.com



BENNETT ENGINEERING  
MECHANICAL • ELECTRICAL  
(207) 865-9475

**Station 415**  
415 Cumberland Avenue  
Portland, ME. 04101

JOB: 16110

ISSUE DATE	
PRELIM	01-17-16
SFMO	-
CD's	-
REV. 1	-
REV. 2	-
PRINT	09-30-16

MECHANICAL DETAILS

**M4.3**

FOR PERMIT 09-30-16