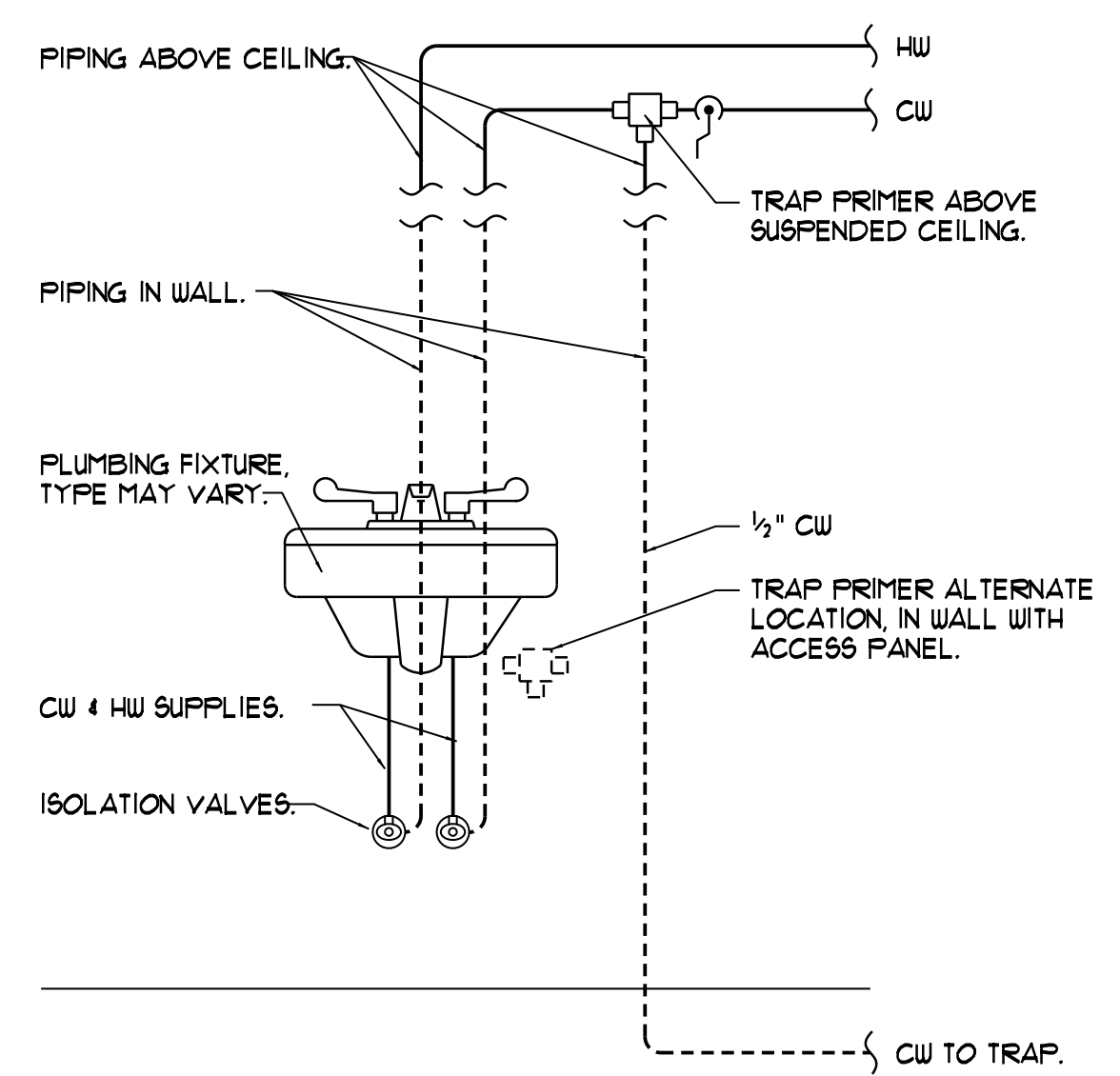
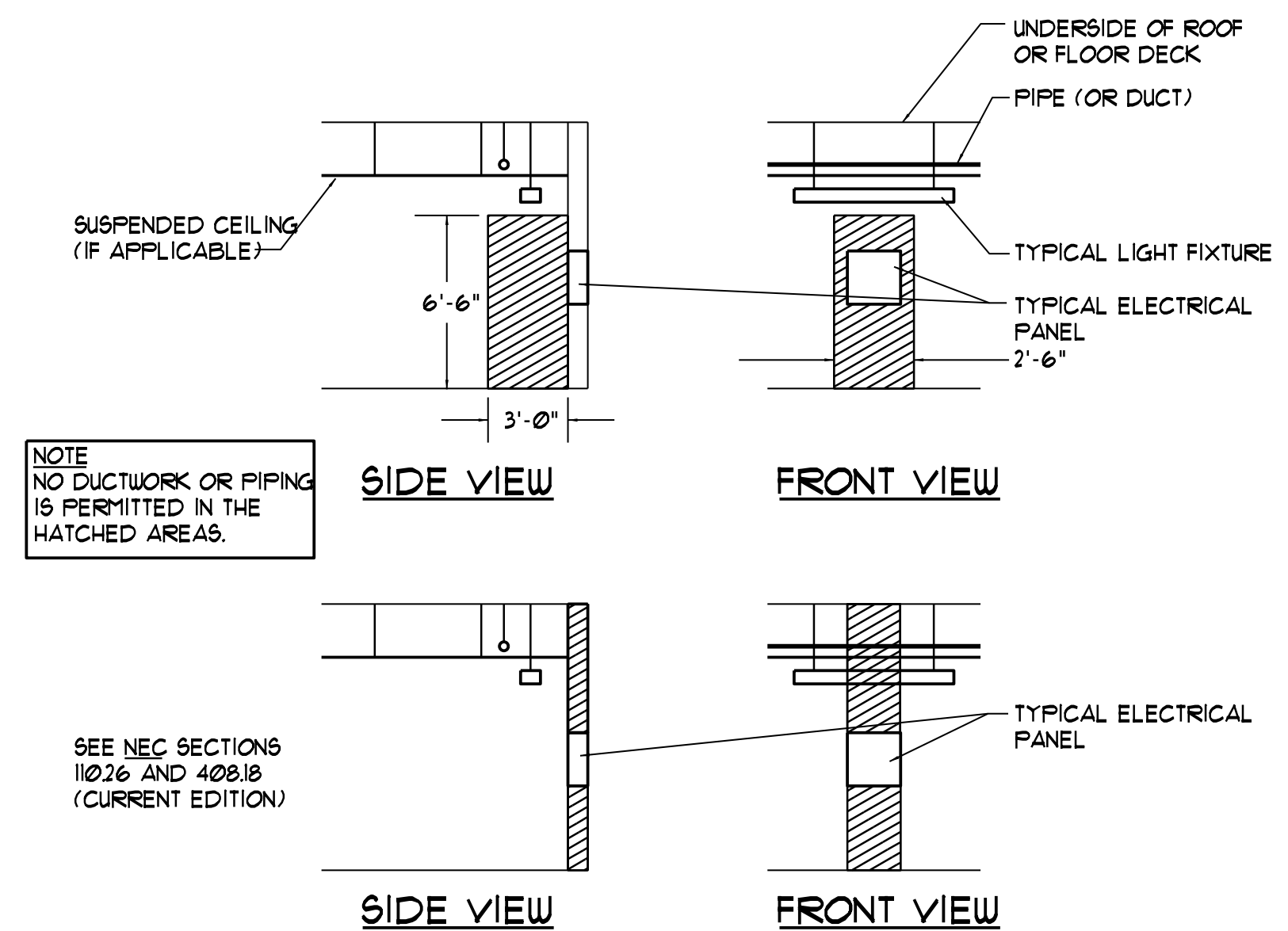


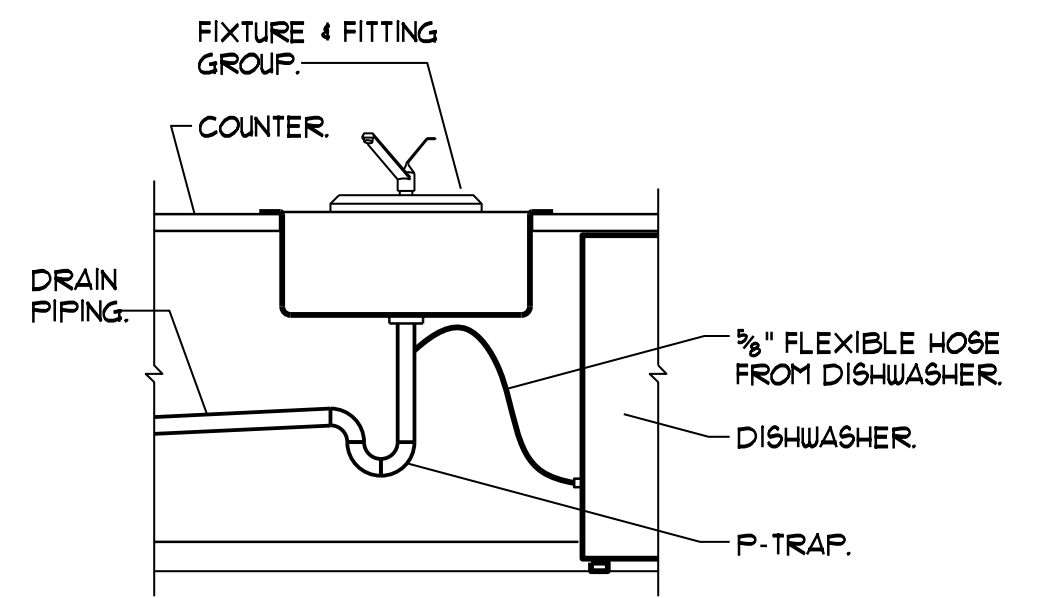
LOW PRESSURE DUCT CONSTRUCTION DETAILS - TYPICAL
NTS



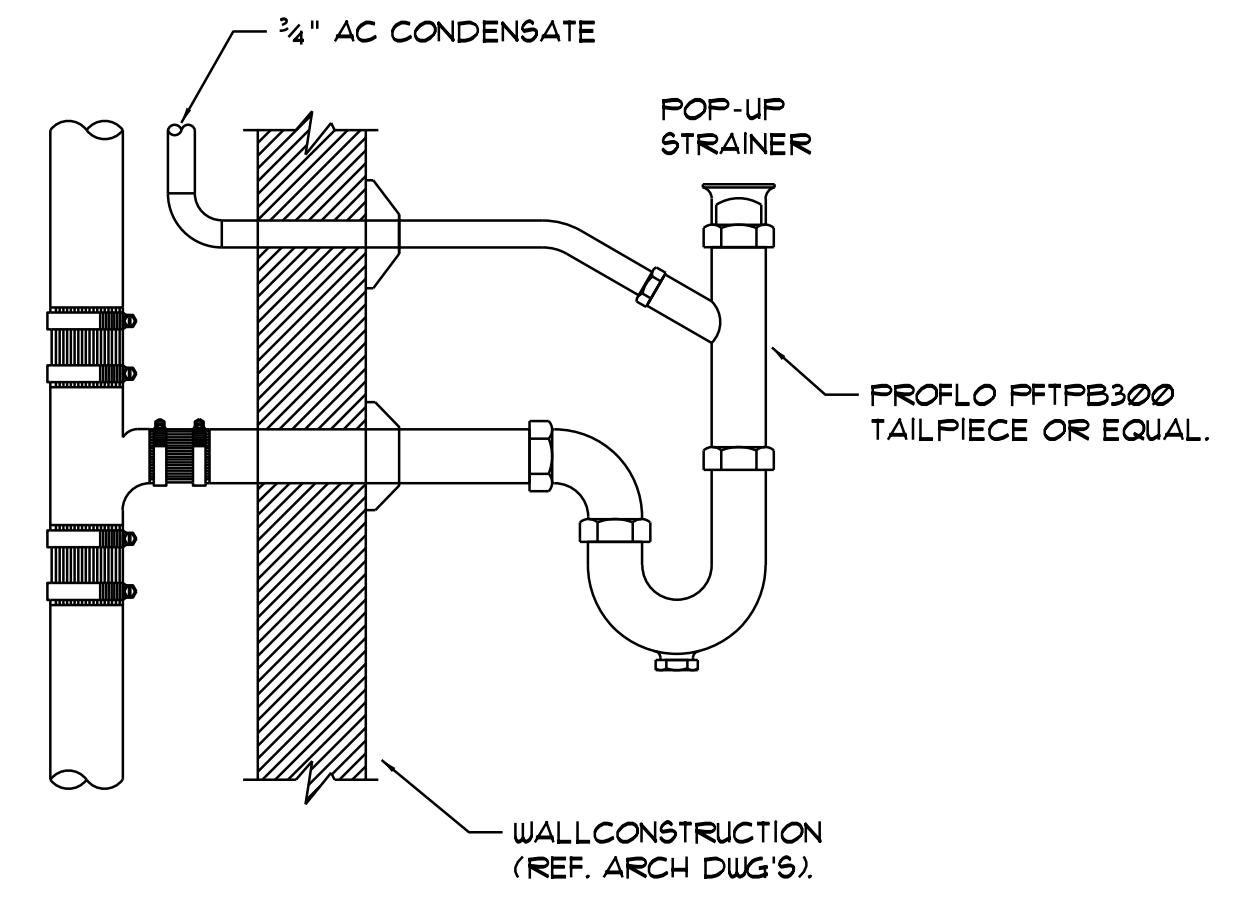
TRAP PRIMER CONNECTION DETAIL
NTS
NOTE - ALL FLOOR DRAINS SHALL HAVE TRAP PRIMERS, CONNECT TO NEAREST FIXTURE.



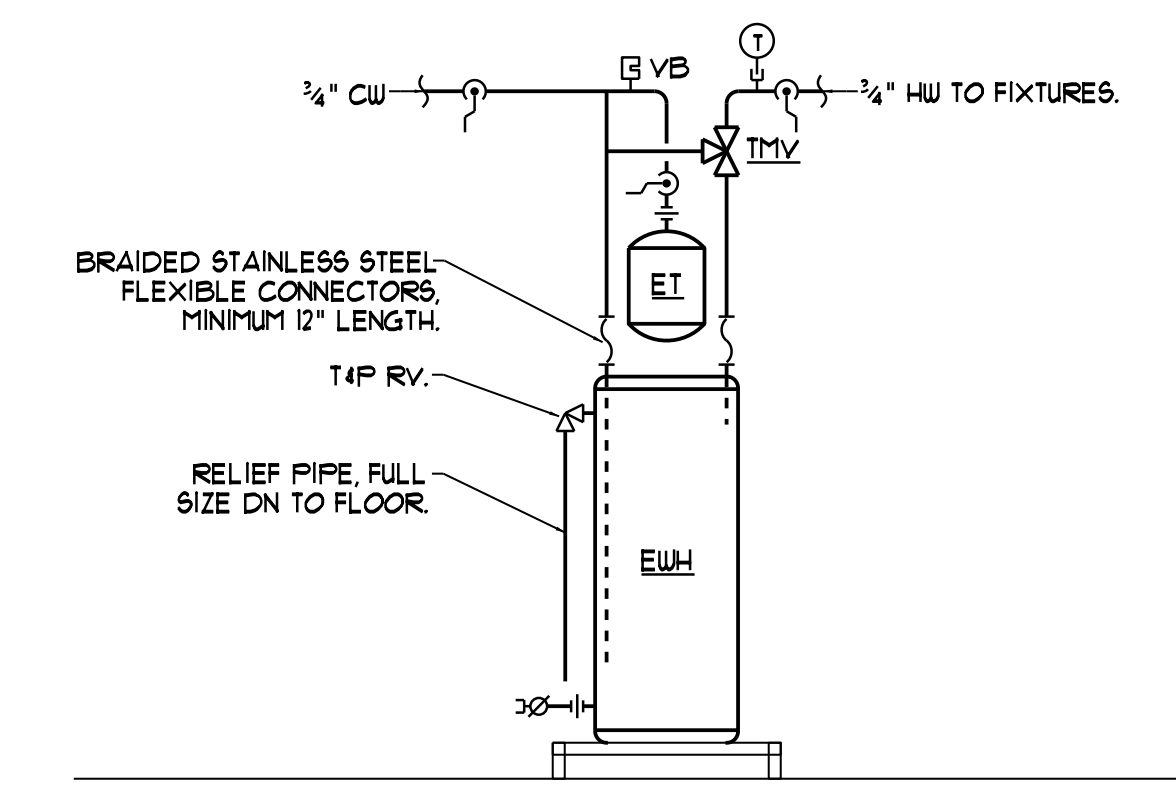
CLEARANCES AT ELECTRICAL PANELS
NTS



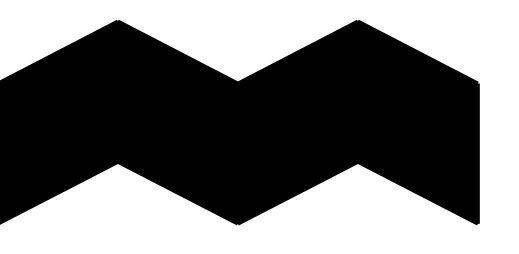
DISHWASHER DRAIN DETAIL
NTS
TYPICAL AT ALL APARTMENT KITCHENS



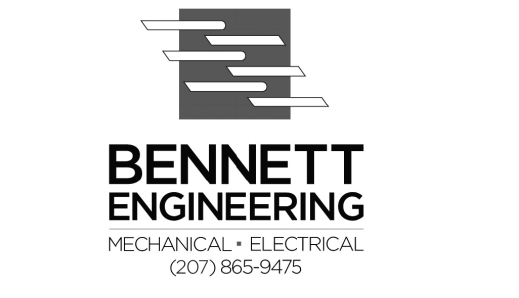
TYPICAL LAVATORY WITH 3/4" AC CONDENSATE CONNECTION DETAIL
NTS



ELECTRIC WATER HEATER PIPING SYSTEM SCHEMATIC, TYPICAL
NTS



ALPHAarchitects
17 CHESTNUT STREET
PORTLAND, ME 04101
PHONE: 207.761.9500
FAX: 207.761.9595
design@alphaarchitects.com



Station 415
415 Cumberland Avenue
Portland, ME. 04101

JOB: 16110

ISSUE DATE	
PRELIM	01-17-16
SFMO	-
CD's	-
REV. 1	-
REV. 2	-
PRINT	09-30-16

MECHANICAL DETAILS

M4.2

FOR PERMIT 09-30-16