

ALPHAarchitects
 17 CHESTNUT STREET
 PORTLAND, ME 04101
 PHONE: 207.761.9500
 FAX: 207.761.9595
 design@alphaarchitects.com

© COPYRIGHT

Reuse or reproduction of the contents of this document is not permitted without written permission of ALPHAARCHITECTS

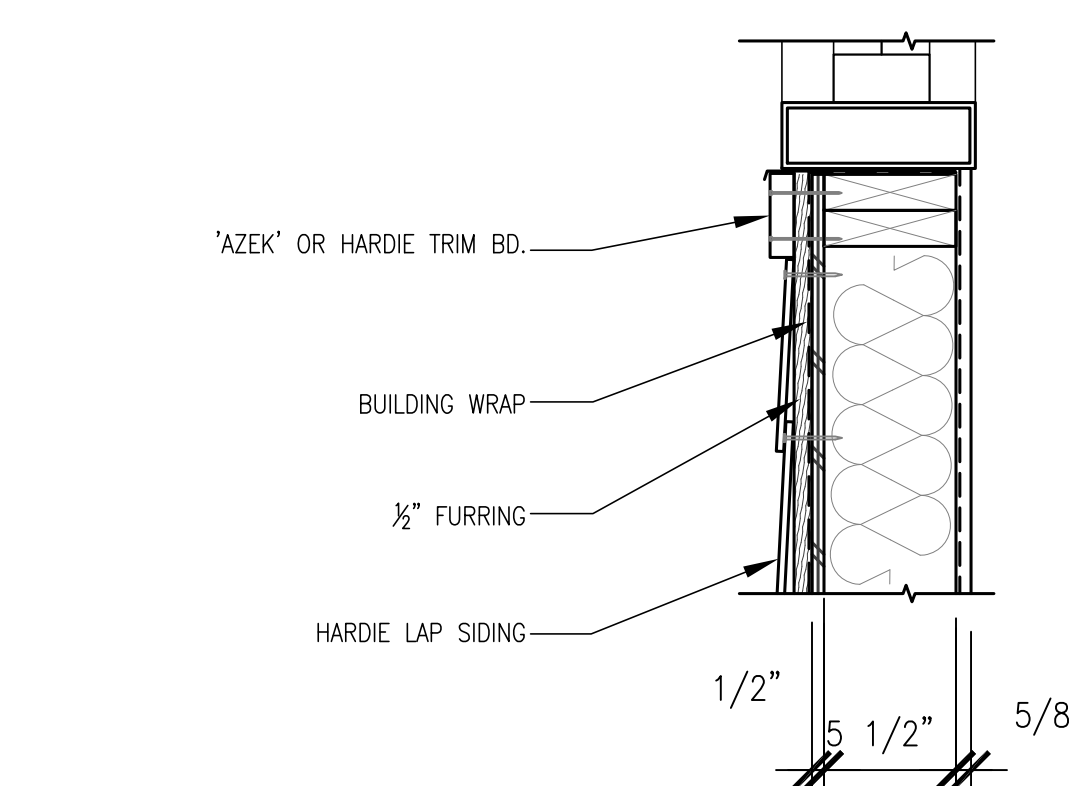
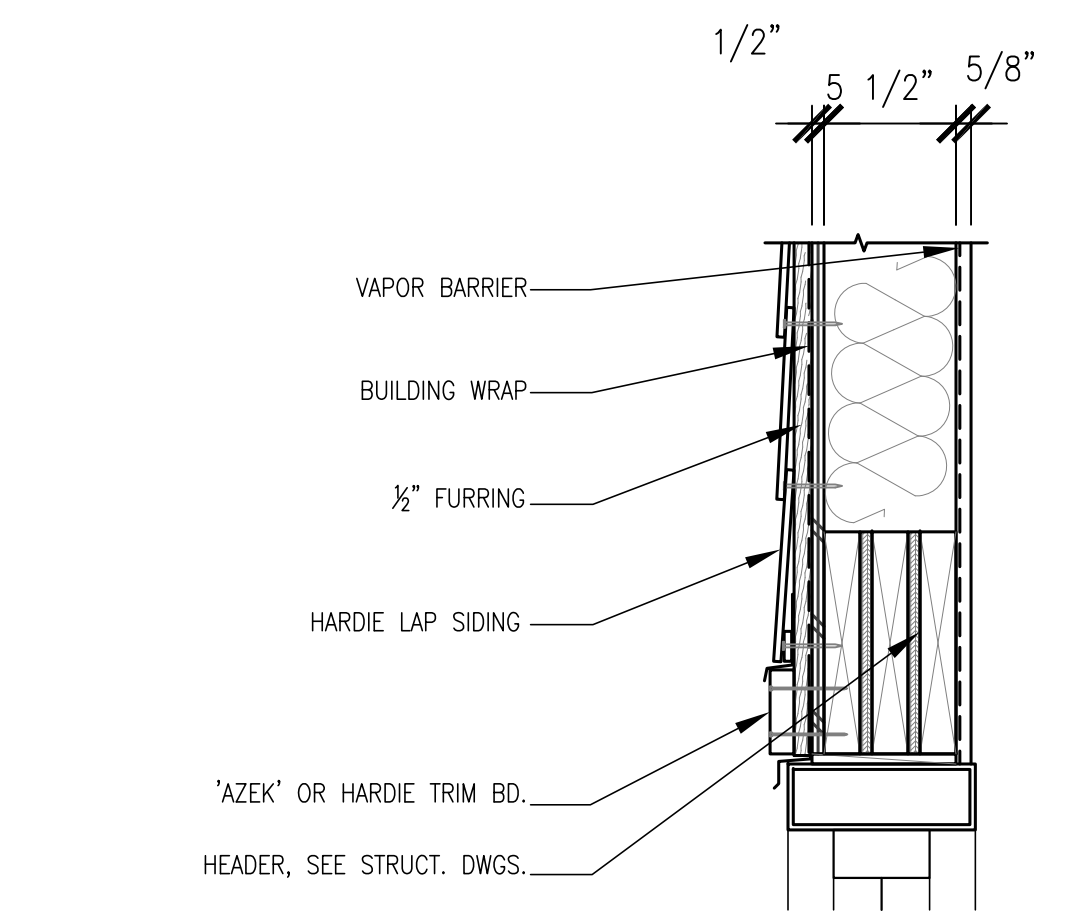
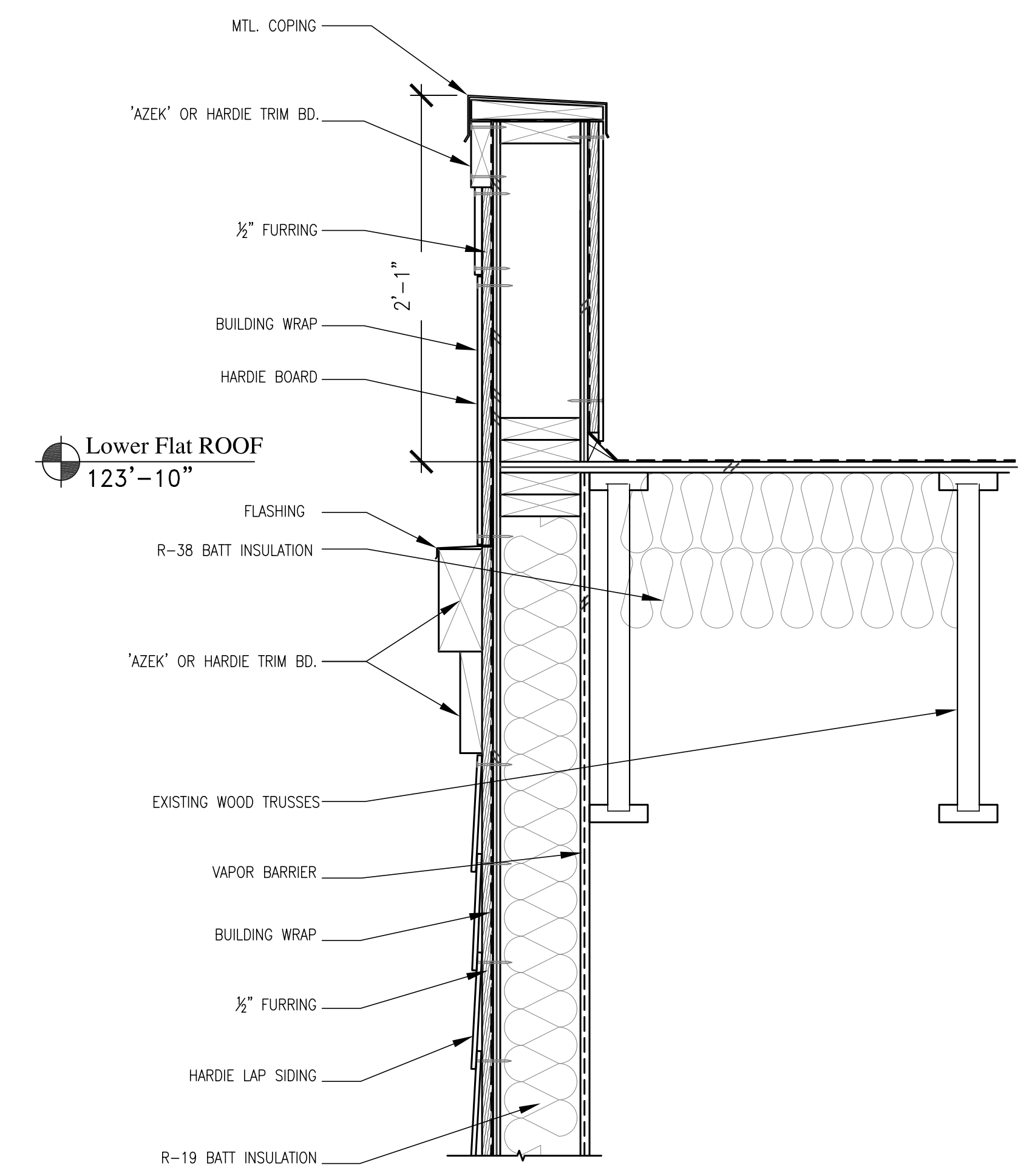


Station 415
 415 Cumberland Avenue
 Portland, ME. 04101

JOB: 16110

ISSUE DATE	
PERMIT	09-30-16
SFMO	-
CD's	-
REV. 1	-
REV. 2	-
PRINT	09-30-16

DETAILS
A3.2



1 WALL SECTION DETAIL
 A3.2 SCALE: 1-1/2" = 1'-0"

09-30-16