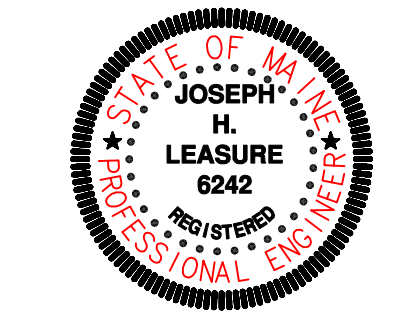


CWS Architects

Architecture
Space Planning
Value Design

434 Cumberland Avenue
Portland, ME 04101
Phone: (207)774-4444
Fax: (207)774-4016

www.CWSarch.com



Owner:

**GREATER
PORTLAND YMCA**

c/o Cumberland County YMCA
70 Forest Ave Portland, ME 04101
(207) 874-1111

Client:

**YMCA
HIGH STREET
ENTRY**

High Street - Portland, Maine

Project No: 04454.hse

Drawing Title:

STAIR/SECTIONS

Scale: AS NOTED

Date: 5-11-2005

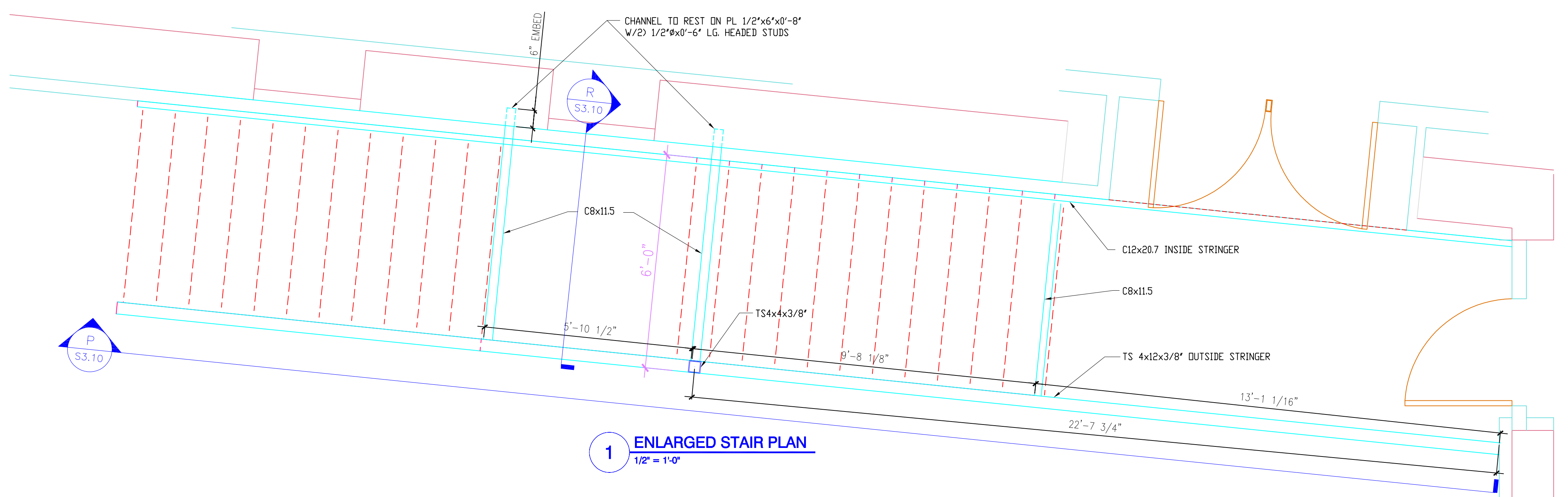
Revisions:

- △
- △
- △
- △
- △

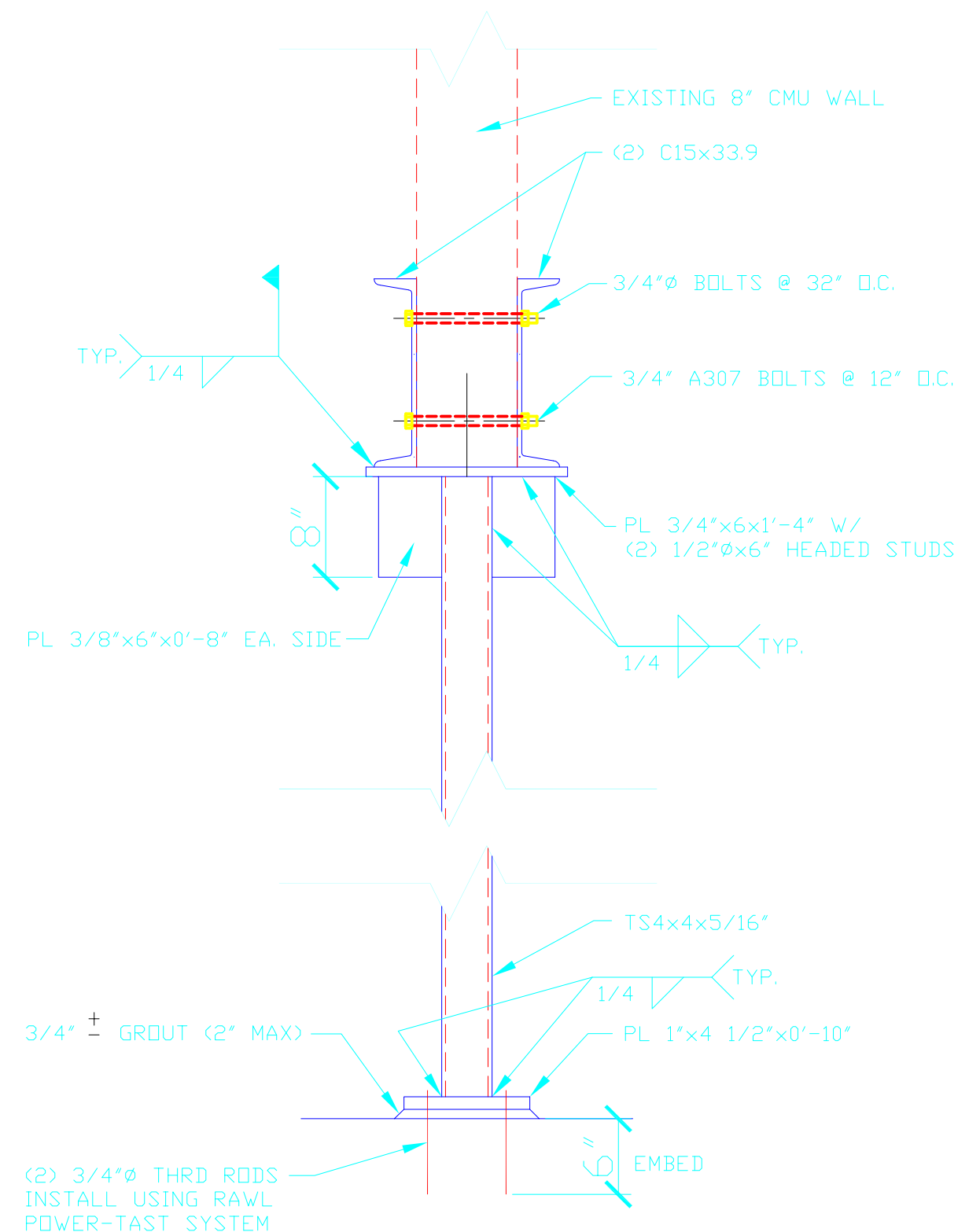
Drawing Number:

S3.10

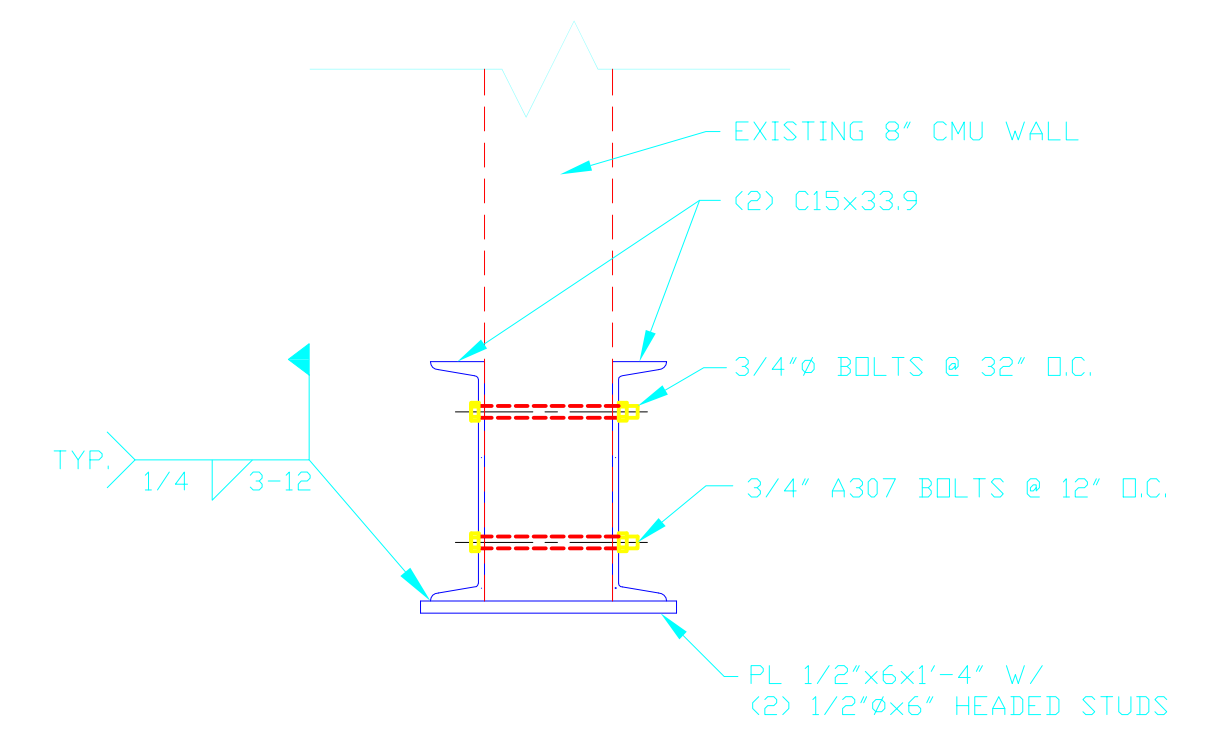
FOR PERMITTING ONLY



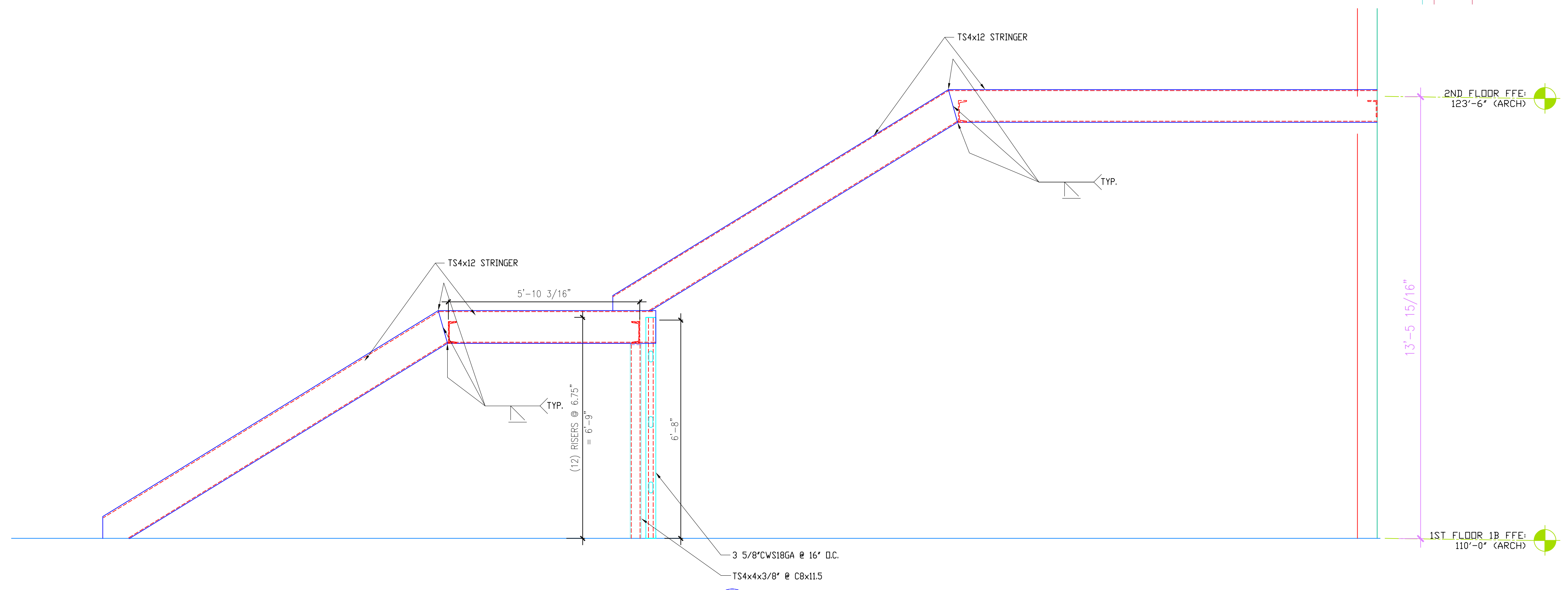
1 ENLARGED STAIR PLAN
1/2" = 1'-0"



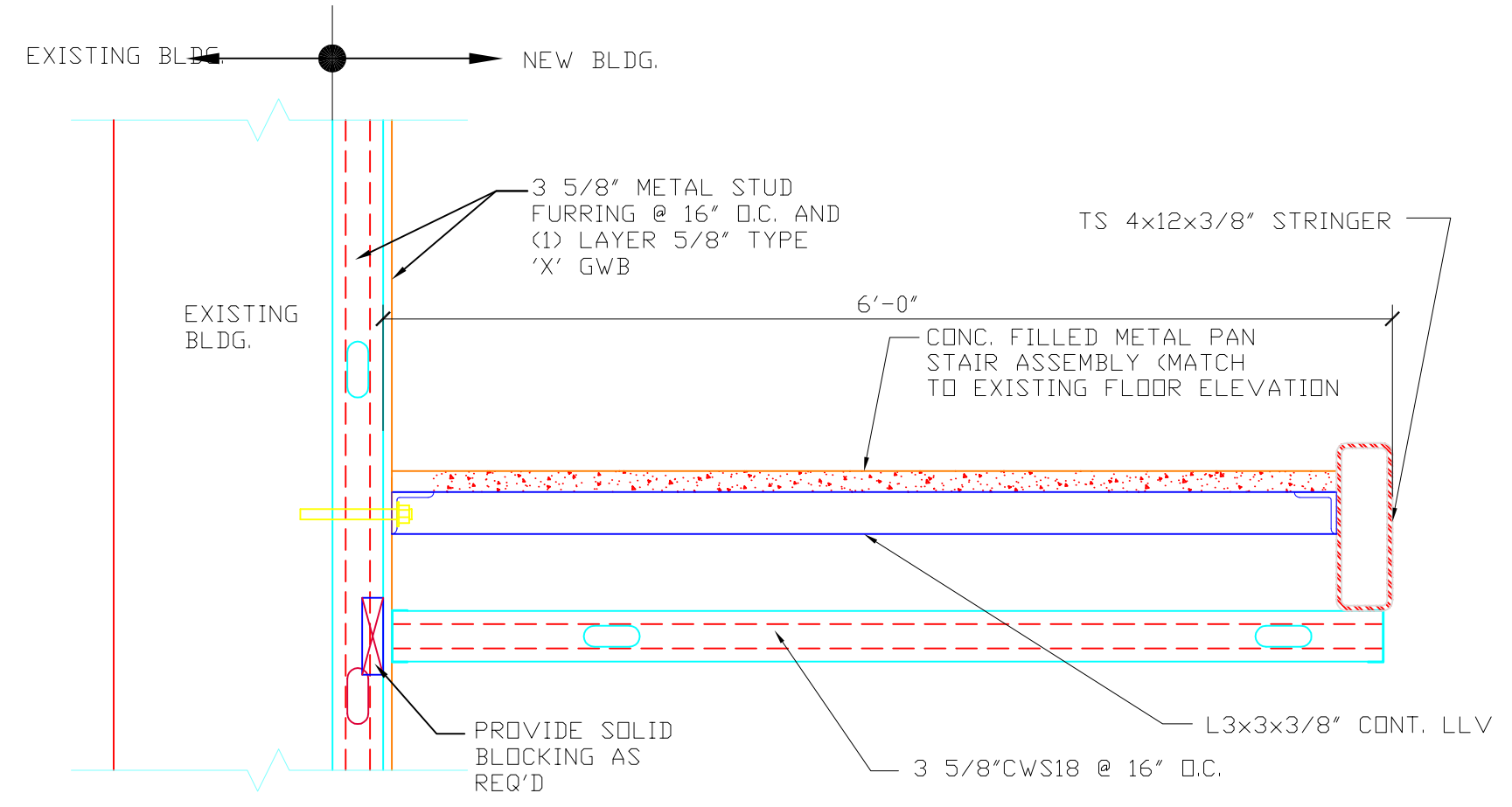
M SECTION @ NEW LINTEL
1" = 1'-0"



N SECTION @ MID SPAN OF LINTEL
1" = 1'-0"



P ELEVATION @ STAIRS
1/2" = 1'-0"



R SECTION THRU STAIR LANDING
1" = 1'-0"

S3.10