

Owner:

**GREATER PORTLAND YMCA**

c/o Cumberland County YMCA  
70 Forest Ave Portland, ME 04101  
(207) 874-1111

Client:

**YMCA HIGH STREET ENTRY**

High Street - Portland, Maine

Project No: 04454.hse

Drawing Title:

**DETAILS**

Scale: 1/2" = 1'-0"

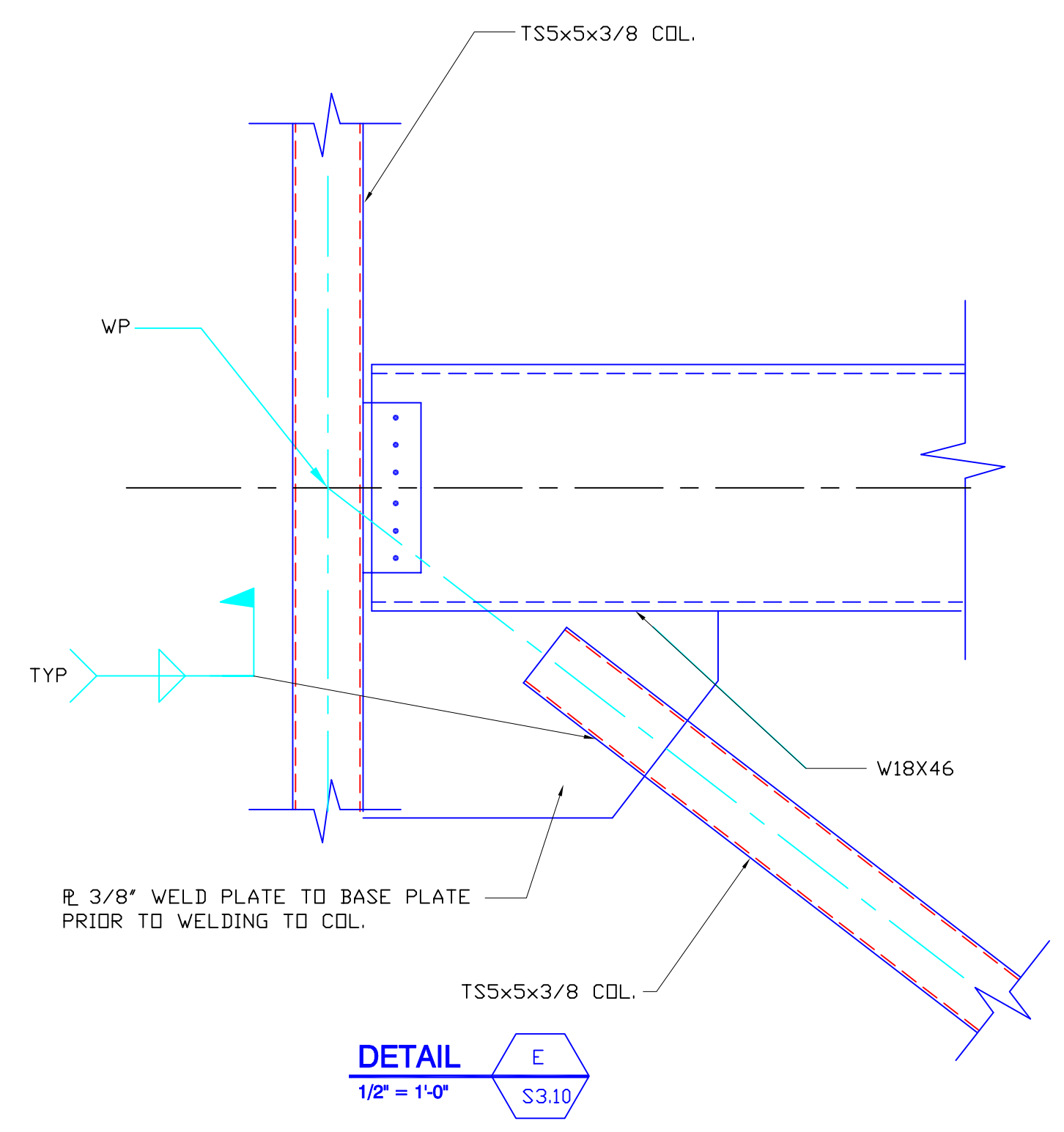
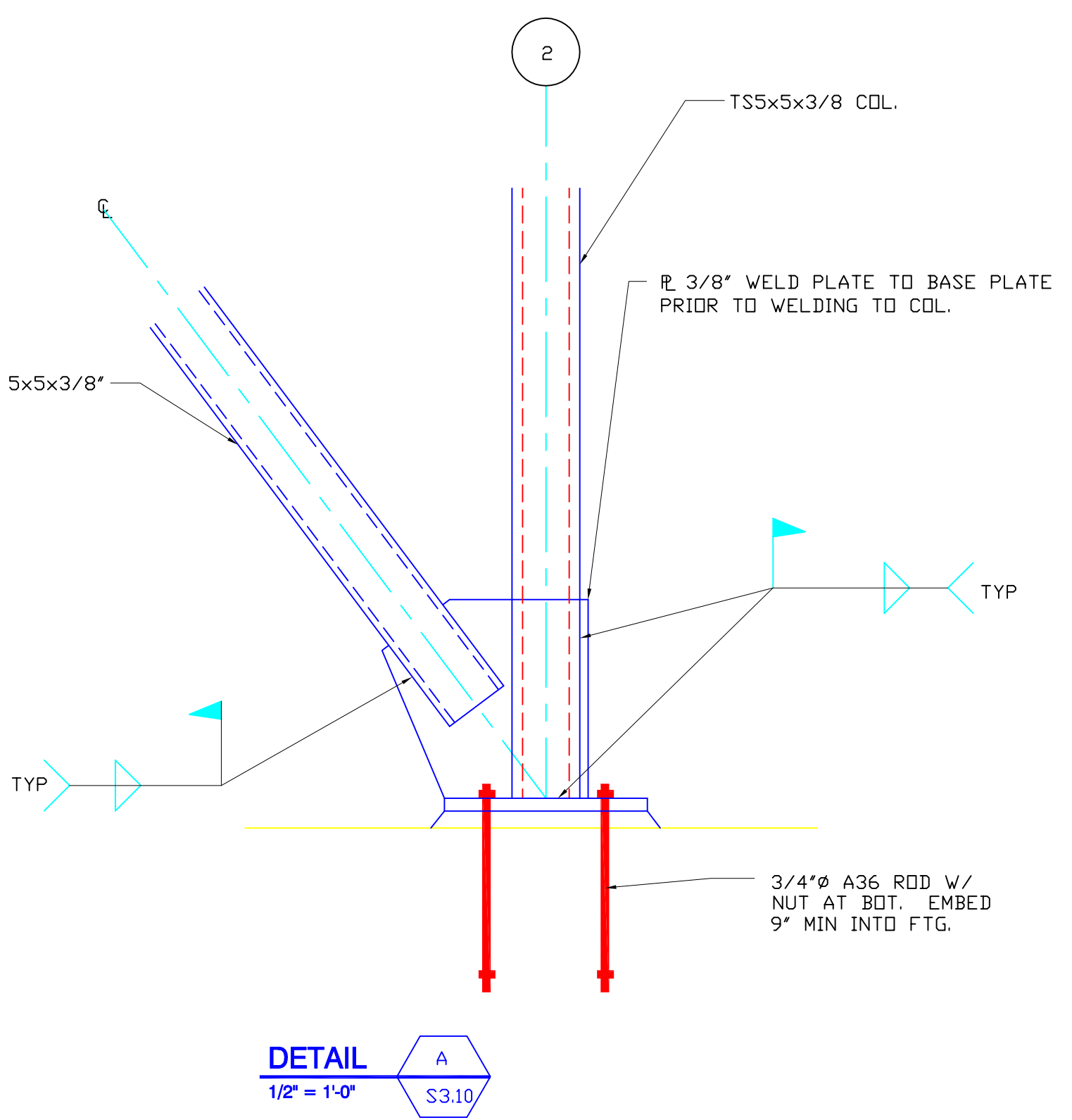
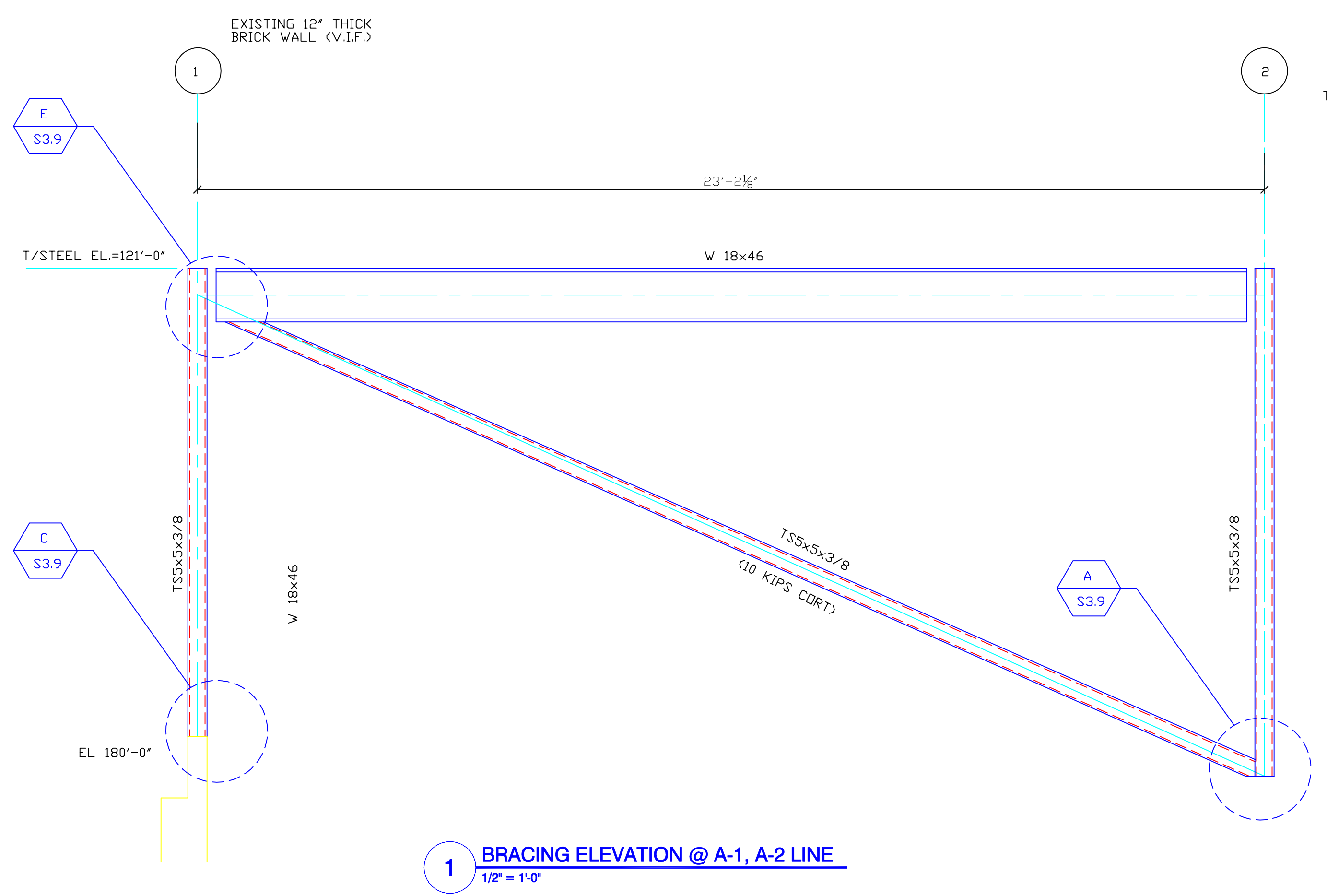
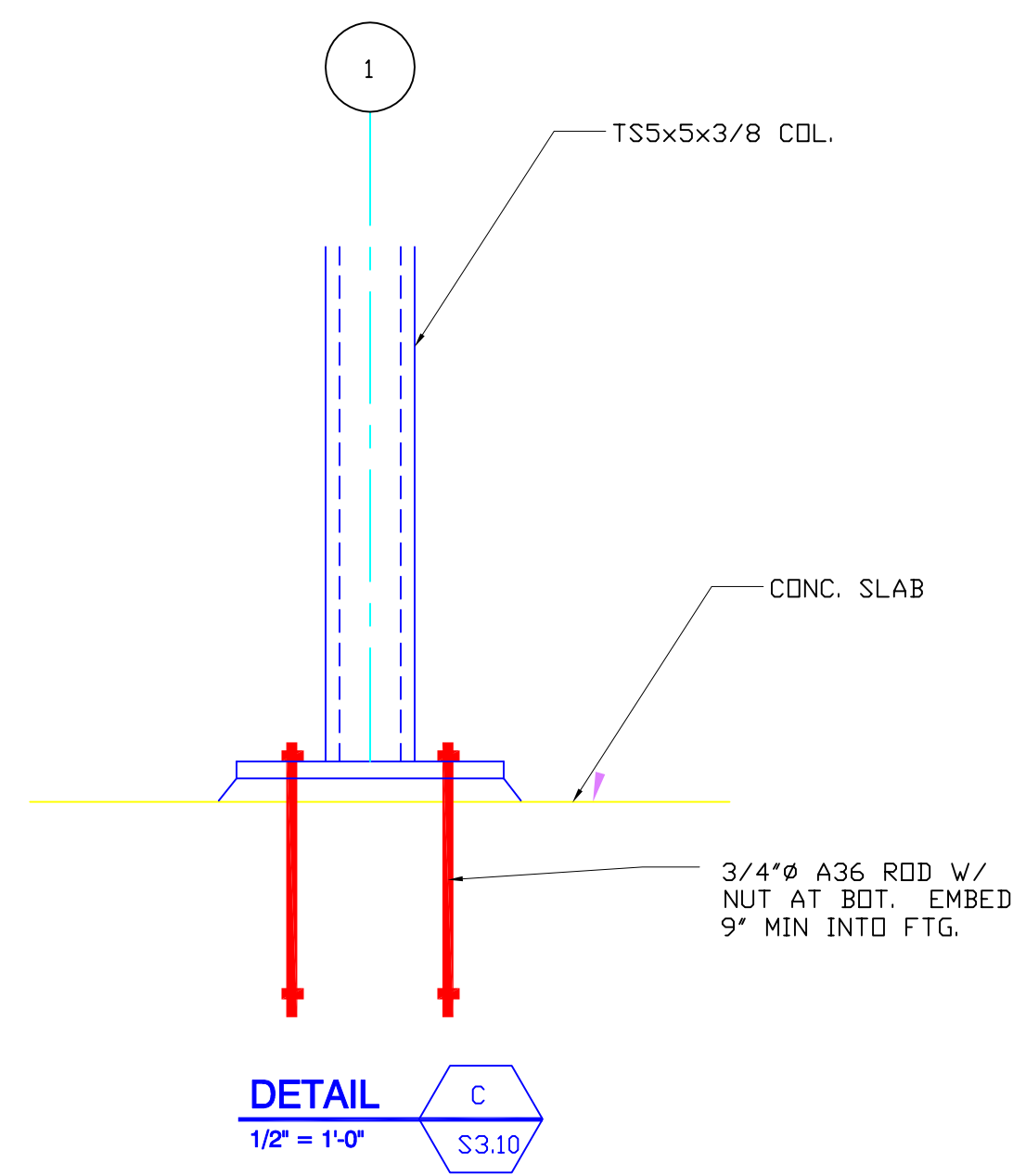
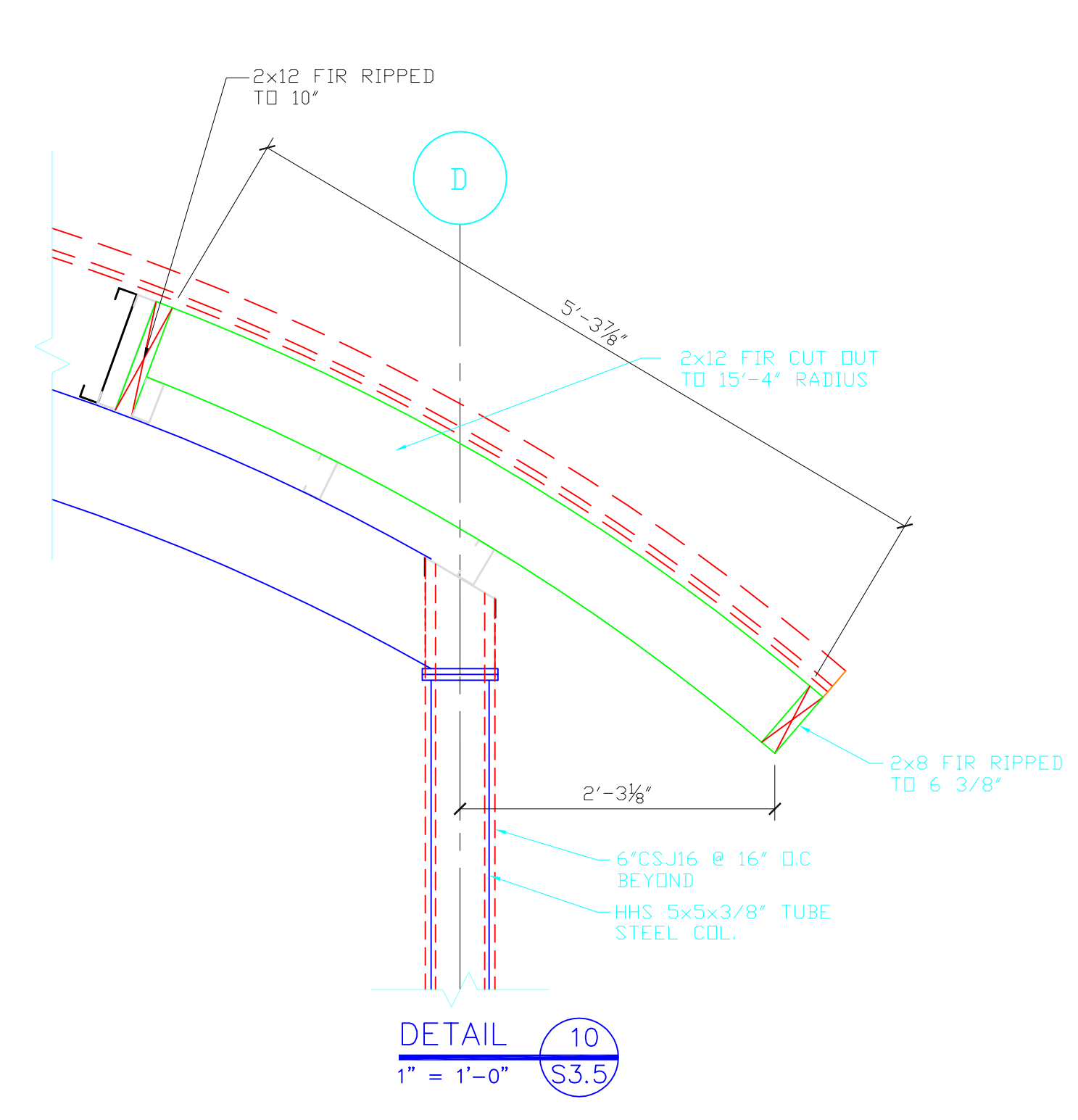
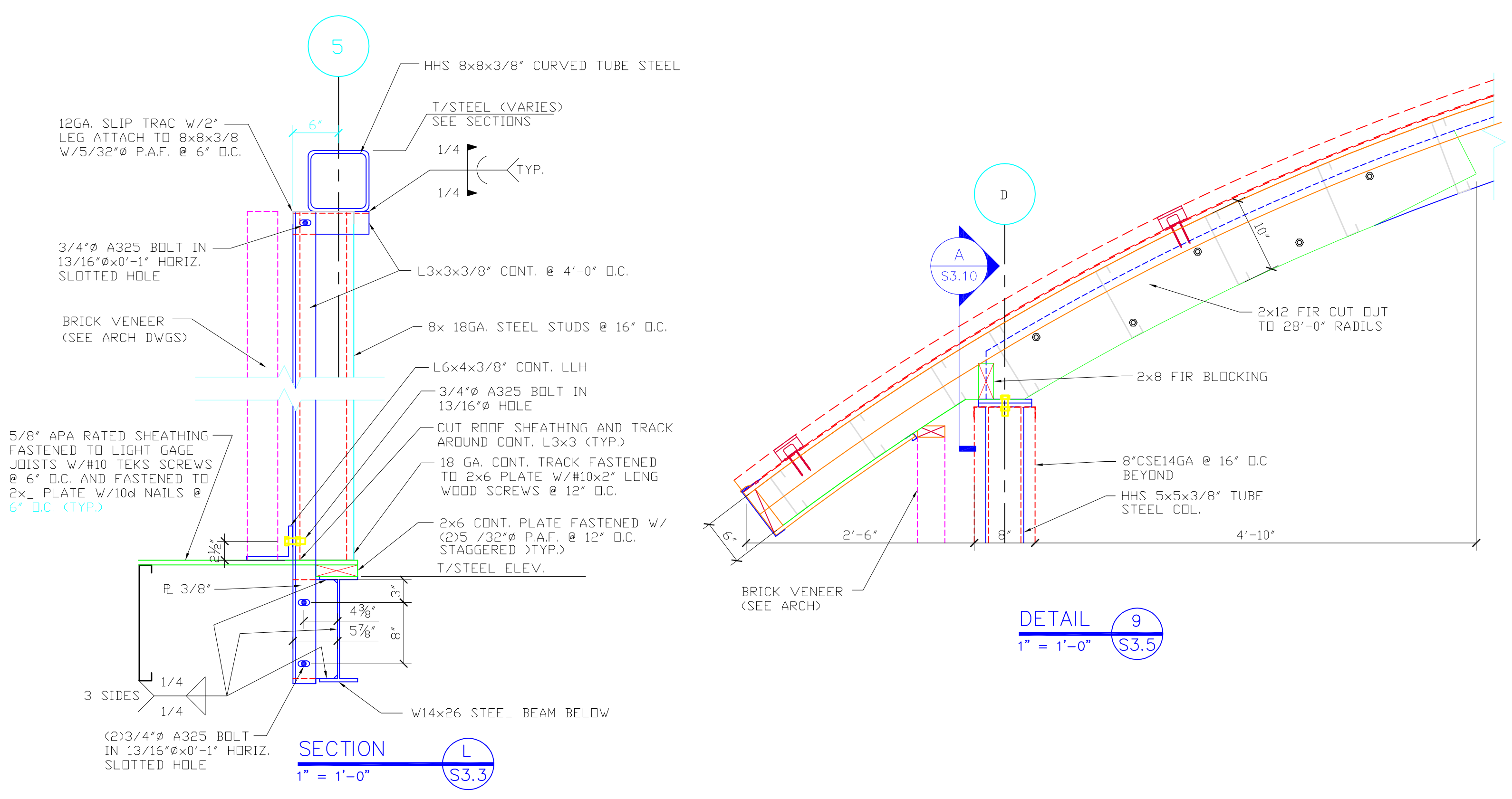
Date: 5-04-2005

Revisions:

- ▲
- ▲
- ▲
- ▲
- ▲
- ▲

Drawing Number:

**S3.9**



NOTES: 1. CONNECTIONS SHALL BE DESIGNED BY THE STEEL FABRICATOR FOR THE REACTIONS SHOWN ON THE BRACE ELEVATIONS.

NOTES: 1. CONNECTIONS SHALL BE DESIGNED BY THE STEEL FABRICATOR FOR THE REACTIONS SHOWN ON THE BRACE ELEVATIONS.