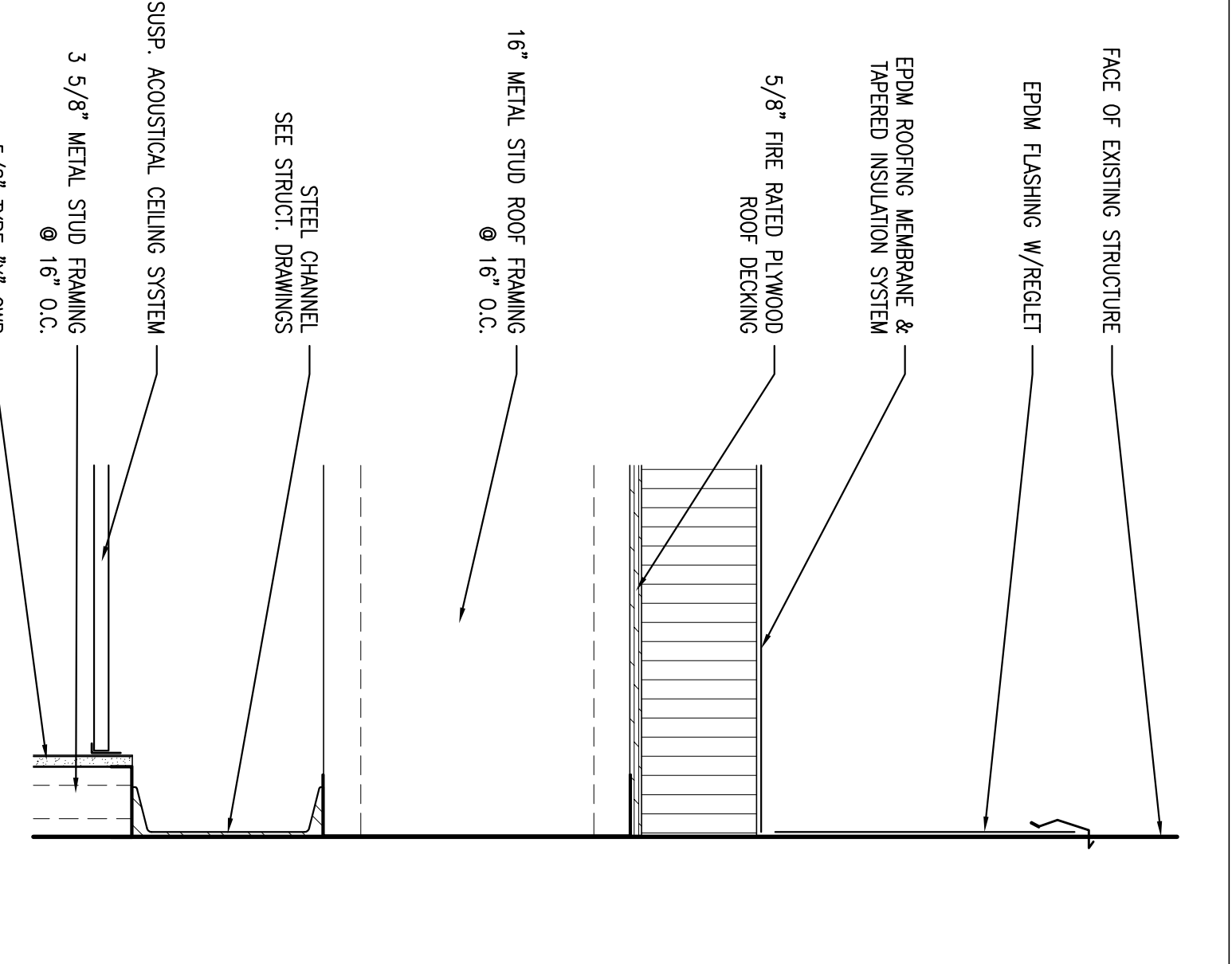
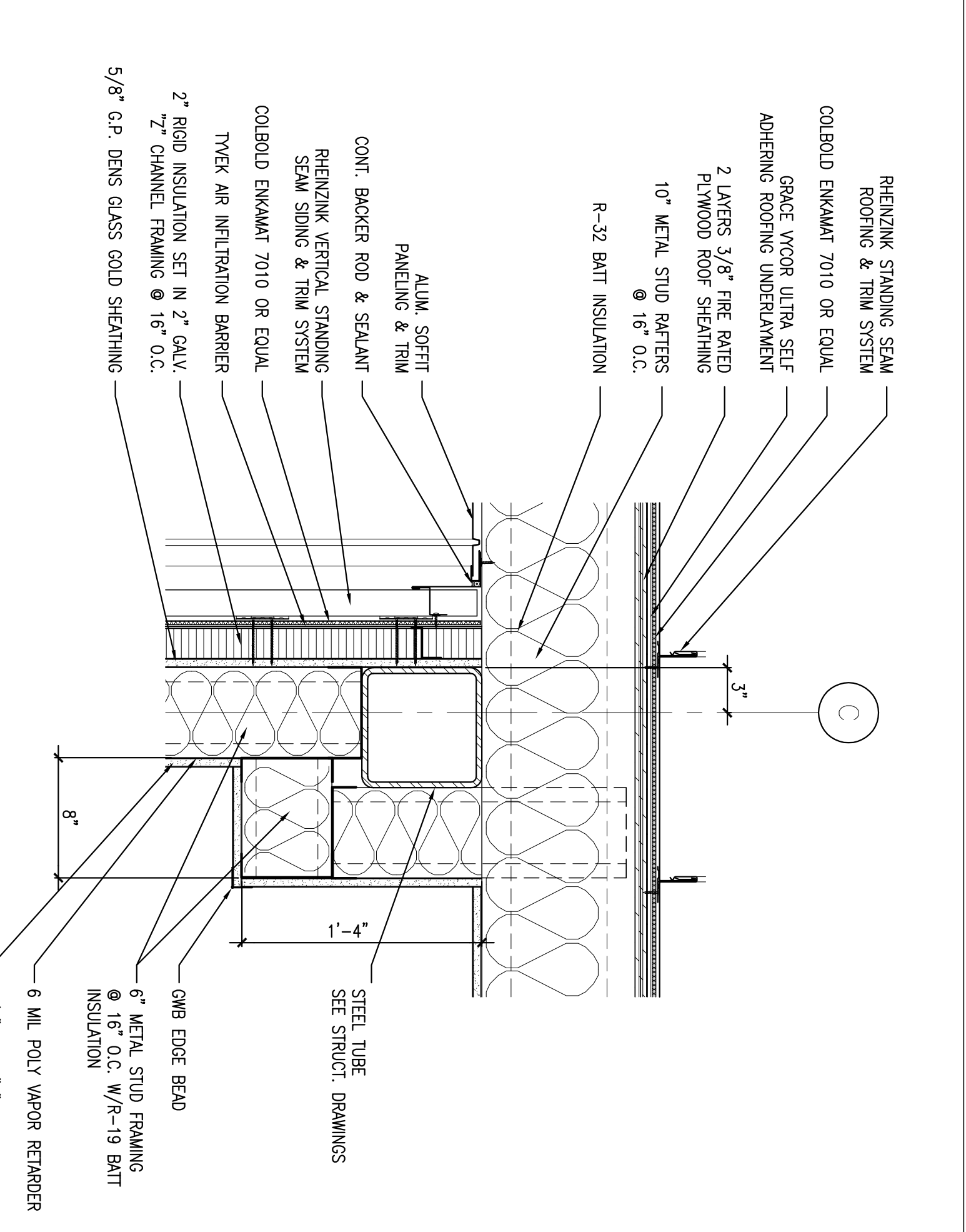


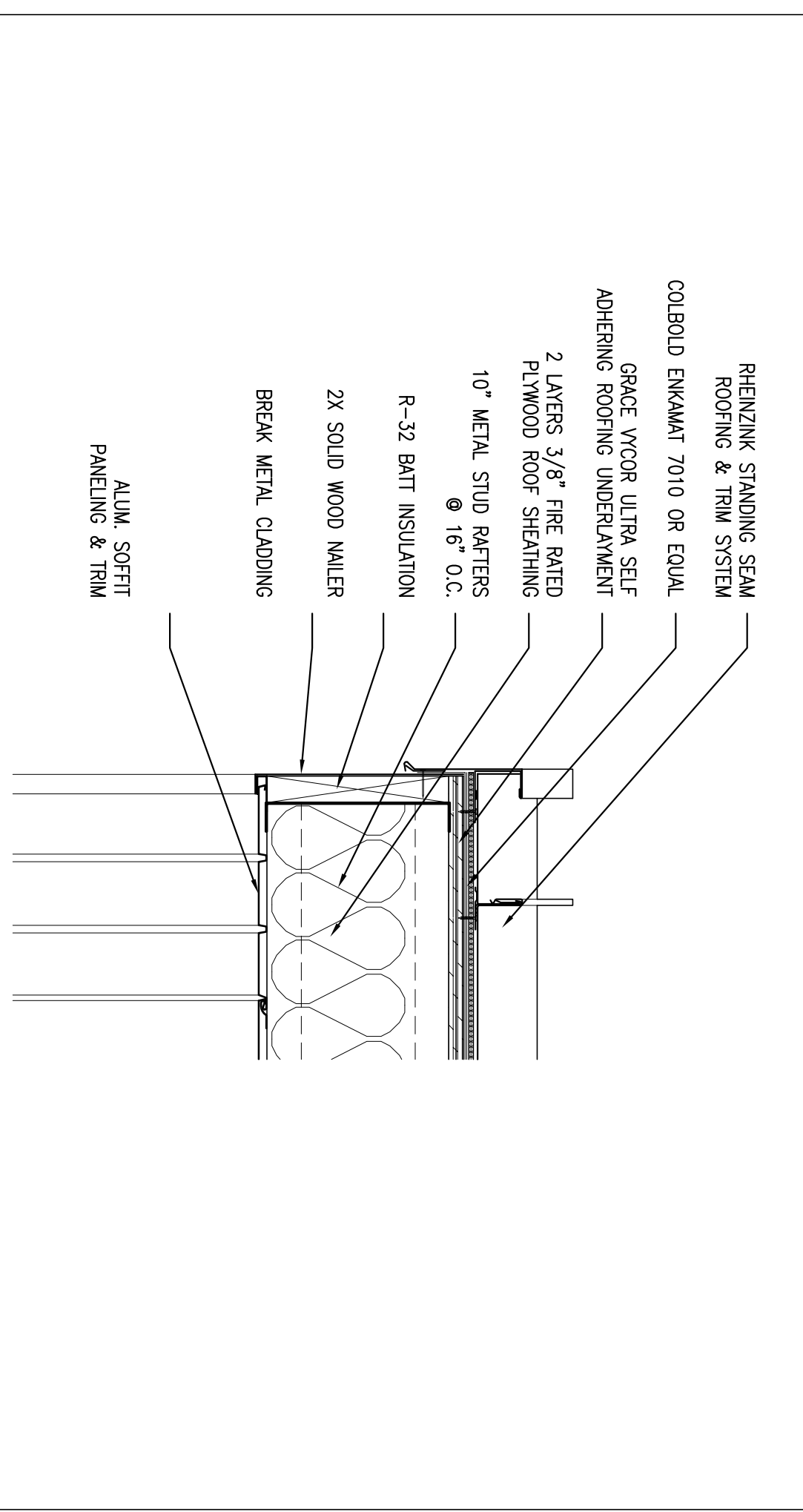
**1 GUTTER DETAIL AT ARCHED ROOF**  
 REFERENCED FROM:  
 SCALE: 1/2" = 1'-0"



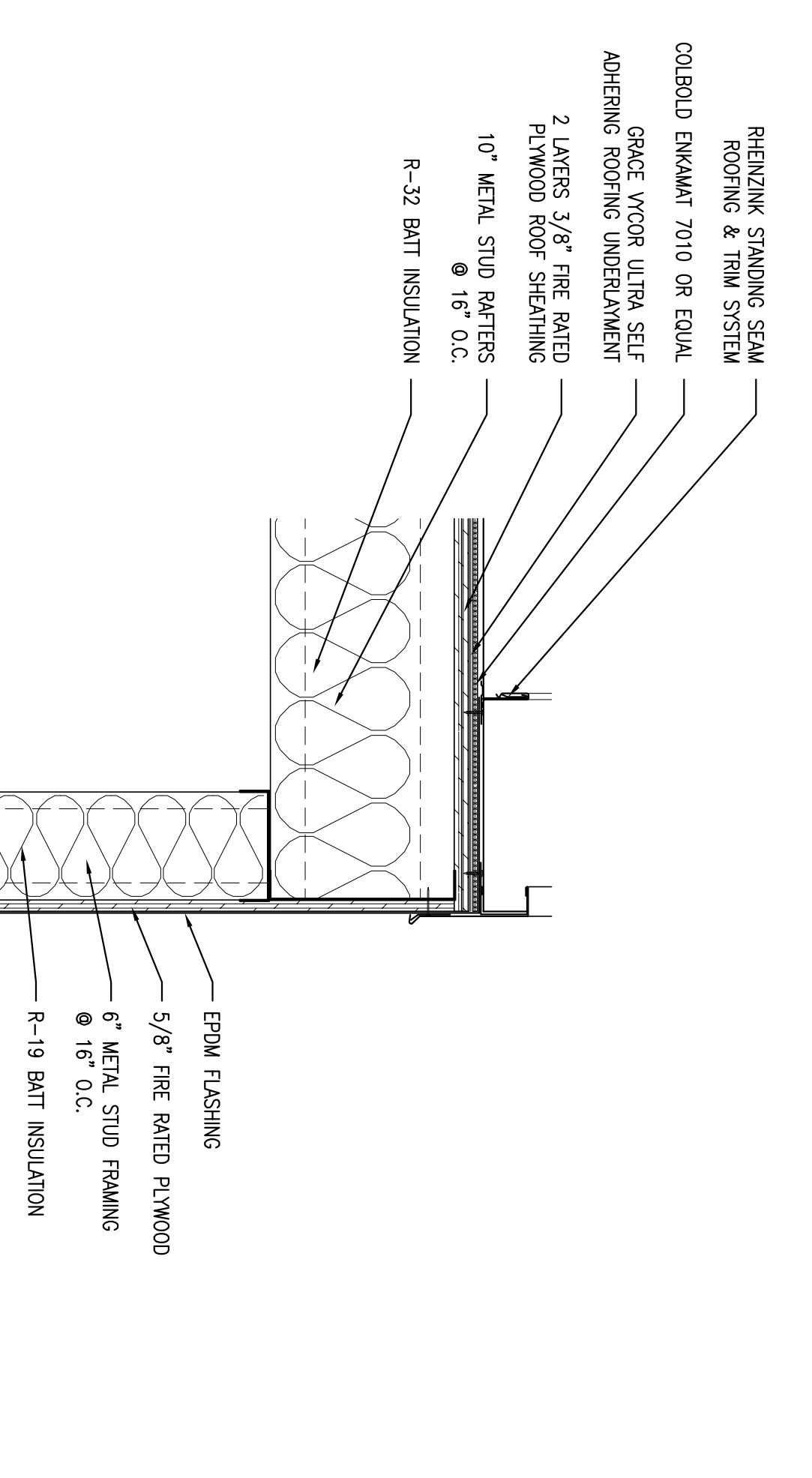
**2 DETAIL AT FLAT ROOF**  
 REFERENCED FROM:  
 SCALE: 1/2" = 1'-0"



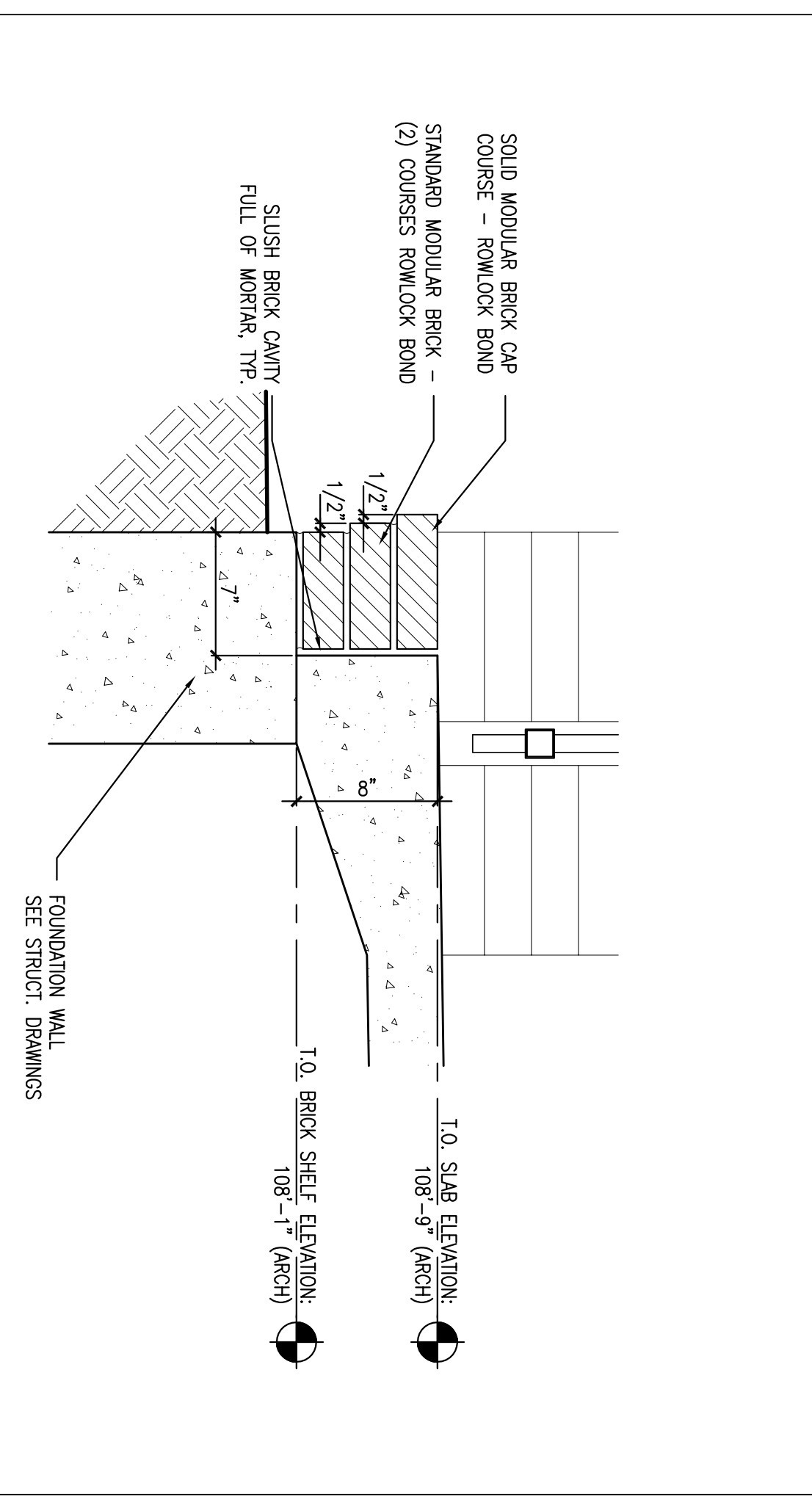
**3 DETAIL AT ARCHED 8" TUBE**  
 REFERENCED FROM:  
 SCALE: 1/2" = 1'-0"



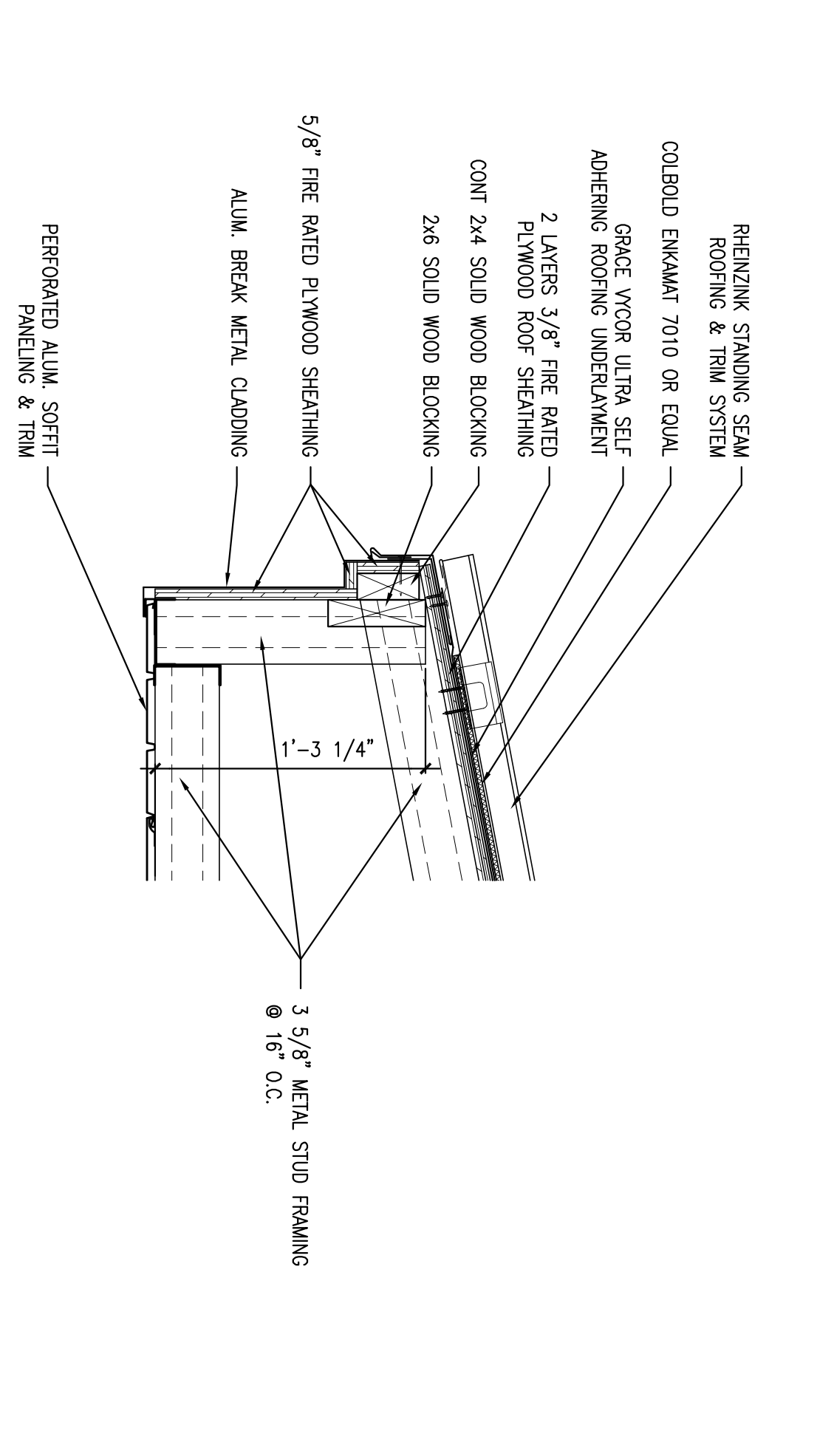
**4 ROOF EDGE DETAIL AT ARCHED ROOF**  
 REFERENCED FROM:  
 SCALE: 1/2" = 1'-0"



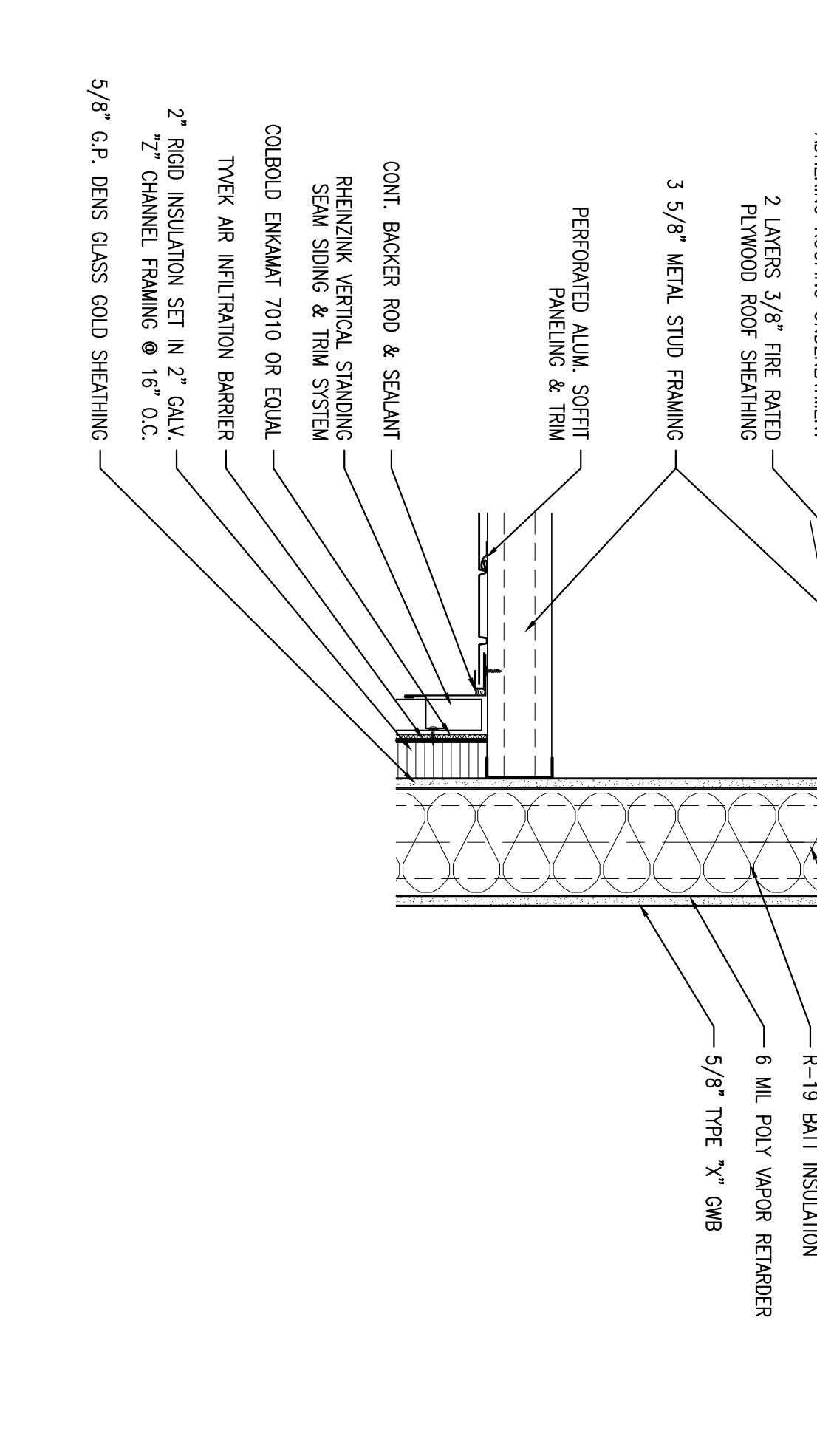
**5 ROOF EDGE DETAIL AT ARCHED ROOF**  
 REFERENCED FROM:  
 SCALE: 1/2" = 1'-0"



**7 PATIO EDGE DETAIL**  
 REFERENCED FROM:  
 SCALE: 1/2" = 1'-0"



**8 DETAIL AT CANOPY**  
 REFERENCED FROM:  
 SCALE: 1/2" = 1'-0"



**9 DETAIL AT CANOPY**  
 REFERENCED FROM:  
 SCALE: 1/2" = 1'-0"



**CWS Architects**  
 Architects  
 Space Planning  
 Value Design

434 Cumberland Avenue  
 Portland, ME 04101  
 Phone: (207)714-4441  
 Fax: (207)714-4018  
[www.CWSArch.com](http://www.CWSArch.com)

Owner:  
**GREATER PORTLAND YMCA**  
 6/6 Cumberland County YMCA  
 70 Forest Ave Portland, ME 04101  
 (207) 874-1111

Client:

**YMCA HIGH STREET ENTRY**  
 High Street - Portland, Maine

Product No: 04545use  
 Drawing Title:  
**MISC. DETAILS**

Scale: AS NOTED  
 Date: Progress 03/23/05  
 Revisions:  
 Drawing Number:  
**A7.5**