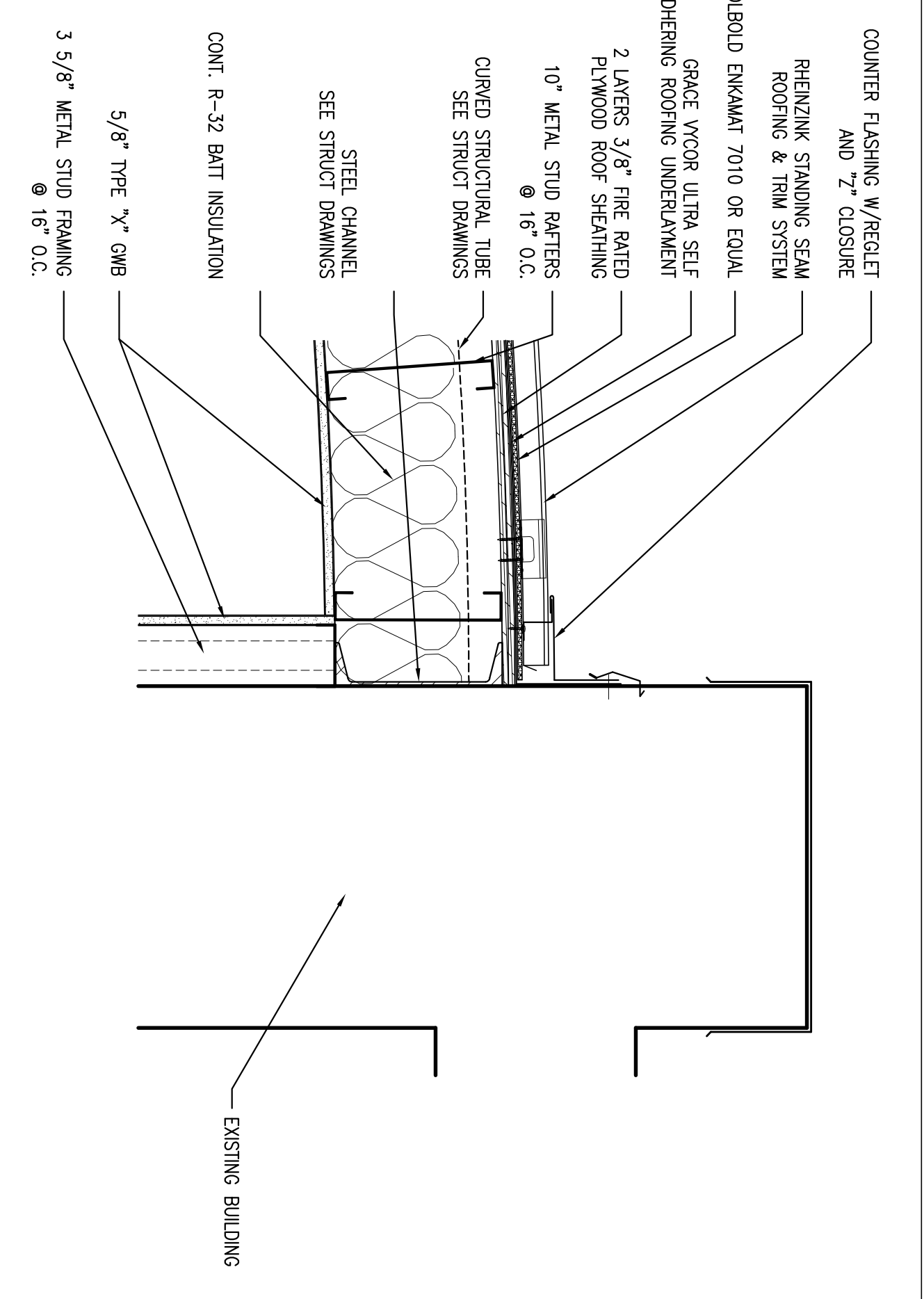
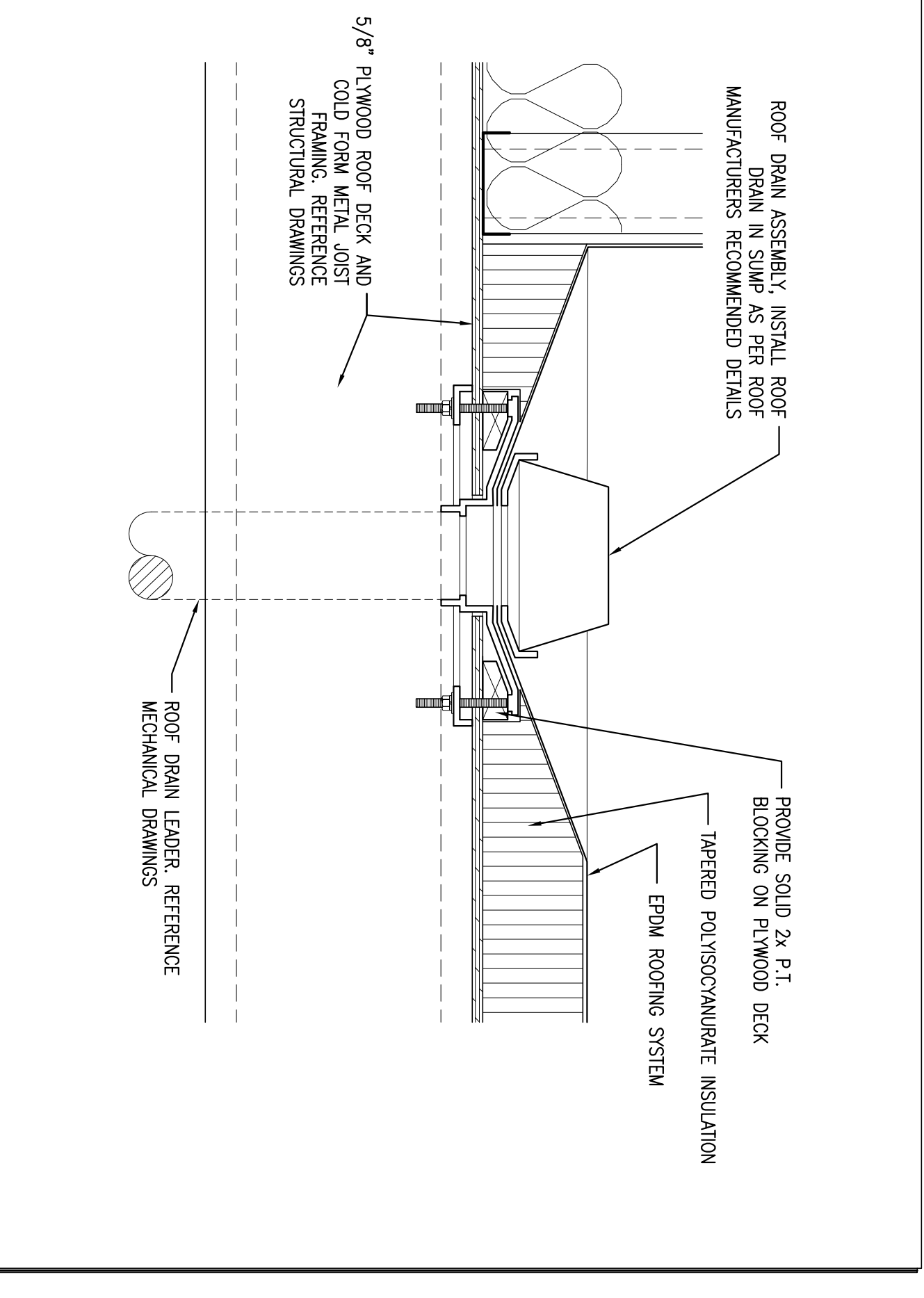


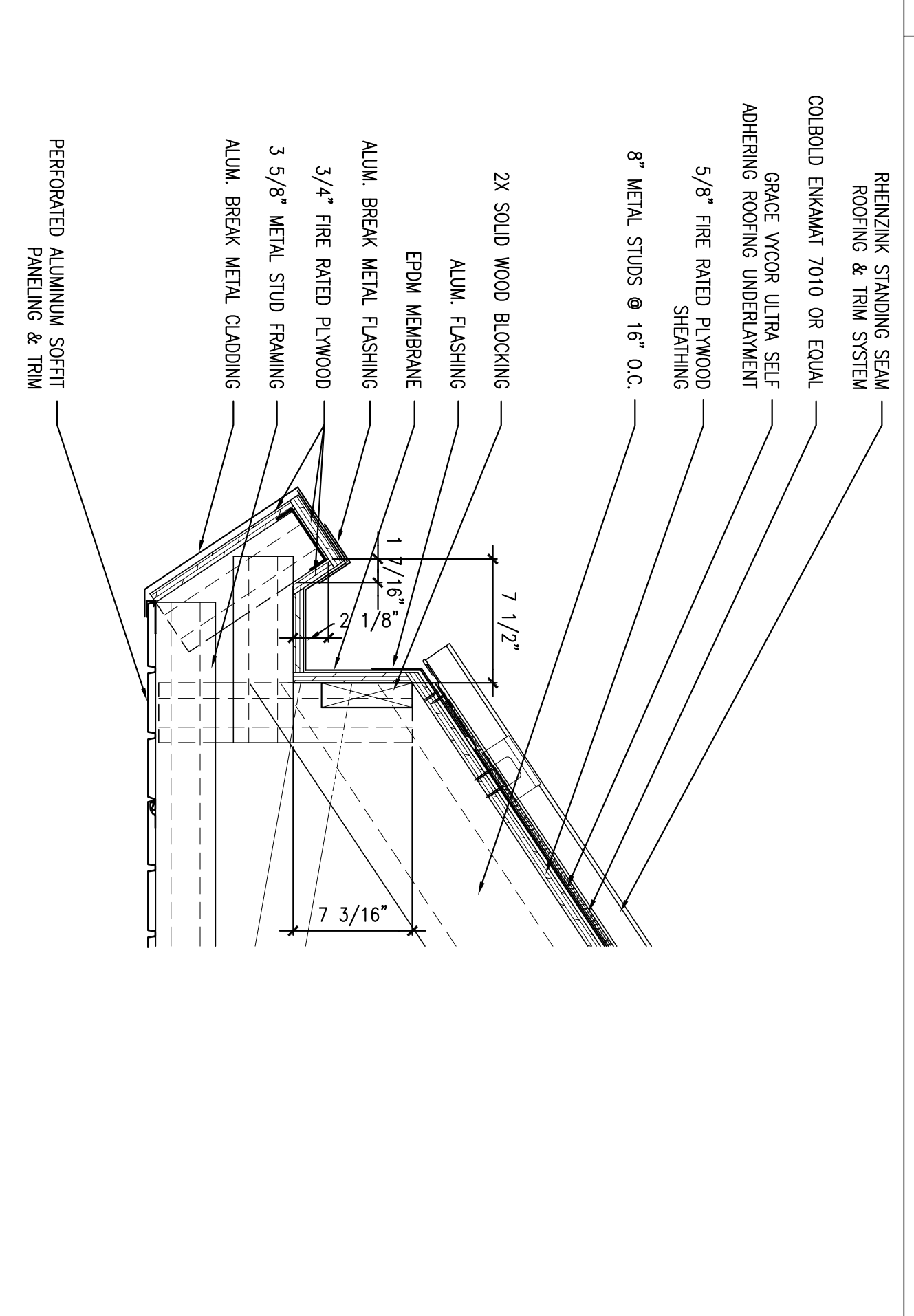
1 TOP OF PARAPET WALL DETAIL
 REFERENCED FROM: SCALE: 1/12" = 1'-0"



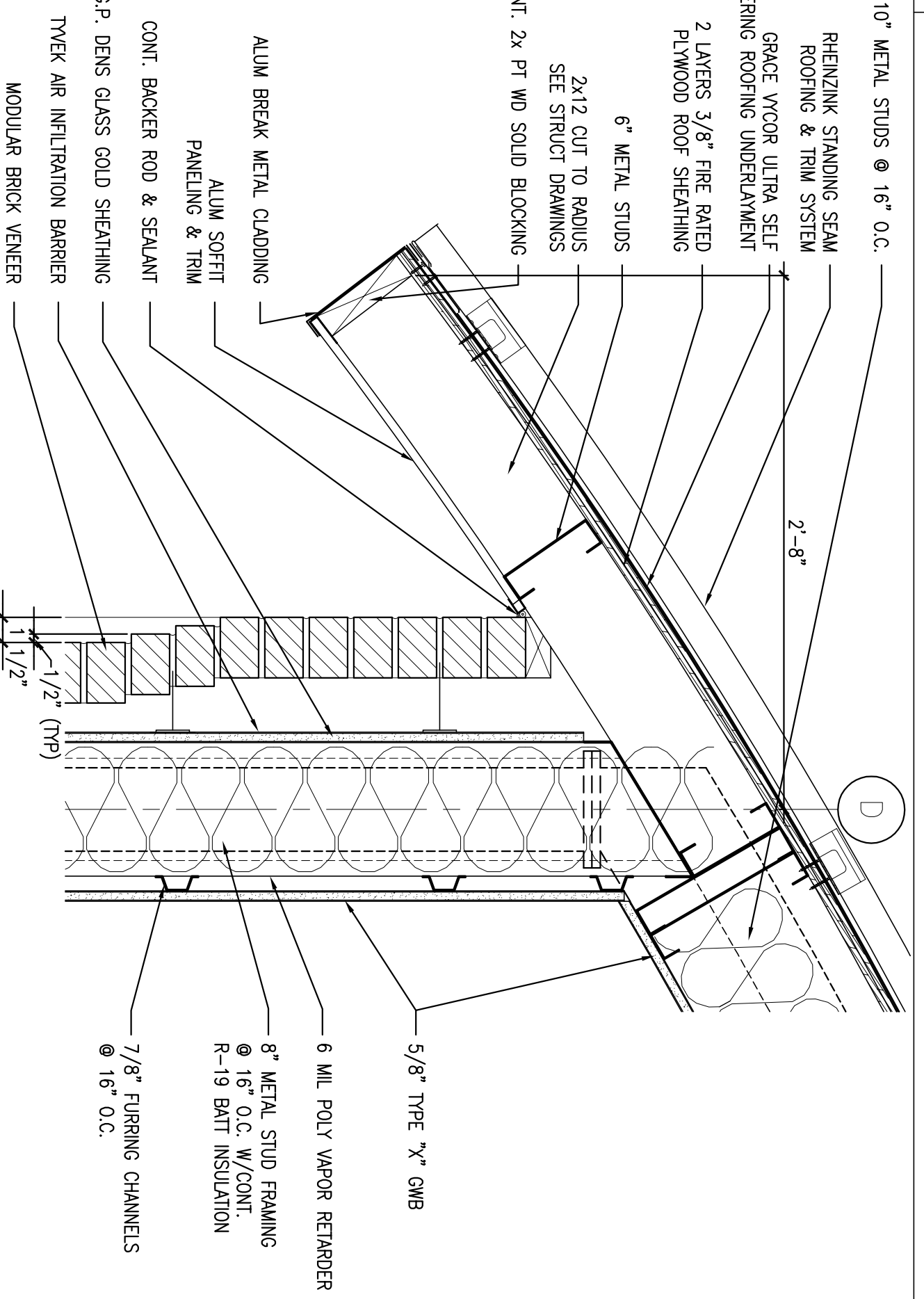
2 ROOF CONNECTION DETAIL
 REFERENCED FROM: SCALE: 1/12" = 1'-0"



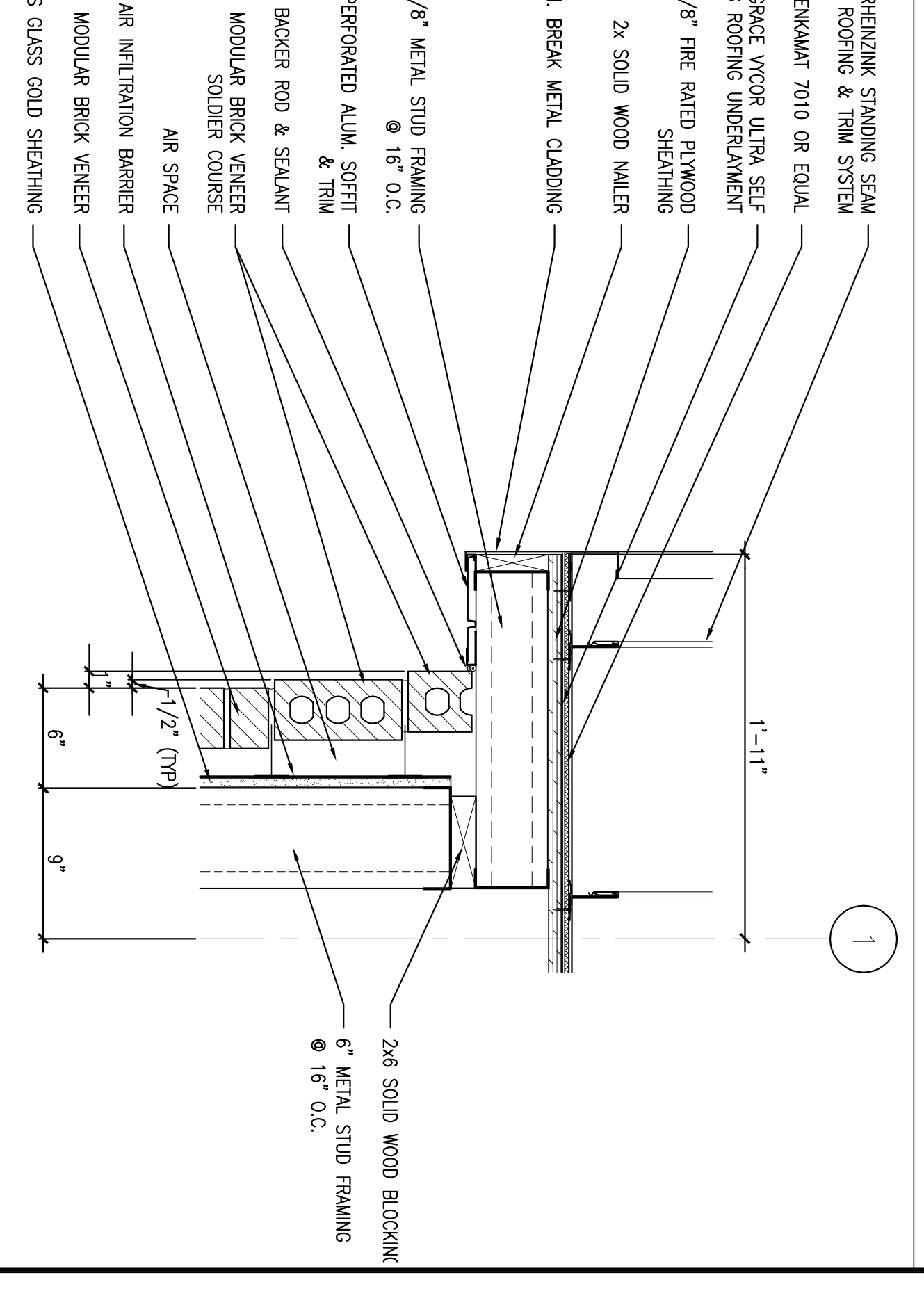
3 TYP. DETAIL AT ROOF DRAIN
 REFERENCED FROM: SCALE: 1/12" = 1'-0"



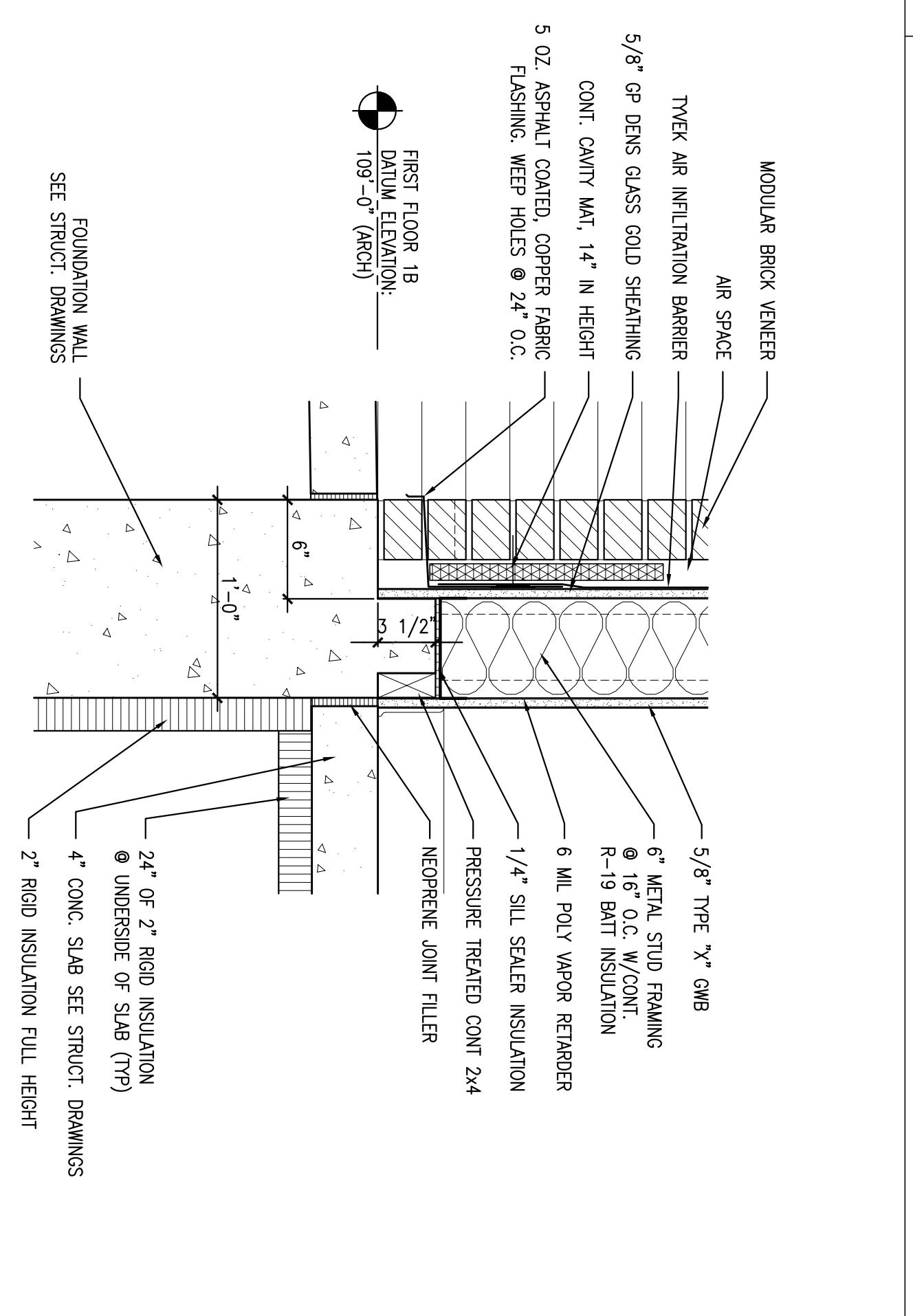
4 BUILT-IN GUTTER DETAIL
 REFERENCED FROM: SCALE: 1/12" = 1'-0"



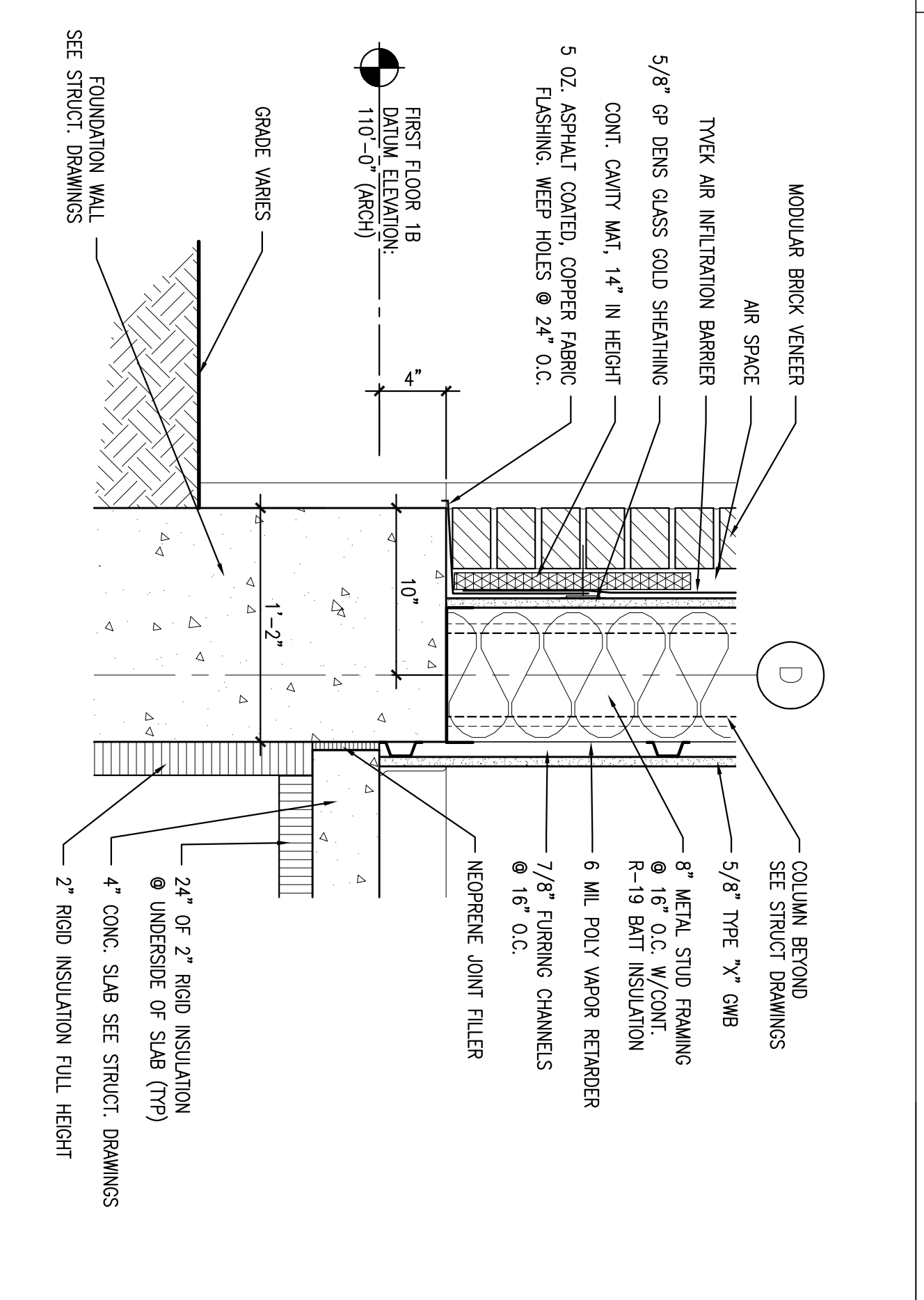
5 DETAIL @ ARCH ROOF EDGE
 REFERENCED FROM: SCALE: 1/12" = 1'-0"



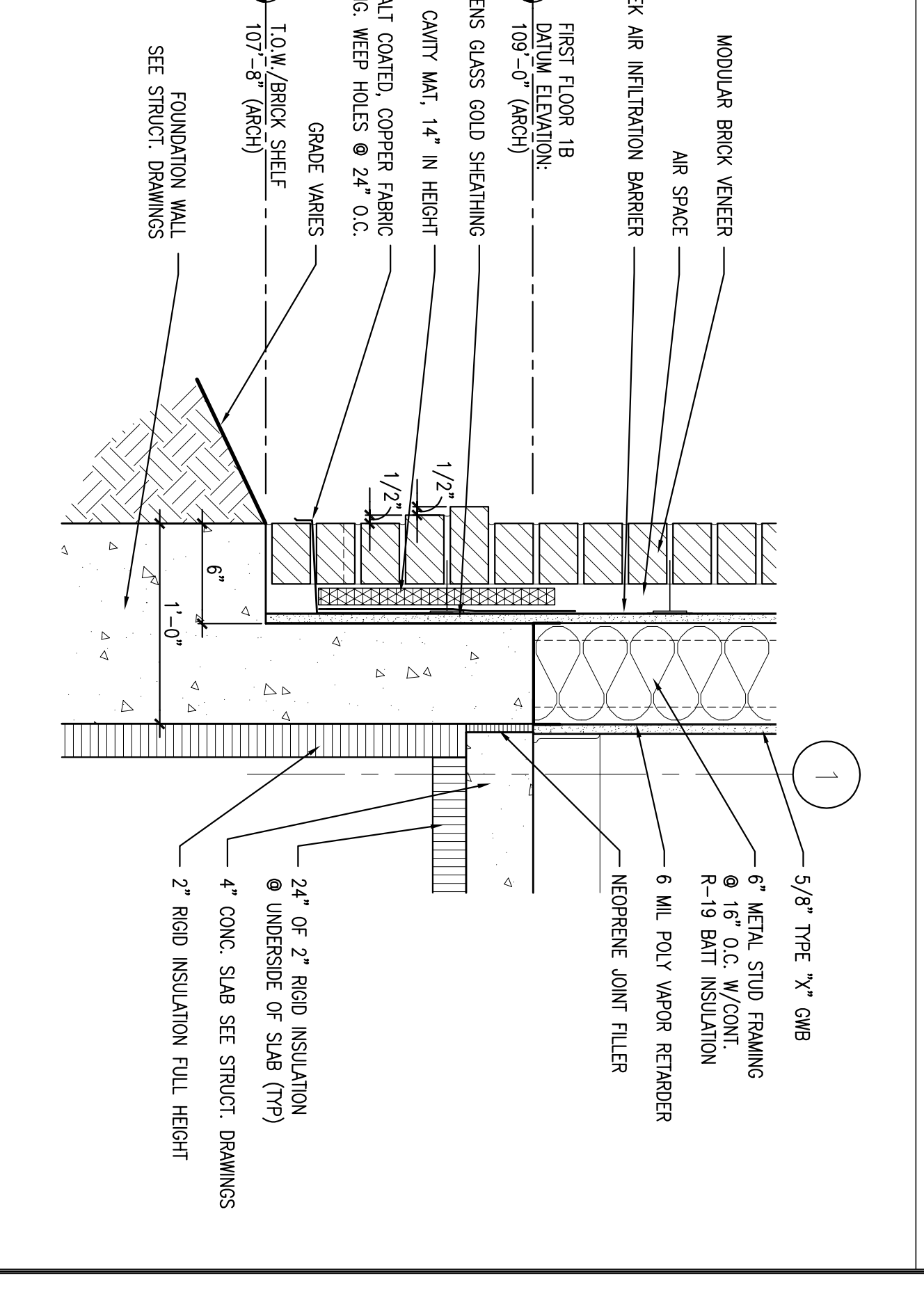
6 ROOF EDGE DETAIL
 REFERENCED FROM: SCALE: 1/12" = 1'-0"



7 BASE WALL DETAIL
 REFERENCED FROM: SCALE: 1/12" = 1'-0"



8 BASE WALL DETAIL
 REFERENCED FROM: SCALE: 1/12" = 1'-0"



9 BASE WALL DETAIL
 REFERENCED FROM: SCALE: 1/12" = 1'-0"

CWS Architects
 Architects
 Space Planning
 Value Design
 434 Cumberland Avenue
 Portland, ME 04101
 Phone: (207)774-4441
 Fax: (207)774-0018
 www.CWSArch.com

GREATER PORTLAND YMCA
 c/o Cumberland County YMCA
 70 Forest Ave Portland, ME 04101
 (207) 874-1111
 Owner
 Client

YMCA HIGH STREET ENTRY
 High Street - Portland, Maine

Project No: 0465458
 Drawing Title: **MISC. DETAILS**

Scale: AS NOTED
 Date: Progress 03/23/05
 Revisions:

Drawing Number: **A7.3**

ISSUED FOR PERMITTING & PRICING 05/12/05